

WOOD FIREPLACE


COLLECTION



Valecourt



Information in this brochure is for reference only. Some changes may have been made to the products or technical data after the publication of this brochure. Valcourt reserves the right to modify its products without any obligation on its part.



FOR AMBIANCE	6
FP1LM - MANOIR	8
FP7D - ANTOINETTE	10
FP11D - FRONTENAC	12
FP16D - ST-LAURENT	14
FOR PERFORMANCE	18
FP10R - LAFAYETTE II	20
FP10RS - LAFAYETTE II - SQUARE	22
FP12R - MUNDO II	24
FP15 - WATERLOO	26
FP15A - WATERLOO - ARCHED	28
FP18 - DALLAIRE	30
TECHNICAL DATA	32
HEATING CALCULATOR	43
MANUFACTURERS, BRANDS AND TYPES OF APPROVED CHIMNEYS	44
HEAT DISTRIBUTION SYSTEMS	46
ACCESSORIES	48
WARRANTY	50



OUR STORY

A tradition of excellence, for more than 60 years.

It all started in 1958, when brothers Auguste and Lucien Valcourt founded the company Valcourt et Frère Enr. Very talented, they first stood out in the manufacture of stairs and wrought iron balconies that adorned the most beautiful homes of Quebec. Guided by his creativity, Auguste began in 1975 the manufacture of custom fireplace doors and slowly relinquished stairs and balconies. Once again, the quality of the products offered allowed the company to stand out in this new adventure.

It was in 1992 that Valcourt discovered its true vocation and manufactured its first wood fireplace: the Manoir. Just as popular with consumers as with industry experts, this model has been replicated by multiple manufacturers without ever being matched. A few years later, Valcourt innovated again with its legendary guillotine fireplace, called Antoinette. Very first guillotine fireplace on the market, this model is the pioneer of this type and was a major success. Over the years, the fireplace industry has undergone many changes in environmental standards that have imposed increasingly severe restrictions. Living up to its previous successes, Valcourt has brilliantly met these new challenges and launched in 2015 the largest fireplace on the market that meets the EPA requirements.

Guided by endless creativity and the desire to offer the best to its customers, Valcourt continues this tradition of excellence and presents in 2020 a whole new range of gas fireplaces.

Fire, by Valcourt.

A person wearing a patterned poncho stands on a wooden railing, looking out over a vast, snow-covered forest. The scene is misty and atmospheric, with snow falling or melting. The railing is covered in snow, and a large evergreen tree branch hangs down from the top left corner.

Decorative fireplaces

for ambiance



The main purpose of these fireplaces is the ambiance and comfort of a wood fire, with doors opened or closed. If needed, they are also an alternate source of heat.

MANOIR

FP1LM

The Manoir is the updated version of Valcourt's very first fireplace. The steel framed double doors and ceramic glass are second to none; they slide effortlessly and without special tools into each side of the fireplace, allowing for an exceptional view of the crackling flames.

This fireplace will allow you to be creative when designing your decor thanks to its faceplate options available in different finishes. In addition, you will benefit from the maximum heat of the Manoir thanks to its included fan and the heat distribution options (forced air or gravity).

This model is
EPA QUALIFIED
 Under the LOW MASS
 Wood-Burning Fireplace Program **PHASE 2**
 EMISSION LEVEL

Faceplate –
modern



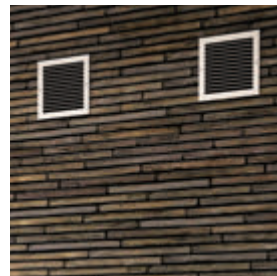
VAIFE05

Faceplate –
traditional



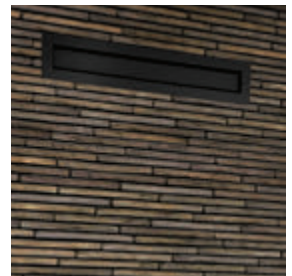
VAIFE06

Hot air gravity kit –
traditional



AC01375

Hot air gravity kit –
modern



AC01376



— ANTOINETTE

FP7D

The Antoinette wood fireplace redefines comfort and style with its modern and streamlined design. Featuring clean lines and a spacious glass surface, it provides a stunning view of the flames, adding warmth to your relaxation moments. Its versatile design seamlessly adapts to any interior configuration, creating a welcoming and sophisticated ambiance.

The standout feature of this wood fireplace is its ingenious guillotine-style door and spark guard system. Crafted with exceptional attention to detail and premium materials, this mechanism allows for smooth and effortless operation. The door and firescreen, equipped with a removable handle, discreetly slide under the hearth, providing easy and secure access to fuel the fire.

While primarily designed for ambiance, the Antoinette effectively reduces particle emissions, meeting Phase II EPA voluntary program standards. It is 70% cleaner than uncertified traditional decorative fireplaces, offering a cozy atmosphere without compromising air quality.

This model is
EPA QUALIFIED
Under the LOW MASS
Wood-Burning Fireplace Program **PHASE 2** EMISSION LEVEL

Masonry trim



VA7DTR

Narrow overlap



VA7FE06

Moulded refractory
brick panels –
contemporary

VA707IM

Moulded refractory
brick panels –
classic

VA707IBR



FRONTENAC

FP11D

The Frontenac wood fireplace combines elegance and modernity, creating a warm and refined ambiance. Its minimalist and sleek faceplate adds a sophisticated touch to any interior, enhancing the space with contemporary aesthetics. It stands out with its imposing size and large 972 in² glass surface, offering a captivating view of dancing flames.

The highlight of this wood fireplace is its ingenious guillotine-style door and firescreen system. Designed with exceptional attention to detail and superior materials, this mechanism allows for smooth and effortless operation. The door and firescreen, equipped with a removable handle, discreetly slide under the hearth, providing easy and secure access to the fire.

While primarily designed for ambiance, the Frontenac effectively reduces particle emissions, qualifying for Phase II of the EPA's voluntary program. It is 70% cleaner than uncertified decorative fireplaces, offering a cozy atmosphere without compromising air quality.

This model is
EPA QUALIFIED
Under the LOW MASS
Wood-Burning Fireplace Program
PHASE 2
EMISSION
LEVEL

Moulded vermiculite
panels –
Herringbone



VA11071H

Moulded brick
panels –
contemporary



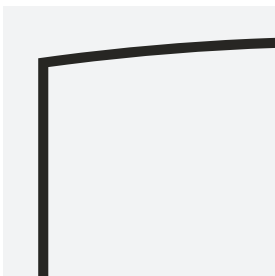
VA11071M

Moulded brick
panels –
classic



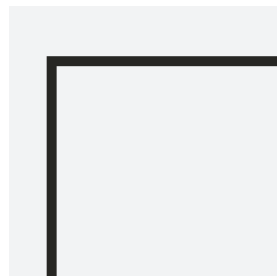
VA11071BR

Masonry trim –
arched



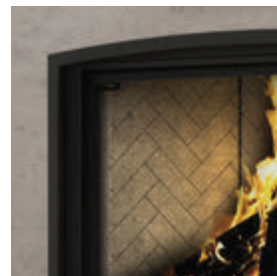
VA11DTA

Masonry trim –
straight



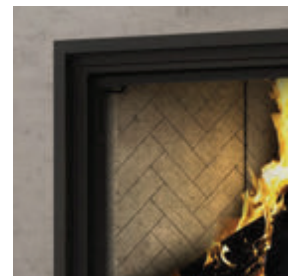
VA11DTR

Narrow overlap –
arched



VA11FA06

Narrow overlap –
straight



VA11FE06



Decorative fireplaces

— ST-LAURENT

FPI6D

The Saint-Laurent wood fireplace stands out with its linear design and wide panoramic glass surface, offering an exceptional view of the flames. Designed to maximize the visual experience, the elongated rectangular shape of the Saint-Laurent adds a modern and elegant touch to any interior.

The highlight of this wood fireplace is its ingenious guillotine-style door and firescreen system. Designed with exceptional attention to detail and superior materials, this mechanism allows for smooth and effortless operation. The door and firescreen, equipped with a removable handle, discreetly slide under the hearth, providing easy and secure access to the fire.

While primarily designed for ambiance, the Saint-Laurent effectively reduces particle emissions, qualifying for Phase II of the EPA's voluntary program. It is 70% cleaner than uncertified decorative fireplaces, offering a cozy atmosphere without compromising air quality.

This appliance is
**EPA
exempt**

Masonry trim



VA16DTR

Narrow overlap



VA16FE06

Moulded brick panels – contemporary



VA1607IM



Decorative fireplaces




PROUDLY CANADIAN.

Proudly established in Canada since 1991, Valcourt is a local business for which fireplaces are a true vocation.

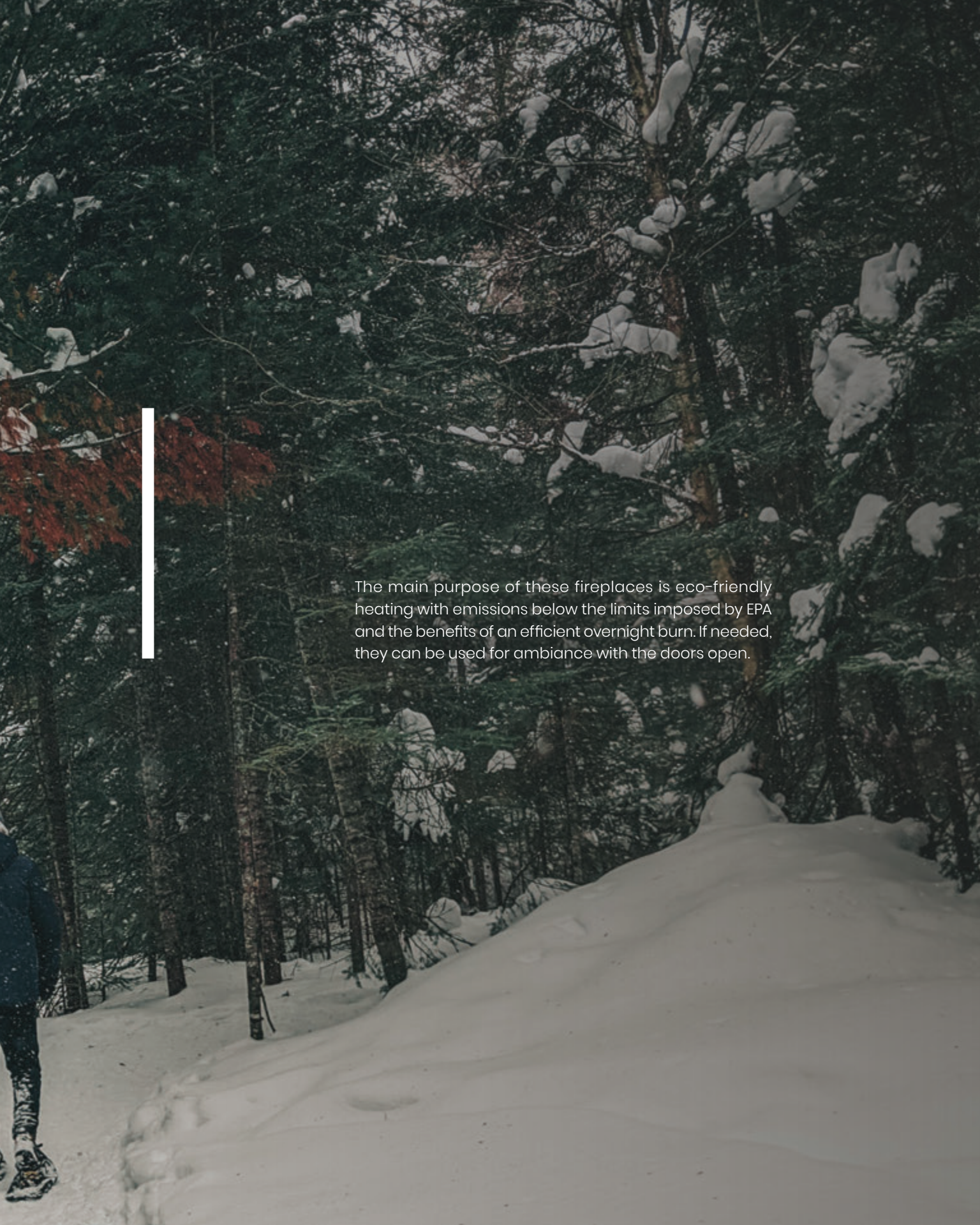
Choosing a Valcourt fireplace means prioritizing the quality of the finish and materials, the manufacturing robustness and the durability stemming from undeniable know-how. As a Valcourt customer, you will benefit from local after-sales support that meets your expectations, provided by a network of expert retailers, in collaboration with our experienced team.

As a Canadian manufacturer, it is also important for us to use quality raw materials by sourcing from local partners. More than 90% of our raw materials come from North America, most notably steel.



High-efficiency wood fireplaces

for performance



The main purpose of these fireplaces is eco-friendly heating with emissions below the limits imposed by EPA and the benefits of an efficient overnight burn. If needed, they can be used for ambiance with the doors open.

LAFAYETTE II

FP10R

Like the great French general, the Valcourt team has been able to use its tactical skills to upgrade this non-catalytic unit, so that it perfectly combines the new heating technology with all its elegance.

Customize your fireplace: five faceplate louvers as well as black or brushed nickel door overlays are available to enhance your decor. In addition to offering a distinctive look, the appliance follows the most restrictive EPA regulations, making it the fireplace of choice for those who want to use wood as a renewable and clean source of heat.

EPA

Door overlay –
black



VA10RE07

Door overlay –
brushed nickel



VA10RE40

Black arched
faceplate



VA10FA07

Faceplate louver –
crown



VA10L10

Faceplate louver –
classic



VA10L06

Faceplate louver –
arabesque



VA10L07

Faceplate louver –
urban



VA10L08

Faceplate louver –
mission



VA10L09



LAFAYETTE II SQUARE

Like the great French general, the Valcourt team has been able to use its tactical skills to upgrade this non-catalytic unit, so that it perfectly combines the new heating technology with all its elegance.

FPIORS

Customize your fireplace: five faceplate louvers as well as black or brushed nickel door overlays are available to enhance your decor. In addition to offering a distinctive look, the appliance follows the most restrictive EPA regulations, making it the fireplace of choice for those who want to use wood as a renewable and clean source of heat.

EPA

Door overlay –
black



VAI0RES07

Door overlay –
brushed nickel



VAI0RES40

Black square
faceplate



VAI0FS07

Faceplate louver –
crown



VAI0LS10

Faceplate louver –
classic



VAI0LS06

Faceplate louver –
arabesque



VAI0LS07

Faceplate louver –
urban



VAI0LS08

Faceplate louver –
mission



VAI0LS09



High-efficiency fireplaces

MUNDO II

FP12R

With its sleek lines and refined look, the Mundo II completely redefines the true nature of wood heating. Its modern design perfectly combines functionality, comfort and safety. Environmentally-friendly, this non-catalytic fireplace is EPA certified with an incredibly low particle emissions rate.

The hot air gravity kit available with the Mundo II will allow you to harness all the power from this incredible fireplace while respecting the contemporary lines of your decor. The most serious user can also install a forced air kit which will allow for better and more efficient heat transfers to rooms located further from the fireplace.

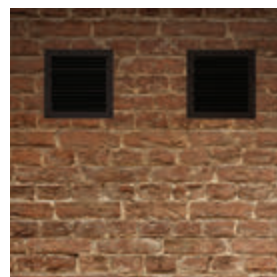


Available with
ROBAX® NightFlame glass



AC02773

Hot air gravity kit –
traditional



AC01375K

Hot air gravity kit –
modern



AC01389K



WATERLOO

FP15

The largest model in our high-efficiency series, the Waterloo wood-burning fireplace is an additional heating source whose style is just as remarkable as its performance. Adorned with a crown-style faceplate, the Waterloo offers an impressive view of the flames. Behind its large glass doors, the firebox can hold a very large amount of wood to heat large spaces and burn for up to 11 hours on a single load.

The Waterloo's smart air control system (patented) has been specifically designed to optimize combustion efficiency. Once the appliance is on and running, the combustion rate must be slowed down by manually closing the primary air damper. Then, when the system detects that the optimum combustion temperature has been reached, it automatically closes the second primary air damper and adjusts the secondary air control. Once the system is closed, it is possible to modulate the level of combustion by adjusting the auxiliary air control.



Available with
ROBAX® NightFlame glass



AC02771

Moulded brick
panels – classic



AC02360

Faceplate –
crown



VAI5FL07



High-efficiency fireplaces

— WATERLOO ARCHED

The largest model in our high-efficiency series, the Waterloo wood-burning fireplace is an additional heating source whose style is just as remarkable as its performance. Adorned with a faceplate that suits your style, the Waterloo offers an impressive view of the flames. Behind its large glass doors, the firebox can hold a very large amount of wood to heat large spaces and burn for up to 11 hours on a single load.

The Waterloo's smart air control system (patented) has been specifically designed to optimize combustion efficiency. Once the appliance is on and running, the combustion rate must be slowed down by manually closing the primary air damper. Then, when the system detects that the optimum combustion temperature has been reached, it automatically closes the second primary air damper and adjusts the secondary air control. Once the system is closed, it is possible to modulate the level of combustion by adjusting the auxiliary air control.

FP15A



Façade arquée
noire



VA15FA07

Moulded brick panels –
classic



AC02360

Available with
ROBAX® NightFlame glass



AC02772

Faceplate louver –
classic



VA15L06

Faceplate louver –
arabesque



VA15L07

Faceplate louver –
urban



VA15L08

Faceplate louver –
mission



VA15L09



DALLAIRE

FP18

Only available in Canada

Unique on the market, the Dallaire high-efficiency fireplace stands out thanks to its double retractable cast iron doors. These are slid on each side of the combustion chamber to free up the space in front of the appliance and offer a clear view of the flames. Used with its doors closed, the Dallaire is perfect for heating your space. It can also be used in ambiance mode all year round with the retractable doors opened and a firescreen door (optional) to fully enjoy the fire.

The perfect complement to the Valcourt line of high-efficiency fireplaces, the Dallaire offers five choices of louvers to customize your appliance's faceplate and match your decor. Thanks to its efficient double combustion certified according to the strictest environmental standards, this fireplace provides a clean and comfortable source of heat for spaces up to 2500 ft².

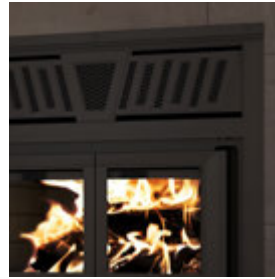


Black square faceplate



VA18FL07

Faceplate louver – crown



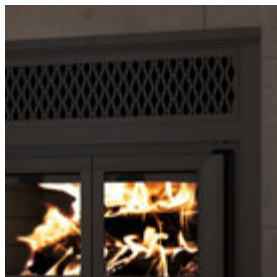
VA18L10

Available with ROBAX® NightFlame glass



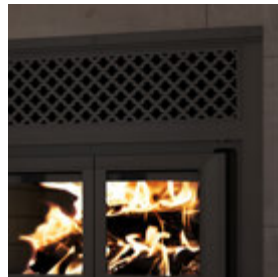
AC02774

Faceplate louver – arabesque



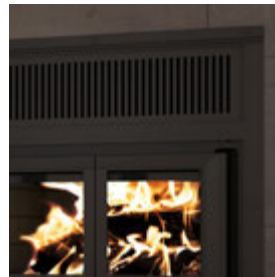
VA18L06

Faceplate louver – arabesque



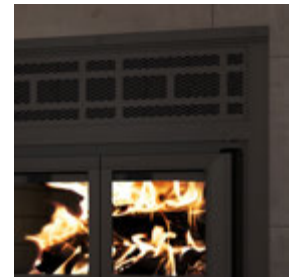
VA18L07

Faceplate louver – urban



VA18L08

Faceplate louver – mission



VA18L09



High-efficiency fireplaces



Technical Data



All the information you need to make an informed choice on the appliance that suits your needs. Discover the performance and general specifications of Valcourt fireplaces.

FP1LM

COLOR	Black
COMBUSTION TECHNOLOGY	Non catalytic
FIREBOX VOLUME (EXCLUDING GRATE OR ANDIRONS)	4.25 ft ³
DOOR TYPE	Double retractable, with steel frame
GLASS TYPE	Ceramic glass
MAXIMUM LOG LENGTH	20"
LOG POSITIONING	East / West
MINIMUM CHIMNEY HEIGHT (FROM THE BASE OF THE FIREPLACE)	15'
FRESH AIR INTAKE ADAPTER (DIAMETER)	Yes (4")
TEST STANDARD – SAFETY	ULC-S610 / UL127
TEST STANDARD – EMISSIONS	ASTM 2515 / ASTM 2558
EPA VOLUNTARY PROGRAM – EMISSIONS (ASTM 2515 / ASTM 2558)	2.9 g/kg
CLEARANCES TO COMBUSTIBLE MATERIALS	
COMBUSTIBLE SHELF (FROM THE BASE OF THE FIREPLACE)	48"
SIDE MANTLE ⁽¹⁾	8"
SIDE WALL ⁽²⁾	24"
WEIGHT	236 kg (520lb)
WARRANTY	Lifetime limited
REQUIRED ACCESSORIES	Faceplate – ① Traditional Modern
	②
	③
OPTIONS	Hot air gravity kit - Traditional Modern Forced air kit

FP7D

Black
Non catalytic
5.3 ft ³
Guillotine, with steel frame
Ceramic glass
18"
East / West
15'
Yes (4")
ULC-S610 / UL127
ASTM 2515 / ASTM 2558
4.2 g/kg

46"
0"
20"
238 kg (523 lb)
Lifetime limited

Faceplate –
Black narrow overlap

Masonry trim

Moulded brick panels –
Contemporary
Classic

FP11D

Black
Non catalytic
9.4 ft ³
Guillotine, with steel frame
Ceramic glass
30"
East / West
18'
Yes (4")
ULC-S610 / UL127
ASTM 2515 / ASTM 2558
4.2 g/kg

52"
8"
20"
417 kg (920 lb)*
Lifetime limited

Faceplate –
Straight narrow overlap
Arched narrow overlap

Masonry trim

Straight
Arched

Moulded brick panels –
Contemporary
Classic

Moulded vermiculite panels –
Herringbone

FP16D

Black
Non catalytic
6.4 ft ³
Guillotine, with steel frame
Ceramic glass
30"
East / West
15'
Yes (4")
ULC-S610 / UL127
EPA Exempt
N/A

48"
8 1/2"
24"
347 kg (765 lb)
Lifetime limited

Faceplate –
Black narrow overlap

Masonry trim

Moulded brick panels –
Contemporary

⁽¹⁾ Subject to a maximum protrusion - see owner's manual.

⁽²⁾ From door opening.

*Without refractory bricks.

Technical data contained in this catalogue are for reference only. Any installation must be done according to the data and drawings detailed in the owner's manual.

COLOR
COMBUSTION TECHNOLOGY
MAXIMUM RECOMMENDED AREA
OVERALL HEAT OUTPUT RATE (MIN. TO MAX.)
MAXIMUM HEAT OUTPUT (DRY CORDWOOD)
MAXIMUM BURN TIME ⁽¹⁾
AVERAGE PARTICULATE EMISSIONS RATE
OPTIMUM EFFICIENCY
FIREBOX VOLUME (EXCLUDING GRATE OR ANDIRONS)
DOOR TYPE
GLASS TYPE
MAXIMUM LOG LENGTH
RECOMMENDED LOG LENGTH
LOG POSITIONING
MINIMUM CHIMNEY HEIGHT (FROM FLOOR)
FRESH AIR INTAKE ADAPTER (DIAMETER)
TEST STANDARD – SAFETY
TEST STANDARD – EMISSIONS
CLEARANCES TO COMBUSTIBLE MATERIALS

**COMBUSTIBLE SHELF
(FROM THE BASE OF THE FIREPLACE)**

SIDE MANTLE ⁽²⁾

SIDE WALL ⁽³⁾

WEIGHT

WARRANTY

REQUIRED ACCESSORIES

OPTIONS

FP10R

Black
Non catalytic
750 – 2,200 ft ²
12,700 to 60,700 BTU/h
80,000 BTU/h
8 hours
1.2 g/h
70%
2,5 ft ³
Single, with steel frame
Ceramic glass
20"
16"
East / West
15'
Yes (4")
ULC-S610 / UL127
EPA

58"

8"

13"

225 kg (495 lb)

Lifetime limited

**Black arched faceplate
Faceplate louver –**

- ①
Crown
Classic
Arabesque
Urban
Mission

- ② **Door overlay –**
Black
Brushed nickel

③

④

**Firescreen door
Hot air gravity kit –
Traditional | Modern
Forced air kit**

FP10RS

Black
Non catalytic
750 – 2,200 ft ²
12,700 to 60,700 BTU/h
80,000 BTU/h
8 hours
1.2 g/h
70%
2,5 ft ³
Single, with steel frame
Ceramic glass
20"
16"
East / West
15'
Yes (4")
ULC-S610 / UL127
EPA

58"

8"

13"

225 kg (495 lb)

Lifetime limited

**Black square faceplate
Faceplate louver –**

- Crown
Classic
Arabesque
Urban
Mission

- Door overlay –**
Black
Brushed nickel

**Firescreen door
Hot air gravity kit –
Traditional | Modern
Forced air kit**

FP12R

Black
 Non catalytic
 750 – 2,200 ft²
 12,700 to 60,700 BTU/h
 80,000 BTU/h
 8 hours
 1.2 g/h
 70%
 2,5 ft³
 Single, with steel frame
 Ceramic glass
 20”
 16”
 East / West
 15’
 Yes (4”)
 ULC-S610 / UL127
 EPA

48”
 8”
 13”
 194 kg (427 lb)
 Lifetime limited

FP15

Black
 Non catalytic
 1,000 – 2,800 ft²
 16,900 to 43,000 BTU/h
 95,000 BTU/h
 11 hours
 1.6 g/h
 70%
 4,28 ft³
 Double, with cast iron frame
 Ceramic glass
 25”
 16”
 East / West
 15’
 Yes (5”)
 ULC-S610 / UL127
 EPA

N/A
 8”
 24”
 247 kg (545 lb)
 Lifetime limited

Faceplate –
 Crown

Moulded brick panels –
 Classic

Hot air gravity kit –
 Traditional | Modern

Firescreen door
Forced air kit
Finishing trim
ROBAX® NightFlame glass

Forced air kit
Warm air circulation grille –
 Modern
ROBAX® NightFlame glass

FP15A

Black
 Non catalytic
 1,000 – 2,800 ft²
 16,900 to 43,000 BTU/h
 95,000 BTU/h
 11 hours
 1.6 g/h
 70%
 4,28 ft³
 Double, with cast iron frame
 Ceramic glass
 25”
 16”
 East / West
 15’
 Yes (5”)
 ULC-S610 / UL127
 EPA

N/A
 8”
 24”
 247 kg (545 lb)
 Lifetime limited

Faceplate arched black
Faceplate louver –
 Classic
 Arabesque
 Urban
 Mission

Moulded brick panels –
 Classic

Forced air kit
Warm air circulation grille –
 Modern
ROBAX® NightFlame glass

FP18

Black
 Non catalytic
 750 – 2,500 ft²
 18,057 to 49,654 BTU/h
 85,000 BTU/h
 9 hours
 0,99g/h
 72%
 3,0 ft³
 Double, with cast iron frame
 Ceramic glass
 18”
 16”
 East / West
 15’
 Yes (4”)
 ULC-S610 / UL127
 CSA B415.1-10

N/A
 8”
 21”
 240 kg (530 lb)
 Lifetime limited

Black square faceplate
Faceplate louver –
 Crown
 Classic
 Arabesque
 Urban
 Mission

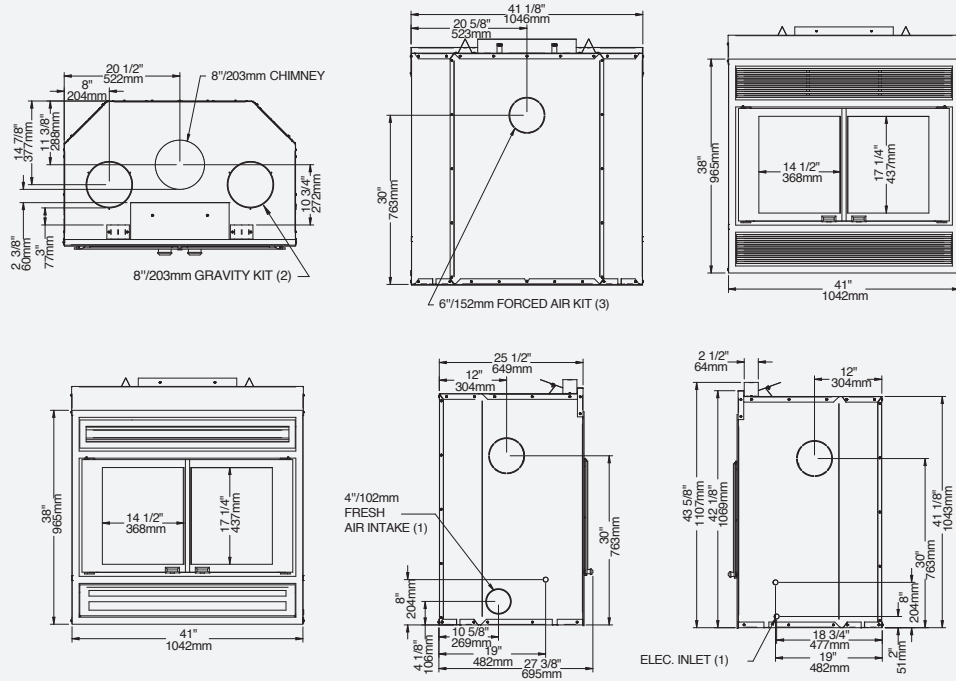
Firescreen door
Hot air gravity kit –
 Traditional
Forced air kit
ROBAX® NightFlame glass

⁽¹⁾ Approximate burn time and maximum recommended area may vary subject to location in home, chimney draft, chimney diameter, locality, heat loss factors, climate, fuels and other variables.

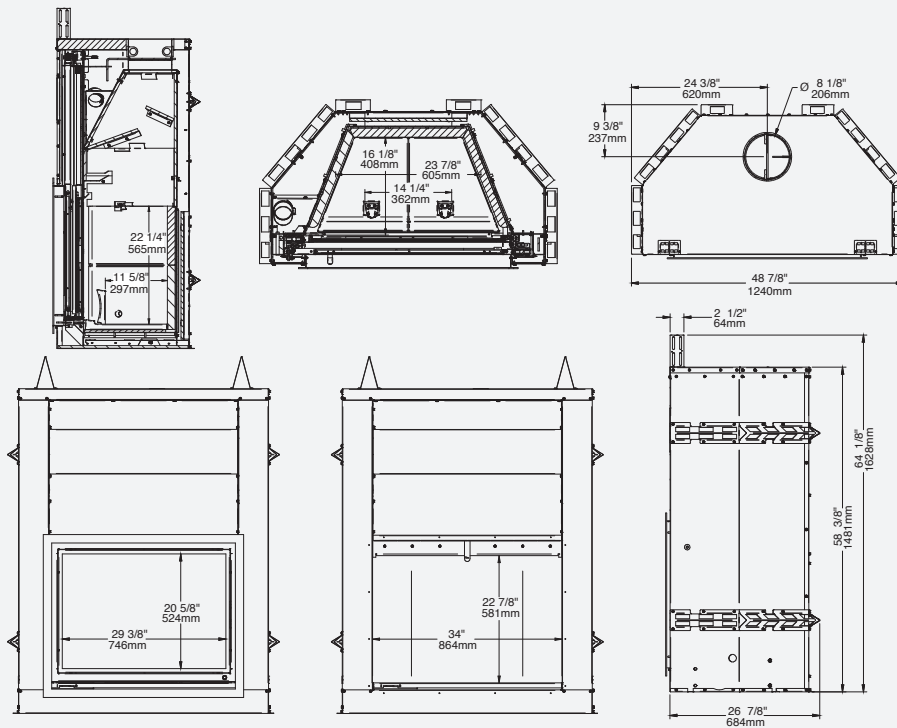
⁽²⁾ Subject to a maximum protrusion – see owner’s manual ⁽³⁾ From door opening.

Technical data contained in this catalogue are for reference only. Any installation must be done according to the data and drawings detailed in the owner’s manual.

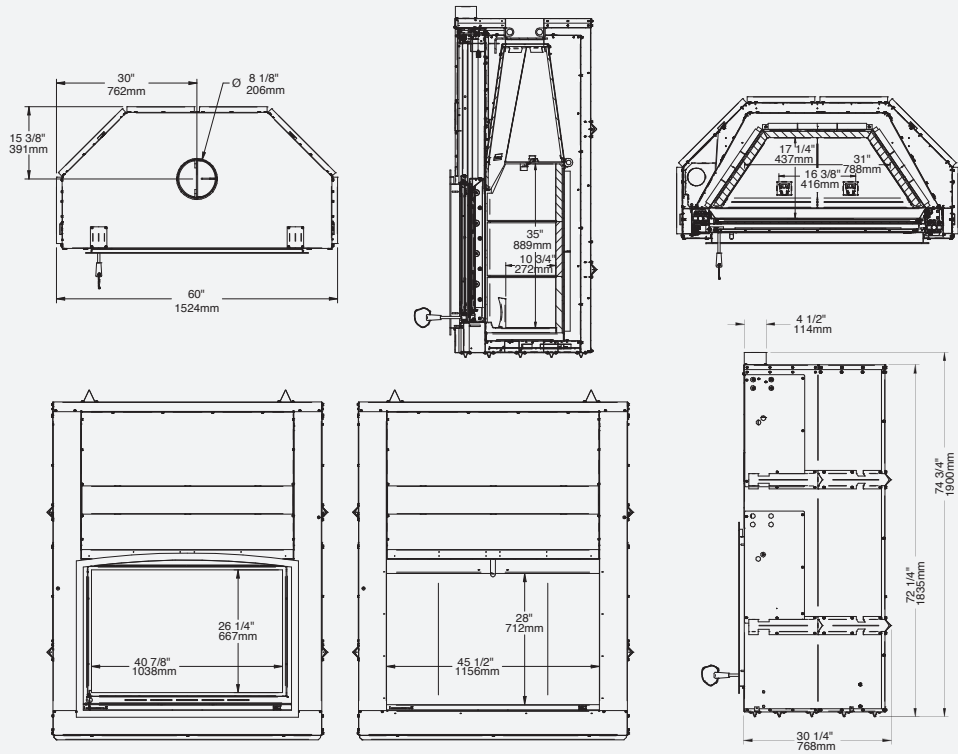
FP1LM – MANOIR



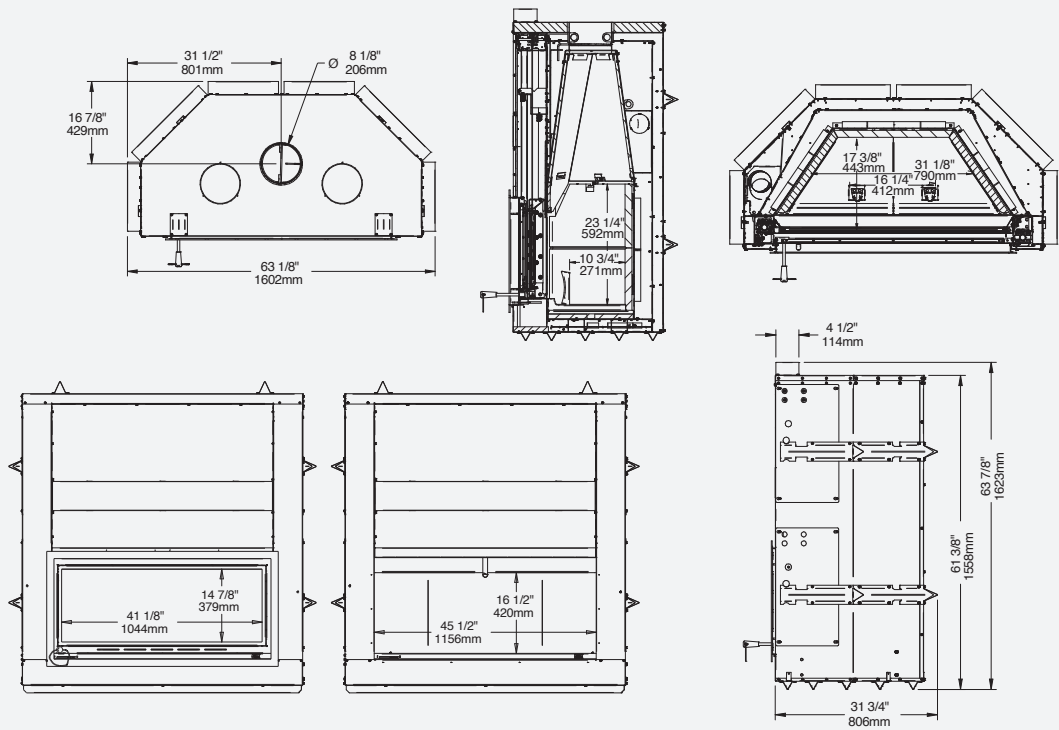
FP7D – ANTOINETTE



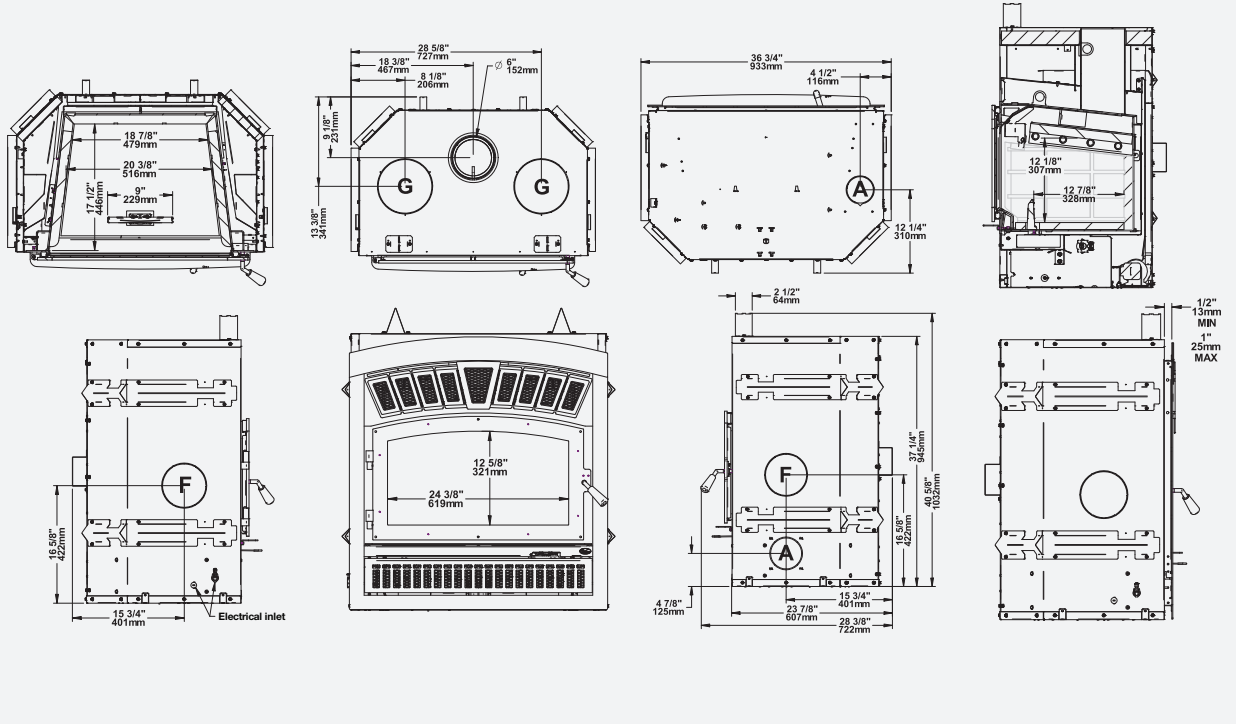
FP11D – FRONTENAC



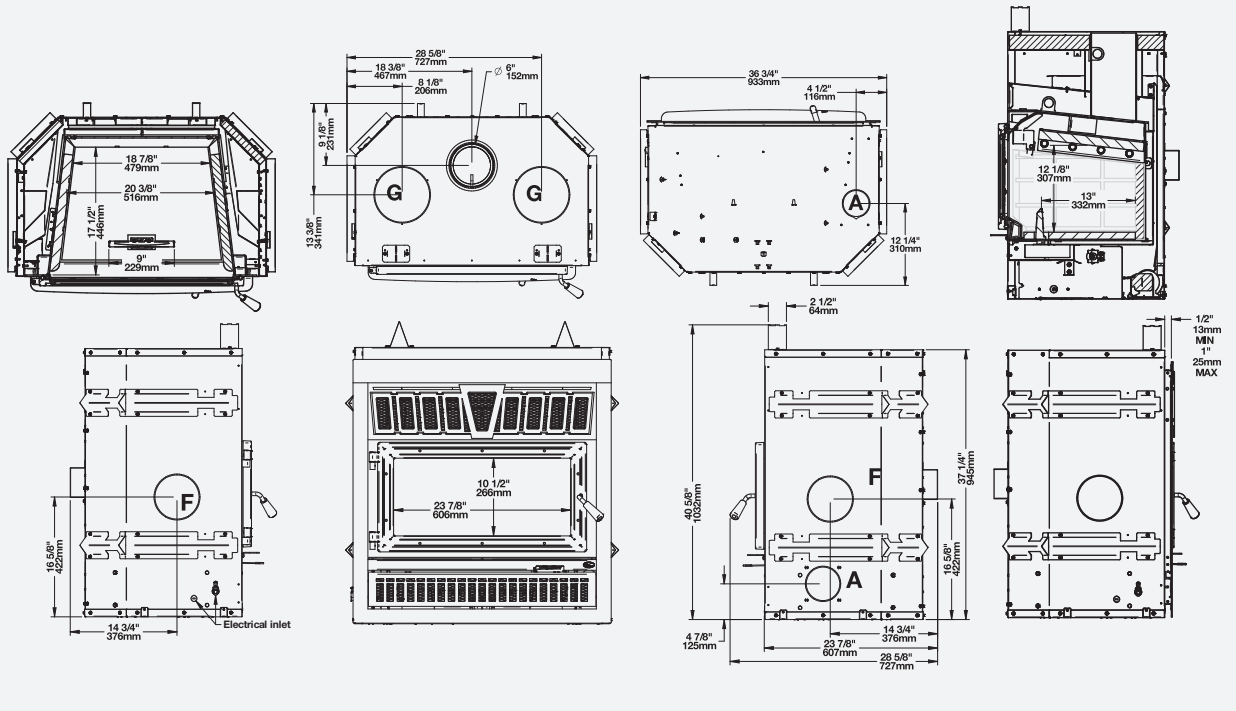
FP16D – ST-LAURENT



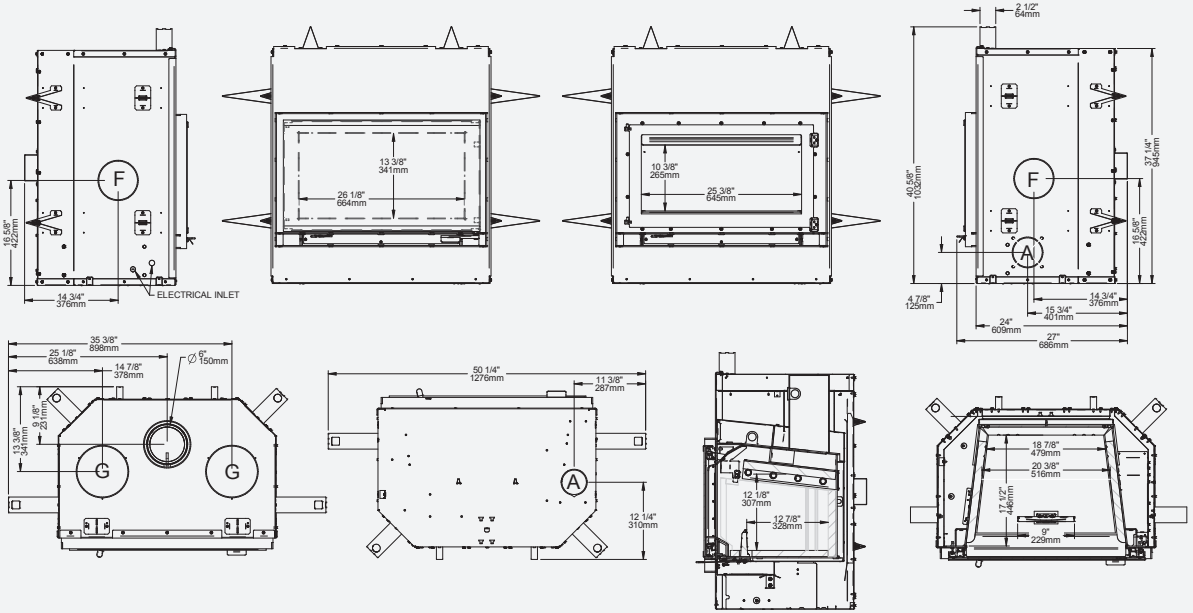
FPIOR – LAFAYETTE II



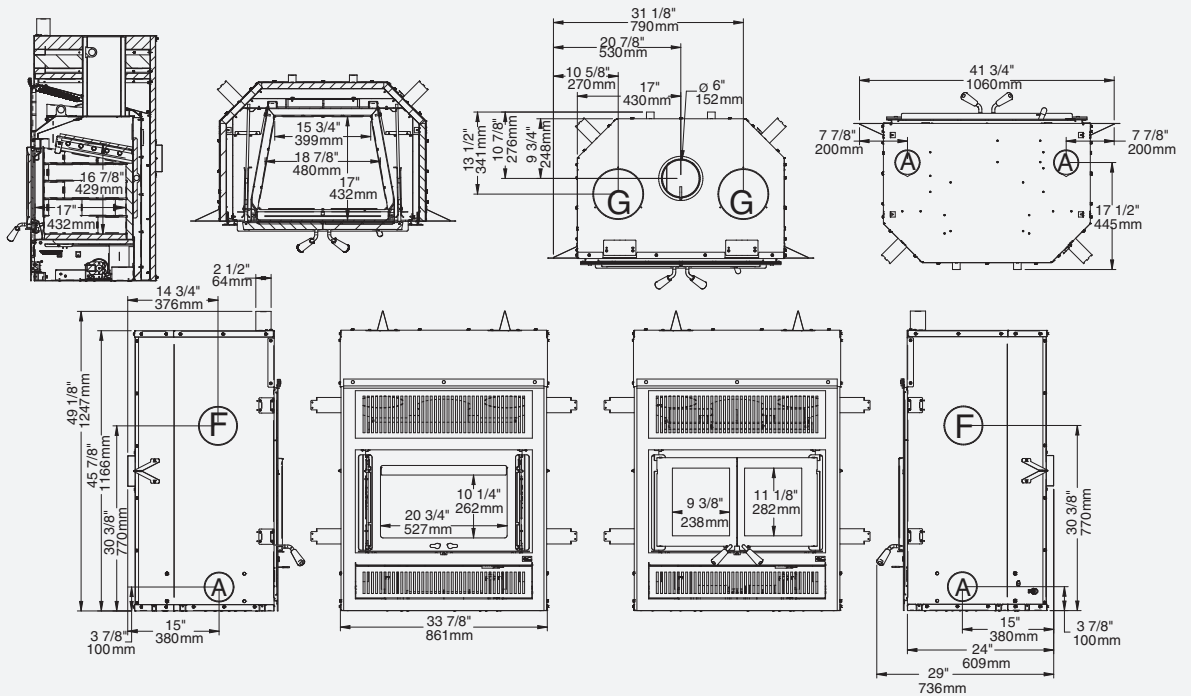
FPIORS – LAFAYETTE II – SQUARE



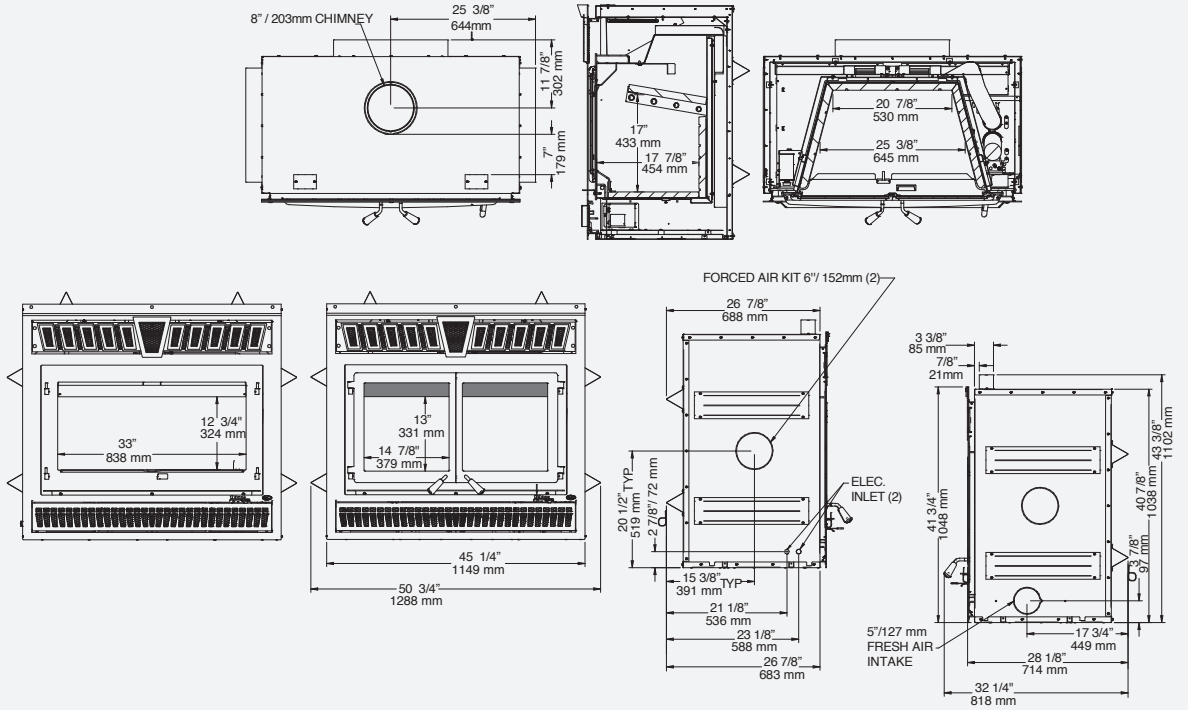
FP12R – MUNDO II



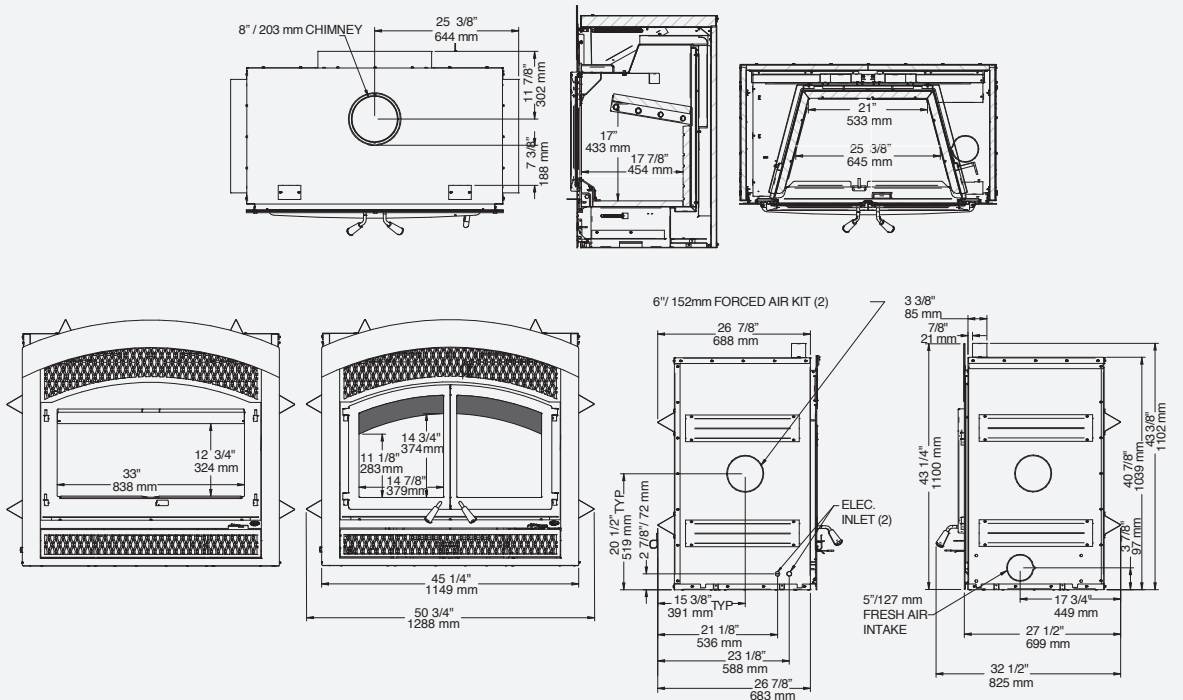
FP18 – DALLAIRE



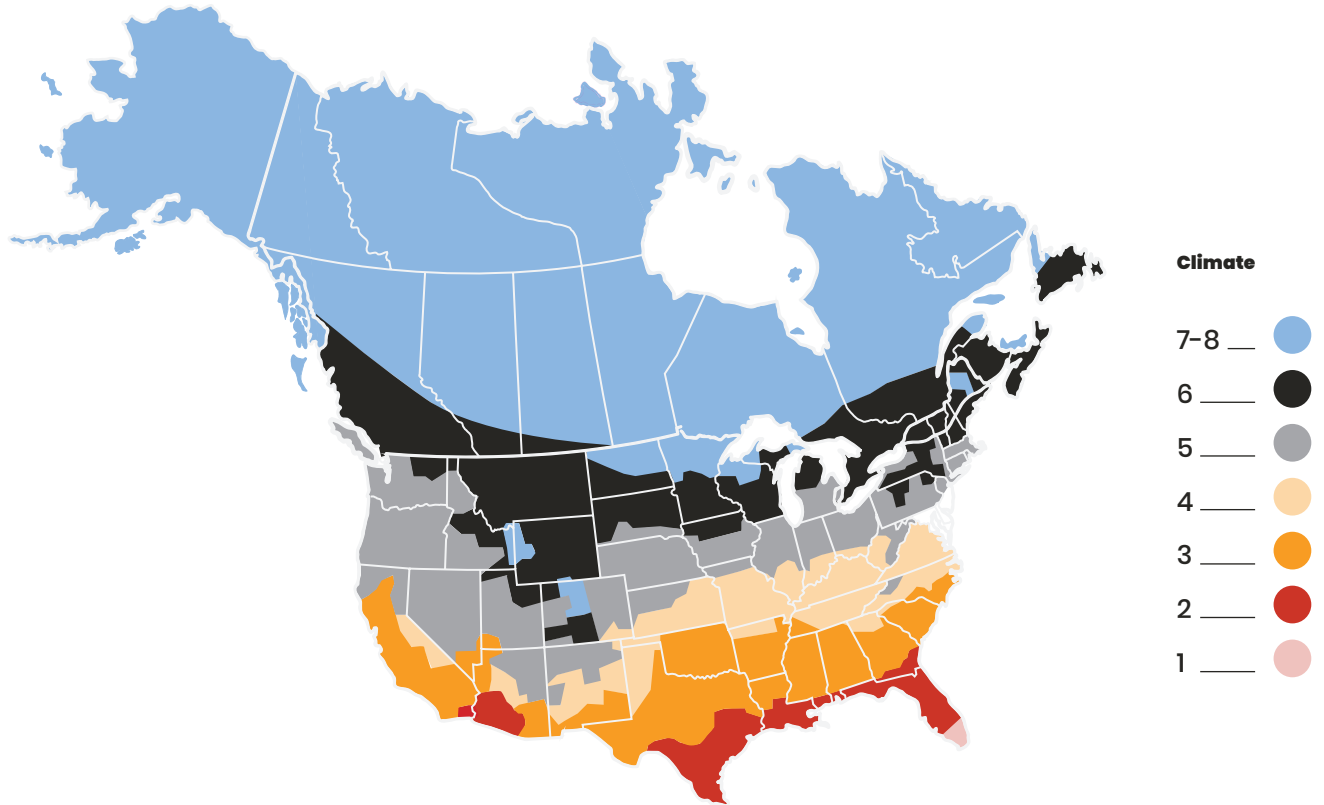
FP15 – WATERLOO



FP15A – WATERLOO – ARCHED



HEATING CALCULATOR



Recommended heating area
in square feet by climate zone.

	FP10R LAFAYETTE II	FP10RS LAFAYETTE II - SQUARE	FP12R MUNDO II	FP15 WATERLOO	FP15A WATERLOO - ARCHED	FP18 DALLAIRE
ZONE 1-2	3,000	3,000	3,000	3,600	3,600	3,300
ZONE 3	2,800	2,800	2,800	3,400	3,400	3,100
ZONE 4	2,600	2,600	2,600	3,200	3,200	2,900
ZONE 5	2,400	2,400	2,400	3,000	3,000	2,700
ZONE 6	2,200	2,200	2,200	2,800	2,800	2,500
ZONE 7-8	1,800	1,800	1,800	2,400	2,400	2,100

MANUFACTURERS, BRANDS AND TYPES OF APPROVED CHIMNEYS

MANUFACTURERS*	BRANDS	TYPE	FP1LM	FP7D	FP11D
Olympia Chimney / SBI Venting Division	Ventis	1" Solid Pack	●	●	●
SBI Venting Division	Nexvent	1" Solid Pack	●	●	●
Olympia Chimney	Champion Chimney System	1" Solid Pack	●	●	●
Olympia Chimney	Rockford Chimney Systems	1" Solid Pack			
American Metal	HSS	AC Triple Wall	●	●	●
American Metal	HS	AC Triple Wall	●	●	●
ICC	Excel 2100	1" Solid Pack	●	●	●
DuraVent	DuraTech	1" Solid Pack	●	●	●
DuraVent	DuraTech Canada (DTC)	1" Solid Pack	●	●	●
DuraVent	DuraPlus HTC	2" Solid Pack	●	●	●
DuraVent	DuraPlus	AC Triple Wall	●	●	●
DuraVent	DuraTech Premium	2" Solid Pack	●	●	●
Metal Fab	Temp Guard	1" Solid Pack	●	●	●
Security Chimney	ASHT+	1" Solid Pack	●	●	●
Security Chimney	S-2100 +	2" Solid Pack	●	●	●
Selkirk	UltimateOne	1" Solid Pack		●	●
Selkirk	Ultra-Temp (UT)	1" Solid Pack		●	●
Selkirk	Super Pro (SPR)	1" Solid Pack		●	●
Selkirk	Super Vent (JSC)	1" Solid Pack		●	●
Selkirk	Hart & Cooley (TLC)	1" Solid Pack		●	●
Selkirk	Sure-Temp (ST)	1" Solid Pack		●	●
Selkirk	Super Vent 2100 (JM)	2" Solid Pack	●	●	●
Selkirk	CF Sentinel (CF)	2" Solid Pack	●	●	●
Selkirk	Super Pro 2100 (ALT)	2" Solid Pack	●	●	●

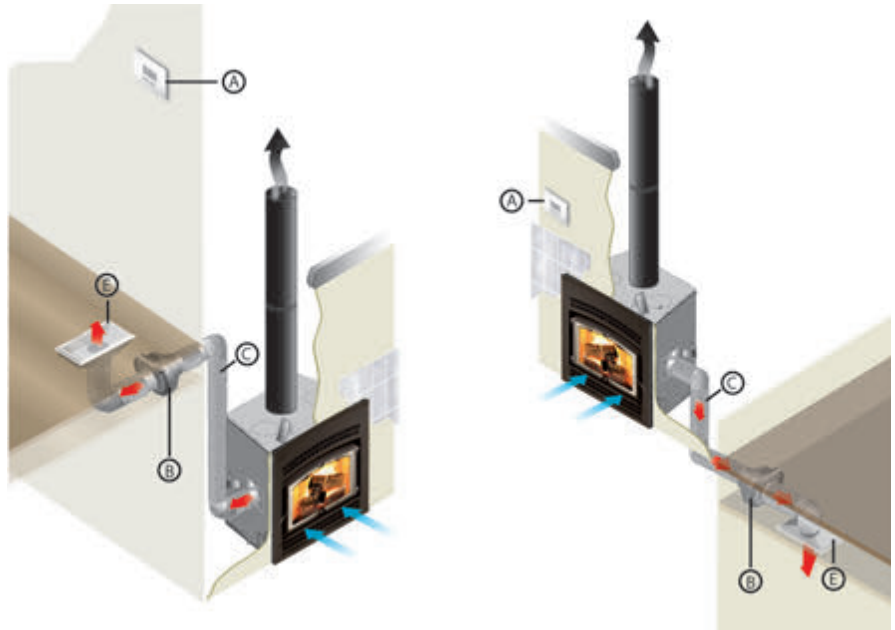
FP16D	FP10R	FP10RS	FP12R	FP15	FP15A	FP18
•	•	•	•	•	•	•
•	•	•	•	•	•	•
•	•	•	•	•	•	•
	•	•	•	•	•	•
•	•	•	•	•	•	•
•	•	•	•	•	•	•
•	•	•	•	•	•	•
•	•	•	•	•	•	•
•	•	•	•	•	•	•
•	•	•	•	•	•	•
•	•	•	•	•	•	•
•	•	•	•	•	•	•
•	•	•	•	•	•	•
•	•	•	•	•	•	•
•	•	•	•	•	•	•
•	•	•	•	•	•	•

*Specific components may be required depending on the chimney manufacturer.
Technical data contained in this brochure is for reference only. Any installation must be done according to the data and drawings detailed in the owner's manual.

HEAT DISTRIBUTION SYSTEMS

Forced air kit

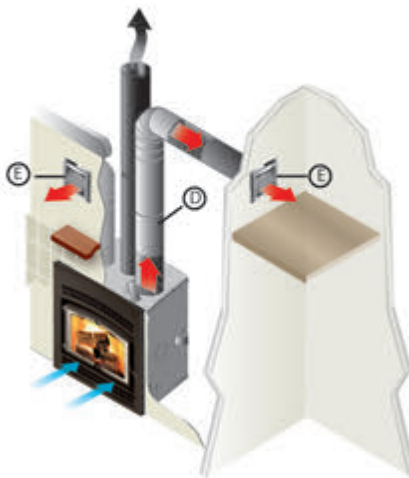
This system allows you to manage the heat distribution automatically. Using a wall thermostat, you can select the temperature you want to maintain in the room where the fireplace is located. Once the thermostat has reached the desired temperature, the excess heat is redirected to another room up to 50 feet (15 m) away from the fireplace using a 300 CFM blower. That way, you can enjoy a nice fire in your living room without the discomfort of excess heat generated by your Valcourt fireplace.



The system can also be used to supplement heat in a room remote from the fireplace. For this type of application, the thermostat needs to be positioned in the desired room and programmed with the temperature to be maintained. The system, now in "heat mode", will activate the blower as long as the temperature in the remote room is not achieved and that the fireplace has enough heat to distribute.

EPA wood fireplaces generate a lot of heat; often too much for the room where they are located. The heat distribution systems designed by Valcourt allow you to redirect this heat to other rooms in your home.

Valcourt also offers another way to distribute excess heat in your home, using a hot air gravity kit.



Hot air gravity kit

The Hot air gravity kit allows you to bring hot air into the same room as the fireplace, in adjacent rooms, or upstairs at a maximum distance of 10' (3 m). The minimum height of the hot air duct must be 68" (1.7 m) measured from the base of the fireplace to the top of the hot air register.

Suggested installation: A) Wall thermostat B) 300 CFM blower C) Hot air flexible pipe D) Hot air rigid pipe E) Air register. The information contained in this page is for information purposes only. For more details about the installation requirements of the kits and their content, or for more installation options or more details on the **forced air distribution kit** or the **hot air gravity distribution kit**, please refer to the owner's manuals.

ACCESSORIES

NON-COMBUSTIBLE MANTEL – WASHED CEDAR*



AC02780 60"

AC02781 72"

Height: 8"
Depth: 8"

NON-COMBUSTIBLE MANTEL – TAVERN BROWN*



AC02782 60"

AC02783 72"

Height: 8"
Depth: 8"

* Images are for reference only. Color and texture may vary. See valcourtinc.com for details.

STOWOOD WOOD STORAGE



AC02351

AC02353*

Height: 16"
Width: 48"
Depth: 18"

* optional drawer with shovel and poker

GLASS HEARTH PAD



AC02760 50" x 18"

AC02761 70" x 20"

Thickness: 10 mm

ROBAX® NightFlame Fascinating. Even without fire.

SCHOTT
ROBAX®

A fireplace is not just an elegant design element for our home. Its enveloping warmth stimulates our senses and creates a sense of well-being. Hearts race to the sound of a crackling fire. But this romantic magic can fade when only ashes and soot remain visible once the fire is out.

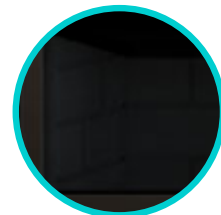
With ROBAX® NightFlame ceramic glass panels, enjoy perfect aesthetics and a warm ambiance in any circumstance. Thanks to innovative technology, the glass transforms when the fire goes out, maintaining the elegance of your interior. The semi-transparent glass allows you to enjoy a blazing fire with nearly intact flame intensity and colors. Once the fire is out, the panel preserves the fireplace's aesthetics by reducing the visibility of residues and ashes in the combustion chamber.

Valcourt offers ROBAX® NightFlame ceramic glass panels from SCHOTT as an option on the Mundo II, Waterloo, Waterloo – Arched Faceplate, and Dallaire wood fireplaces.

For more information, visit:
www.valcourtinc.com/en/robax-nightflame



When fire is on,
ROBAX® NightFlame ensures a familiar and yet incomparable fire experience, in comparison to transparent ROBAX® fire-viewing panels.



When fire is off,
ROBAX® NightFlame reduces the view into the combustion chamber & discreetly hides combustion residues and dirt.

WARRANTY

Valcourt does not compromise when it comes to excellence in manufacturing its products. This is guaranteed by a highly qualified workforce and state-of-the-art equipment. This tradition of excellence allows us to offer our customers peace of mind, through one of the best warranties in the industry.

LIMITED LIFETIME

Combustion chamber (welds only)

Ceramic glass

Castings (except andirons)

Plating

For more details, visit our website at
www.valcourtinc.com/en/warranty/



CONTACT US

Customer Service

Phone: 1 888 539-0864

possiblepurchase@sbi-international.com

Monday - Friday: 8 a.m. to 12 p.m. - 1 p.m. to 5 p.m. (EST)

Technical Support

Phone: 1 877 356-6663

tech@sbi-international.com

Monday - Friday: 8 a.m. to 12 p.m. - 1 p.m. to 5 p.m. (EST)

10-2024 Printed in Canada

PUB066A



WWW.VALCOURTINC.COM

