

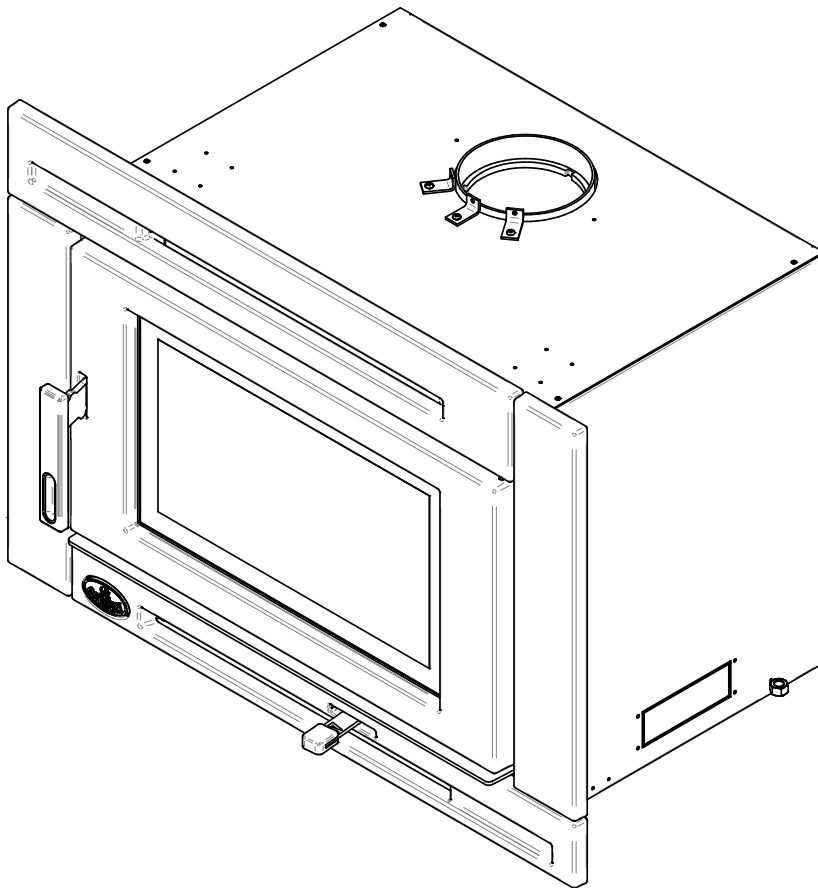


# Installation and Operation Manual

## MATRIX INSERT

(OB02028 model)

ENGLISH



Safety tested according to ULC S628, UL 1482 and UL 737 by an accredited laboratory.

US Environmental Protection Agency phase II certified wood insert compliant with 2020 cord wood standard.

**EPA**  
**≤2.5 g/h**

CONTACT LOCAL BUILDING OR FIRE OFFICIALS ABOUT RESTRICTIONS AND INSTALLATION INSPECTION REQUIREMENTS IN THE AREA.

READ THIS ENTIRE MANUAL BEFORE INSTALLATION AND USE OF THIS WOOD INSERT. FAILURE TO FOLLOW THESE INSTRUCTIONS COULD RESULT IN PROPERTY DAMAGE, BODILY INJURY OR EVEN DEATH.

**READ AND KEEP THIS MANUAL FOR REFERENCE**



# THANK YOU FOR CHOOSING THIS WOOD INSERT.

**If this insert is not installed properly, combustible materials near it may overheat and catch fire.**

**To reduce the risk of fire, follow the installation instructions in this manual.**

As one of North America's largest and most respected wood stove and fireplace manufacturers, Stove Builder International takes pride in the quality and performance of all its products.

The following pages provide general advice on wood heating, detailed instructions for safe and effective installation, and guidance on how to get the best performance from this insert.

It is highly recommended that this wood burning hearth product be installed and serviced by professionals who are certified by NFI (National Fireplace Institute®) or CSIA (Chimney Safety Institute of America) in the United States or in Canada by WETT (Wood Energy Technology Transfer) or in Quebec by APC (Association des Professionnels du Chauffage).

Contact local building or fire officials about restrictions and installation inspection requirements in the area.

A building permit might be required for the installation of this insert and the chimney that it is connected to. It is also recommended to inform your home insurance company.

Please read this entire manual before installing and using this insert.

A primary alternative heat source should be available in the home. This heating unit may serve as a supplementary heat source. The manufacturer cannot be responsible for additional heating costs associated with the use of an alternative heat source.

## ONLINE WARRANTY REGISTRATION

If the unit requires repairs during the warranty period, proof of purchase must be provided. The purchase invoice must be kept. The date indicated on it establishes the warranty period. If it cannot be provided, the warranty period will be determined by the date of manufacture of the product. It is also highly recommended to register the warranty online at

<https://www.osburn-mfg.com/en/warranty/warranty-registration/>

Registering the warranty will help to quickly find the information needed on the unit.

# TABLE OF CONTENTS

<b>PART A - OPERATION AND MAINTENANCE</b> .....	<b>7</b>
<b>1. Safety Information</b> .....	<b>7</b>
<b>2. General Information</b> .....	<b>8</b>
2.1 Performances .....	8
2.2 Specifications.....	9
2.3 Dimensions .....	10
2.4 EPA Certification Loading .....	12
2.5 Materials .....	13
2.6 Zone Heating.....	13
2.7 Emissions and Efficiency .....	14
<b>3. Fuel</b> .....	<b>14</b>
3.1 Tree Species .....	15
3.2 Log Length.....	15
3.3 Piece Size .....	15
3.4 Compressed Wood Logs.....	15
3.5 Drying Time.....	16
<b>4. Operating the Insert</b> .....	<b>17</b>
4.1 Blower .....	17
4.2 The Use of a Fire Screen .....	18
<b>5. Burning Wood Efficiently</b> .....	<b>18</b>
5.1 First Use .....	18
5.2 Lighting Fires.....	18
5.3 Combustion Cycles.....	19
5.4 Rekindling a Fire .....	20
5.5 Removing Ashes.....	20
5.6 Air Intake Control .....	21
5.7 Fire Types .....	21
<b>6. Maintenance</b> .....	<b>23</b>
6.1 Cleaning and Painting .....	23
6.2 Refractory Material and Baffle.....	23
6.3 Glass Door .....	23
6.4 Door .....	25
6.5 Exhaust System.....	26
<b>PART B - INSTALLATION</b> .....	<b>27</b>
<b>7. Masonry Fireplace Requirements</b> .....	<b>27</b>
7.1 Fireplace and Chimney Condition.....	27
7.2 Chimney Caps .....	27
7.3 Adjacent Combustibles .....	27

7.4 Opening Size.....28

7.5 Masonry Fireplace Throat Damper .....28

**8. Safety Information and Standards ..... 28**

8.1 Regulations Covering Insert Installation .....28

8.2 Certification Label.....29

**9. Clearances to Combustible Material..... 29**

9.1 Installation of a Combustible Mantel Shelf .....29

9.2 Floor Protection .....30

9.3 Minimum Masonry Opening and Clearances to Combustibles .....33

**10. The Venting System ..... 34**

10.1 General .....34

10.2 Block-off Plate.....34

10.3 Suitable Chimneys .....34

10.4 Chimney Liner Installation.....35

10.5 Liner Connection .....35

10.6 Minimum Chimney Height.....37

10.7 Chimney Location.....37

10.8 Supply of Combustion Air.....38

**Appendix 1: Faceplate Installation ..... 39**

**Appendix 2: Optional Fresh Air Intake Kit Installation ..... 41**

**Appendix 3: Blower replacement ..... 42**

**Appendix 4: Optional Fire Screen Installation..... 43**

**Appendix 5: Log retainers installation ..... 44**

**Appendix 6: Air Tubes and Baffle Installation ..... 45**

**Appendix 7: Removal Instructions..... 47**

**Appendix 8: Exploded Diagram and Parts List..... 48**

**OSBURN Limited Lifetime Warranty ..... 51**

Dealer: \_\_\_\_\_

Installer: \_\_\_\_\_

Phone Number: \_\_\_\_\_

**Serial Number:** \_\_\_\_\_

# CERTIFICATION PLATE

ENGLISH



REFER TO INTERTEK'S DIRECTORY OF BUILDING PRODUCTS FOR DETAILED INSTRUCTIONS  
SE RÉFÉRER AU RÉPERTOIRE DES PRODUITS HOMOLOGUÉS D'INTERTEK POUR PLUS D'INFORMATION

**STANDARDS / NORMES D'ESSAI:**

- Certified to / Certifié selon ULC S628
- Certified to / Certifié selon UL 1482
- Certified to / Certifié selon UL 737
- Certified to/Certifié selon CSA B415.1
- Certified to/Certifié selon ASTM E3053
- Certified to/Certifié selon ASTM E2515

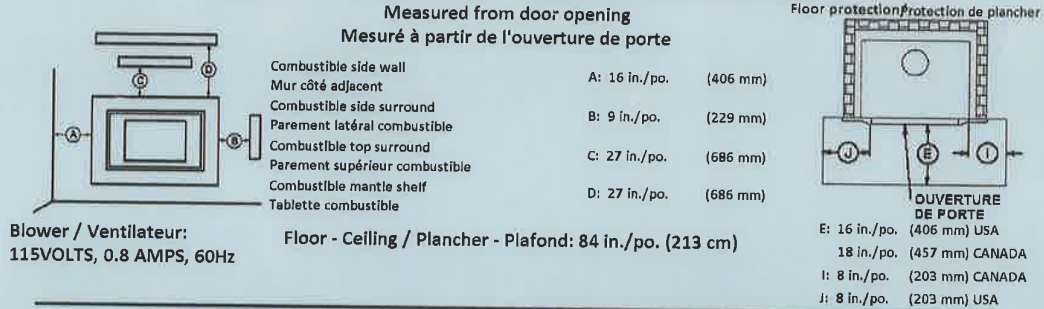
Control number: 4002461  
(March/Mars 2018)

**LISTED SOLID FUEL BURNING INSERT APPLIANCE**  
**APPAREIL ENCASTRABLE À COMBUSTIBLE SOLIDE HOMOLOGUÉ**  
**MODEL / MODÈLE :**  
**MATRIX-I**

\* See owner's manual for other installation instructions/  
voir manuel d'installation pour d'autres instructions d'installation

Serial Number  
No. de Série **0**

**Clearances to combustibles / Dégagements aux combustibles**



**PREVENT HOUSE FIRES**

- Install and use only in accordance with the manufacturer's Installation and operating instructions.
- Contact local building or fire officials about restrictions and installation inspection in your area.
- Use with solid wood fuel only. Do not use other fuels.
- Risk of smoke and flame spillage. Operate only with door closed or door open with screen door installed. Open door or remove screen door only to feed the stove.
- Do not connect this unit to a chimney serving another appliance.
- Install only in masonry fireplaces. Do not remove bricks or mortar from masonry fireplace.
- The non-combustible floor protection in front of the unit should have an R value equal or greater than 1.00 extending 23 Inches (584 mm) in front of the insert. If the hearth elevation is lower than 5 Inches (127 mm) or extend 16 Inches (406 mm) (USA), 18 Inches (457 mm) (CANADA) without a R value if the hearth elevation is higher than 5 Inches (127 mm).
- Connect to a code-approved masonry chimney or listed factory-built fireplace chimney with a direct flue connector into the first chimney liner section.
- Do not overfire. If stove or chimney connector glows, you are overfiring.
- Inspect and clean chimney frequently. Under certain conditions of use, creosote buildup may occur rapidly.
- Do not use grate or elevate fire. Build wood fire directly on hearth.
- Replace glass only with ceramic glass.
- This wood heater needs periodic inspection and repair for proper operation. Consult the owner's manual for further information. It is against US federal regulations to operate this wood heater in a manner inconsistent with the operating instructions in the owner's manual.

**PRÉVENEZ LES INCENDIES**

- Installer et utiliser conformément au manuel d'utilisation du fabricant.
- Contacter les autorités de votre localité ayant juridiction concernant les restrictions et inspections d'installation.
- Utiliser avec le bois seulement. Ne pas utiliser d'autres combustibles.
- Risque de fuite de fumée et de flammes. Utiliser l'appareil la porte fermée ou ouverte avec le pare-étincelle en place uniquement. Ouvrir la porte ou retirer le pare-étincelle seulement lors du chargement.
- Ne pas raccorder à un conduit de fumée servant déjà pour un autre appareil.
- Installer seulement dans un foyer de maçonnerie. Ne pas enlever les briques ou le mortier du foyer de maçonnerie.
- La protection de plancher incombustible au devant de l'encastrable devrait avoir un facteur d'isolation R égal ou supérieure à 1.00 et se prolonger 23 pouces (584 mm) au devant de l'appareil lorsque l'âtre possède moins de 5 pouces (127 mm) d'élévation et se prolonger 16 pouces (406 mm) (USA), 18 pouces (457 mm) (CANADA), sans facteur d'isolation R au devant de l'encastrable lorsque l'âtre possède plus de 5 pouces (127 mm) d'élévation.
- Raccorder à une cheminée de maçonnerie respectant les codes ou à une cheminée préfabriquée homologuée, directement à la première section de cheminée gainée.
- Ne pas surchauffer. Si l'appareil ou le tuyau rougit, il y a surchauffe.
- Inspecter et nettoyer la cheminée fréquemment. Dans certaines conditions, la formation de crasse peut être rapide.
- Ne pas utiliser de chenets ou de grilles pour élever le feu. Préparer le feu directement sur l'âtre.
- Remplacer la vitre avec un verre de céramique.
- Cet appareil de chauffage requiert des inspections et réparations périodiques. Consulter le manuel de l'utilisateur pour plus d'information. Opérer cet appareil de chauffage de façon inconsistente par rapport au manuel de l'utilisateur consiste en une violation de la loi fédérale (USA).

U.S. ENVIRONMENTAL PROTECTION AGENCY Certified to comply with 2020 particulate emission standards using cordwood.  
AGENCE DE PROTECTION DE L'ENVIRONNEMENT DES É.-U. Conforme aux normes d'émission de particules de 2020 avec bûche de bois.  
Weighted average emission rate / Moyenne pondérée des émissions: 2.3 g/h  
Tested and certified in compliance with CFR 40 part 60, subpart AAA, section 60.534(a)(1)(ii)



**WARNING:** This product can expose you to carbon monoxide, which is known to the State of California to cause cancer, birth defects or other reproductive harm. (For more information go to [www.p65warnings.ca.gov](http://www.p65warnings.ca.gov))



## CAUTION

- HOT WHILE IN OPERATION.
- DO NOT TOUCH. KEEP CHILDREN, CLOTHING AND FURNITURE AWAY.
- CONTACT MAY CAUSE SKIN BURNS. SEE NAME-PLATE AND INSTRUCTIONS.

## ATTENTION

- CHAUD EN FONCTIONNEMENT.
- NE PAS TOUCHER. GARDER LES ENFANTS, LES VÊTEMENTS ET LES MEUBLES ÉLOIGNÉS.
- UN CONTACT AVEC LA PEAU PEUT OCCASIONNER DES BRÛLURES. VOIR LES INSTRUCTIONS.

Made in St-Augustin-de-Desmaures (Qc), Canada  
05/10/2022 (# test)



Fabricant de poêles international  
Stove Builder International

Fabriqué à St-Augustin-de-Desmaures (Qc), Canada  
05/10/2022 (# test)

R27722

# PART A - OPERATION AND MAINTENANCE

## 1. Safety Information

- This insert has been tested for use with an open door in conjunction with a fire screen, sold separately. The door may be opened, or fire screen removed only during lighting procedures or reloading. Always close the door or put back on the fire screen after ignition. Do not leave the insert unattended when the door is opened with or without a fire screen.
- **WARNING : OPERATE ONLY WITH THE DOOR FULLY CLOSED OR FULLY OPEN WITH THE FIRE SCREEN IN PLACE. IF THE DOOR IS LEFT PARTLY OPEN, GAS AND FLAME MAY BE DRAWN OUT OF THE OPENING, CREATING RISKS FROM BOTH FIRE AND SMOKE.**
- **HOT WHILE IN OPERATION, KEEP CHILDREN, CLOTHING AND FURNITURE AWAY. CONTACT MAY CAUSE SKIN BURNS. GLOVES MAY BE NEEDED FOR INSERT OPERATION.**
- Using an insert with cracked or broken components, such as glass, firebricks or baffle may produce an unsafe condition and may damage the insert.
- Open the air control fully before opening the loading door.
- **NEVER USE GASOLINE, LANTERN FUEL (NAPHTHA), FUEL OIL, MOTOR OIL, KEROSENE, CHARCOAL LIGHTER FLUID, OR SIMILAR LIQUIDS OR AEROSOLS TO START A FIRE IN THIS INSERT. KEEP ALL SUCH LIQUIDS OR AEROSOLS WELL AWAY FROM THE INSERT WHILE IT IS IN USE.**
- Do not store fuel within heater minimum installation clearances.
- Burn only seasoned natural firewood.
- This wood heater needs periodic inspection and repair for proper operation. It is against federal regulations to operate this wood heater in a manner inconsistent with operating instructions in this manual.
- This appliance should always be maintained and operated in accordance with these instructions.
- Do not elevate the fire by means of grates, andirons or other means.
- A smoke detector, a carbon monoxide detector and a fire extinguisher should be installed in the house. The location of the fire extinguisher should be known by all family members.
- Do not use makeshift materials or make any compromises when installing this insert.



This product can expose you to chemicals including carbon monoxide, which is known to the State of California to cause cancer, birth defects or other reproductive harm. For more information go to [www.P65warnings.ca.gov/](http://www.P65warnings.ca.gov/)

## 2. General Information

### 2.1 Performances

Values are as measured per test method, except for the recommended heating area, firebox volume, maximum burn time and maximum heat output.

ENGLISH

Models	Matrix Insert (OB02028)	
Combustion Technology	Non-catalytic	
Fuel Type	Dry Cordwood	
Recommended heating area (sq. ft.) <sup>1</sup>	500 to 2,100 ft <sup>2</sup> (47 to 195 m <sup>2</sup> )	
Overall firebox volume <sup>2</sup>	2.4 ft <sup>3</sup> (0.068 m <sup>3</sup> )	
EPA loading volume	1.95 ft <sup>3</sup> (0.055 m <sup>3</sup> )	
Maximum burn time <sup>1</sup>	8 hours	
Maximum heat output (dry cordwood) <sup>3</sup>	75,000 BTU/h (22 kW)	
Overall heat output rate (min. to max.) <sup>2 4</sup>	14,200 BTU/h to 44,500 BTU/h (4.16 kW to 13.04 kW)	
Average overall efficiency <sup>3</sup> Dry cordwood	72 % (HHV) <sup>5</sup>	77 % (LHV) <sup>6</sup>
Optimum overall efficiency <sup>7</sup>	79 %	
Optimum heat transfer efficiency <sup>8</sup>	76 %	
Average particulate emissions rate <sup>9</sup>	2.3 g/h (EPA / CSA B415.1-10) <sup>10</sup>	
Average CO <sup>11</sup>	69 g/h	

<sup>1</sup> Recommended heating area and maximum burn time may vary subject to location in home, chimney draft, heat loss factors, climate, fuel type and other variables. The recommended heated area for a given appliance is defined by the manufacturer as its capacity to maintain a minimum acceptable temperature in the designated area in case of a power failure.

<sup>2</sup> The overall firebox calculation is an approximation and is not intended to be used for loading. This volume includes a buffer zone to allow an easier fuel insertion, prevent ash spillage and allow the air wash to work properly.

<sup>3</sup> The maximum heat output (dry cordwood) is based on a loading density varying between 15 lb/ft<sup>3</sup> and 20 lb/ft<sup>3</sup>. Other performances are based on a fuel load prescribed by the standard. The specified loading density varies between 7 lb/ft<sup>3</sup> and 12 lb/ft<sup>3</sup>. The moisture content is between 19% and 25%.

<sup>4</sup> As measured per CSA B415.1-10 stack loss method.

<sup>5</sup> Higher Heating Value of the fuel.

<sup>6</sup> Lower Heating Value of the fuel.

<sup>7</sup> Optimum overall efficiency at a specific burn rate (LHV).

<sup>8</sup> The optimum heat transfer efficiency is for the low burn rate and represents the appliance's ability to convert the energy contained in the wood logs into energy transferred to the room in the form of heat and does not take into account the chemical losses during combustion.

<sup>9</sup> This appliance is officially tested and certified by an independent agency.

<sup>10</sup> Tested and certified in compliance with CFR 40 part 60, subpart AAA, section 60.534(a)(1)(ii) and ASTM E3053-17. Based on ALT-125 sent by EPA on February 28th, 2018.

<sup>11</sup> Carbon monoxide.



## 2.2 Specifications

Recommended log length	16 in (406 mm) east-west
Maximum log length <sup>12</sup>	20 in (508 mm) east-west
Flue outlet diameter	6 in (150 mm)
Recommended connector pipe diameter	6 in (150 mm)
Type of chimney	ULC S635, CAN/ULC-S640, UL 1777
Minimum chimney height	12 feet
Baffle material	C-Cast or equivalent
Approved for alcove installation	Not applicable
Approved for mobile home installation <sup>13</sup>	No
Type of door	Simple, glass with cast iron frame
Type of glass	Ceramic glass
Blower	Included (up to 90 CFM)
Particulate emission standard	EPA / CSA B415.1-10 <sup>14</sup>
USA Standard (Safety)	UL 1482, UL 737
Canada Standard (Safety)	ULC-S628

<sup>12</sup> North-south: ends of the logs visible, East-west: sides of the logs visible.

<sup>13</sup> Mobile homes (Canada) or manufactured homes (USA): The US Department of Housing and Urban Development describes “manufactured homes” better known as “mobile homes” as follows; buildings built on fixed wheels and those transported on temporary wheels/axles and set on a permanent foundation. In Canada, a mobile home is a dwelling for which the manufacture and assembly of each component is completed or substantially completed prior to being moved to a site for installation on a foundation and connection to service facilities and which conforms to the CAN/CSA-Z240 MH standard.

<sup>14</sup> Tested and certified in compliance with CFR 40 part 60, subpart AAA, section 60.534(a)(1)(ii) and ASTM E3053-17. Based on ALT-125 sent by EPA on February 28th, 2018.

## 2.3 Dimensions

ENGLISH

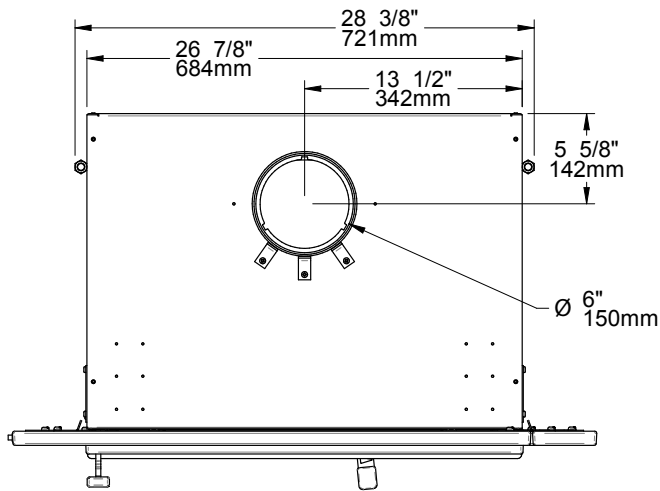


Figure 1: Top View

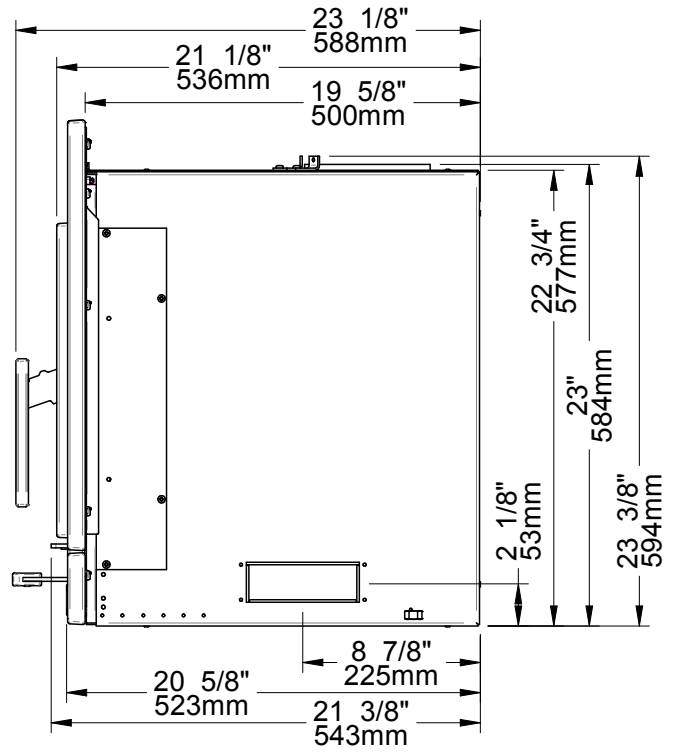


Figure 2: Side View - Minimum Insert Projection

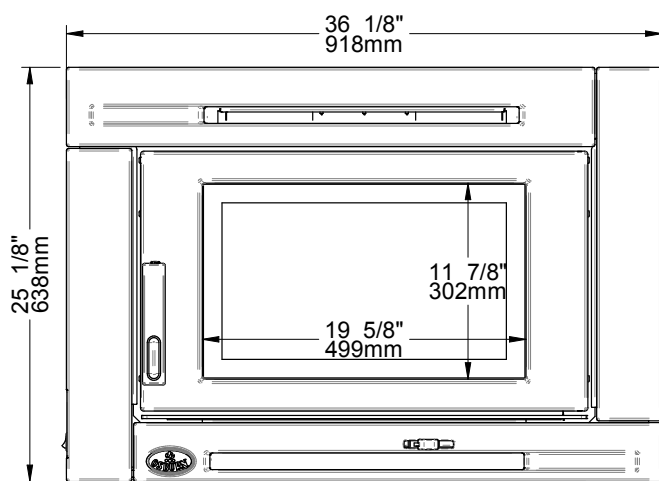


Figure 3: Front View

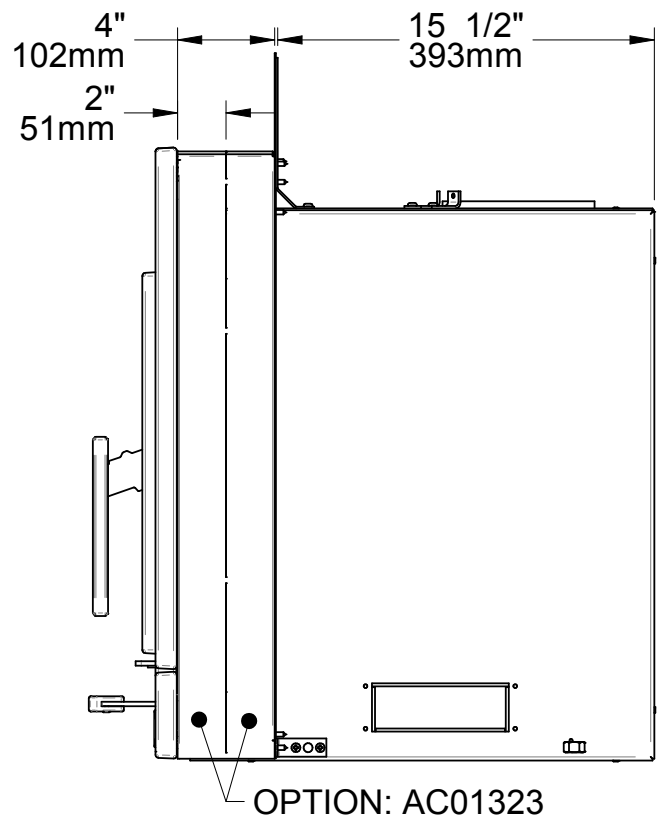


Figure 4: Side View - Maximum Insert Projection

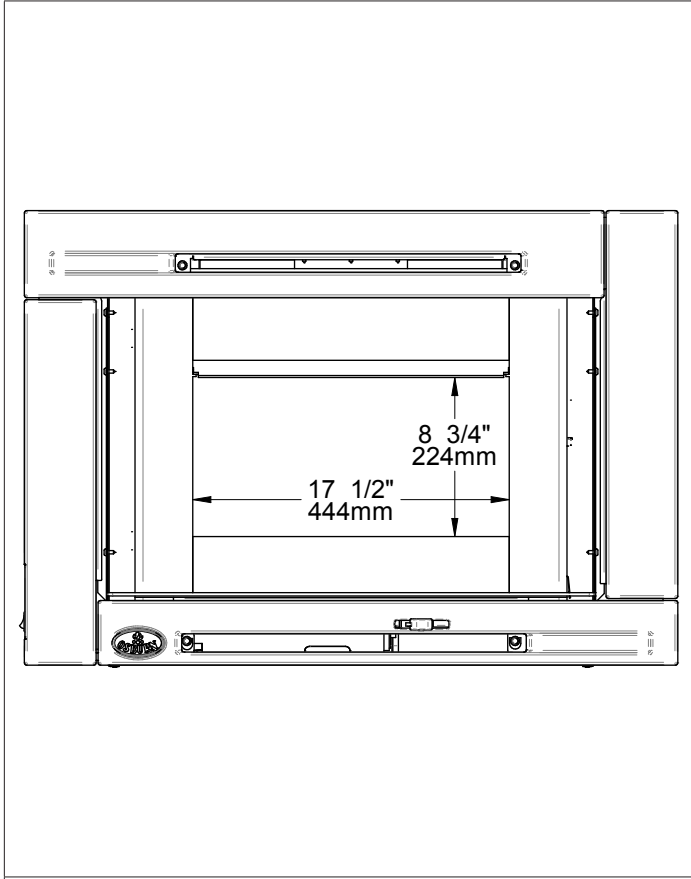


Figure 5: Door Opening

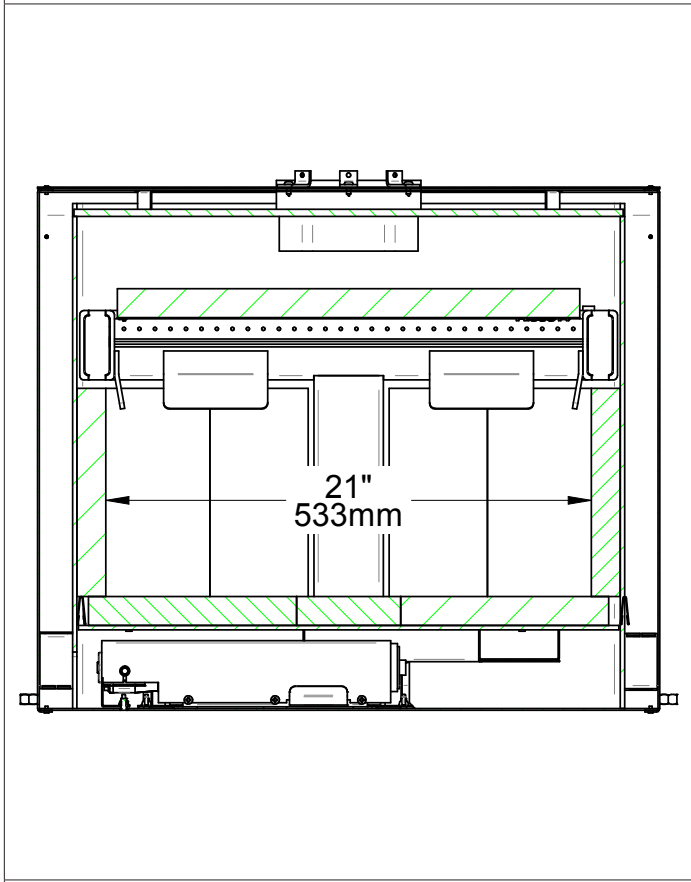


Figure 6: Front View - Combustion Chamber

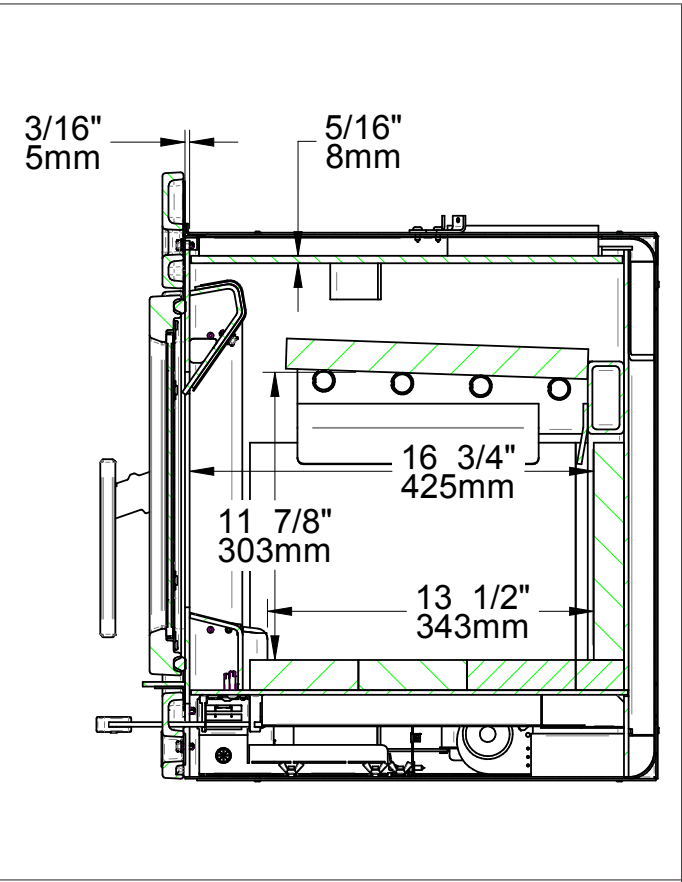


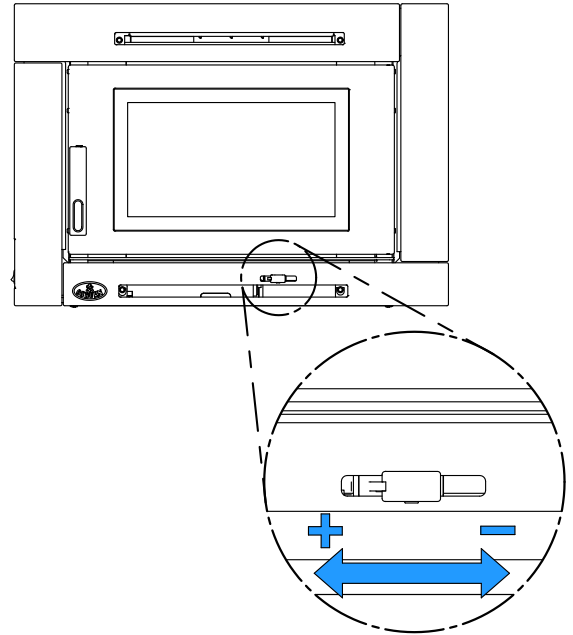
Figure 7: Side View - Combustion Chamber

## 2.4 EPA Certification Loading

For EPA Certification testing, wood logs were  $16 \pm 1$  inches long and the specie used was hard maple.

### 2.4.1 Air Control

The air control is located underneath the ash shelf. To open the air control, pull the air control handle completely to the left (High). This will increase the burn rate. To close the air control, push the air control handle completely to the right (Low). This will decrease the burn rate.



### 2.4.2 High burn rate

Open the air control completely. Place height small pieces (2" x 2") of wood in the firebox crossing them at the greatest possible angle. Criss cross 10 to 16 kindling wood pieces on the small pieces of wood in three layers at the greatest possible angle. Tie knot with five sheets of paper and place them on top of the kindling wood. Light up the paper and let the door ajar at  $90^\circ$  until all the kindling wood is on fire and the first row of small pieces of wood is on fire too. Close the door. When there is no more fire in the front of the firebox and there are only faint flames on the wood in the back of the firebox, break ashes, level the coal bed and put five logs in the firebox. Put 3 pieces on the coal bed, without air space between them. Leave one inch of air space between the rear firebrick and the first piece. The two other pieces should be added on top of the first 3, in an East-West configuration. Let the door ajar to leave a space of one inch on the door handle's side for 1 minute maximum and then close the door.

### 2.4.3 Medium and low burn rate

On a two inches thick coal bed that is still red, place three logs in an East-West orientation. There should be air space between each log and between the logs and the bricks. The two other pieces should be added on top of the first three, slightly angled of  $20^\circ$ . Let the door ajar at  $90^\circ$  for approximately 5 min. Then, close the door with the primary air control open. Leave to burn with the primary air control open for approximately 10 more minutes and then close the primary air control completely for the low burn rate and halfway for the medium burn rate. For better results, close the air control gradually from the closing of the door to the complete closing of the air control.

## 2.5 Materials

The SBI team is committed to protecting the environment, so they do everything they can to use only materials in their products that will have no lasting negative impact on the environment.

The **body** of this insert, which is most of its weight, is carbon steel. Should it ever become necessary many years in the future, almost the entire insert can be recycled into new products, thus eliminating the need to mine new materials.

The **paint** coating on the insert is very thin. Its VOC content (Volatile Organic Compounds) is very low. VOCs can be responsible for smog, so all the paint used during the manufacturing process meets the latest air quality requirements regarding VOC reduction or elimination.

The **air tubes** are stainless steel, which can also be recycled.

The **baffle** is made of C-Cast compressed with a binder to form a rigid board. C-Cast can withstand temperatures above 2,000°F. It is not considered hazardous waste. Disposal at a waste management center is recommended.

**The firebrick** is mainly composed of silicon dioxide, also known as silica, a product processed from a mined mineral. It is most commonly found in nature in the form of sand and clay. Disposal at a waste management center is recommended.

The door and glass **gaskets** are fiberglass which is spun from melted sand. Black gaskets have been dipped into a solvent-free solution. Disposal at a waste management center is recommended.

The door **glass** is a 5/32" (4 mm) thick ceramic material that contains no toxic chemicals. It is made of natural raw materials such as sand and quartz that are combined in such a way to form a high temperature glass. Ceramic glass cannot be recycled in the same way as normal glass, so it should not be disposed of with the regular household products. Disposal at a waste management center is recommended.

## 2.6 Zone Heating

This insert is a space heater, which means it is intended to heat the area it is installed in, as well as spaces that connect to that area, although to a lower temperature. This is called zone heating and it is an increasingly popular way to heat homes or spaces within homes.

Zone heating can be used to supplement another heating system by heating a particular space within a home, such as a basement, a family room or an addition that lacks another heat source.

Houses of moderate size and relatively new construction can be heated with a properly sized and located wood insert. Whole house zone heating works best when the insert is in the part of the house where the family spends most of its time. This is normally the main living area where the kitchen, dining and living rooms are located.

Locating the insert in this area will give the maximum benefit of the heat it produces and will achieve the highest possible heating efficiency and comfort. The space where the most time is spent will be warmest, while bedrooms and basement (if there is one) will stay cooler. In this way, less wood is burned than with other forms of heating.

Although the insert may be able to heat the main living areas of the house to an adequate temperature, it is strongly recommended to also have a conventional oil, gas or electric heating system to provide backup heating.

The success of zone heating will depend on several factors, including the correct sizing and location of the insert, the size, layout and age of the home and the climate zone. Three-season vacation homes can usually be heated with smaller inserts than houses that are heated all winter.

## 2.7 Emissions and Efficiency

The low smoke emissions produced by the special features inside this insert firebox means that the household will release up to 90% less smoke into the outside environment than if an older conventional insert was used. But there is more to the emission control technologies than protecting the environment.

The smoke released from wood when it is heated contains about half of the energy content of the fuel. By burning the wood completely, this insert releases all the heat energy from the wood instead of wasting it as smoke up the chimney. Also, the features inside the firebox allow control of the air supply meaning controlling the heat output, while maintaining clean and efficient flaming combustion, which boosts the efficient delivery of heat to the home.

The emission control and advanced combustion features of this insert can only work properly if the fuel used is in the correct moisture content range of 15% to 20%. Refer to the following section for suggestions on preparing fuelwood and judging its moisture.

## 3. Fuel

Good firewood has been cut to the correct length for the insert, split to a range of sizes and stacked in an open area until its moisture content is down to 15% to 20%.

### DO NOT BURN:

- **COAL;**
- **GARBAGE;**
- **LAWN CLIPPINGS OR YARD WASTE;**
- **MATERIALS CONTAINING RUBBER, INCLUDING TIRES;**
- **MATERIALS CONTAINING PLASTIC;**
- **WASTE PETROLEUM PRODUCTS, PAINTS OR PAINT THINNERS, OR ASPHALT PRODUCTS;**
- **MATERIALS CONTAINING ASBESTOS;**
- **CONSTRUCTION OR DEMOLITION DEBRIS;**
- **RAILROAD TIES OR PRESSURE-TREATED WOOD;**
- **MANURE OR ANIMAL REMAINS;**
- **SALT WATER DRIFTWOOD OR OTHER PREVIOUSLY SALT WATER SATURATED MATERIALS;**
- **UNSEASONED WOOD; OR**
- **PAPER PRODUCTS, CARDBOARD, PLYWOOD, OR PARTICLE BOARD. THE PROHIBITION AGAINST BURNING THESE MATERIALS DOES NOT PROHIBIT THE USE OF FIRE STARTERS MADE FROM PAPER, CARDBOARD, SAW DUST, WAX AND SIMILAR SUBSTANCES FOR THE PURPOSE OF STARTING A FIRE IN AN AFFECTED WOOD HEATER.**

**BURNING THESE MATERIALS MAY RESULT IN THE RELEASE OF TOXIC FUMES OR RENDER THE HEATER INEFFECTIVE AND CAUSE SMOKE.**

### 3.1 Tree Species

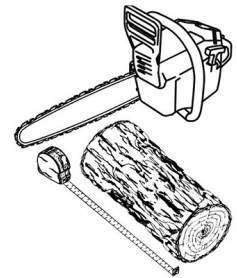
The tree species the firewood is produced from is less important than its moisture content. The main difference in firewood from various tree species is the density of the wood. Hardwoods are denser than softwoods.

Homeowners with access to both hardwood and softwood use both types for different purposes. Softer woods make good fuel for mild weather in spring and fall because they light quickly and produce less heat. Softwoods are not as dense as hardwoods so a given volume of wood contains less energy. Using softwoods avoids overheating the house, which can be a common problem with wood heating in moderate weather. Harder woods are best for colder winter weather when more heat and longer burn cycles are desirable.

Note that hardwood trees like oak, maple, ash and beech are slower growing and longer lived than softer woods like poplar and birch. That makes hardwood trees more valuable. The advice that only hardwoods are good to burn is outdated. Old, leaky cast iron inserts wouldn't hold a fire overnight unless they were fed large pieces of hardwood. That is no longer true.

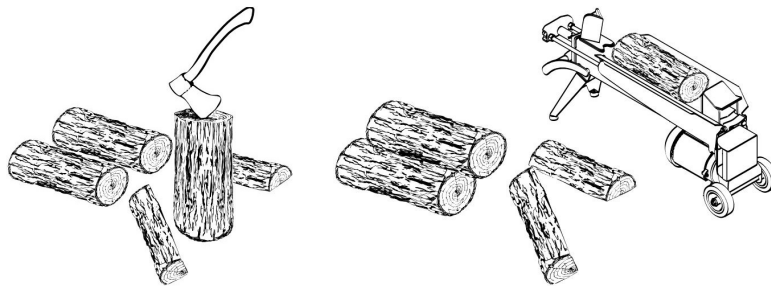
### 3.2 Log Length

Logs should be cut at least 1" (25 mm) shorter than the firebox so they fit in easily. Pieces that are even slightly too long makes loading the insert very difficult. The most common standard length of firewood is 16" (400 mm).



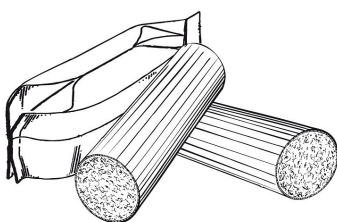
### 3.3 Piece Size

Firewood dries more quickly when it is split. Large unsplit rounds can take years to dry enough to burn. Even when dried, unsplit logs are difficult to ignite because they don't have the sharp edges where the flames first catch.



Wood should be split to a range of sizes, from about 3" to 6" (75 mm to 150 mm) in cross section. Having a range of sizes makes starting and rekindling fires much easier.

### 3.4 Compressed Wood Logs



Compressed wood logs made of 100% compressed sawdust can be burned with caution in the number of these logs burned at once. Do not burn compressed logs made of wax impregnated sawdust or logs with any chemical additives. Follow the manufacturer's instructions and warnings.

### 3.5 Drying Time



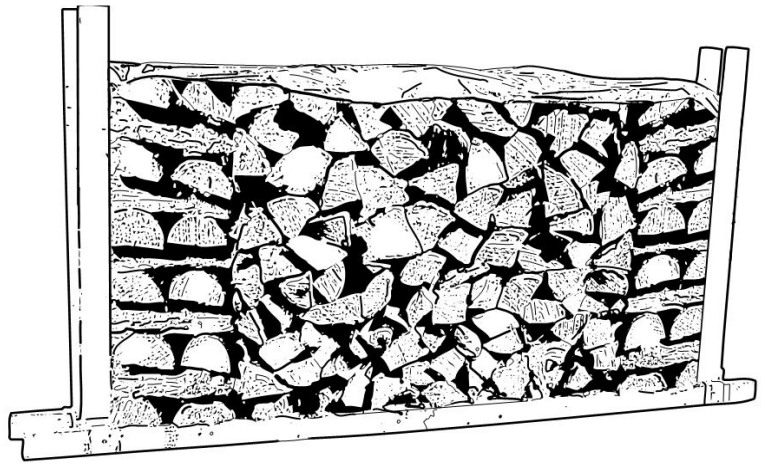
**This wood heater has a manufacturer-set minimum low burn rate that must not be altered. It is against federal regulations to alter this setting or otherwise operate this wood heater in a manner inconsistent with operating instructions in this manual.**

Firewood that is not dry enough to burn is the cause of most complaints about wood inserts. Continually burning green or unseasoned wood produces more creosote and involves lack of heat and dirty glass door.

Firewood with a moisture content between 15% and 20% will allow the insert to produce its highest possible efficiency.

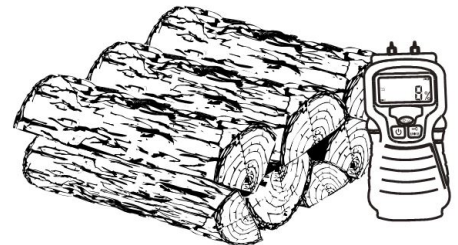
Here are some facts to consider in estimating drying time:

- Firewood bought from a dealer is rarely dry enough to burn, so it is advisable to buy the wood in spring and dry it yourself;
- Drying happens faster in dry weather than in a damp climate;
- Drying happens faster in warm summer weather than in winter weather;
- Small pieces dry more quickly than large pieces;
- Split pieces dry more quickly than unsplit rounds;
- Softwoods like pine, spruce, poplar, and aspen take less time to dry than hardwoods. they can be dry enough to burn after being stacked to air dry only for the summer months;
- Hardwoods like oak, maple and ash can take one, or even two years to dry fully, especially if the pieces are big;
- Firewood dries more quickly when stacked outside in a location exposed to sun and wind; it takes much longer to dry when stacked in a wood shed;



Use these guidelines to find out if the firewood is dry enough to burn:

- Cracks form at the ends of logs as they dry;
- The wood turns from white or cream colored to grey or yellow;
- Two pieces of wood struck together sounds hollow;
- Dry wood is much lighter in weight than wet wood,
- The face of a fresh cut feels warm and dry;
- The moisture content read by a moisture meter is between 15% to 20%.





## 4. Operating the Insert

Before using the insert, the following step should be completed :

- Install the faceplate (see «[Appendix 1: Faceplate Installation](#)»)
- Install the projection kit (refer to the installation instruction of the option for more details)
- Install the backing plate (refer to the installation instruction of the option for more details)

*The following step is optional :*

- Install the fresh air intake (See «[Appendix 2: Optional Fresh Air Intake Kit Installation](#)»).

### 4.1 Blower

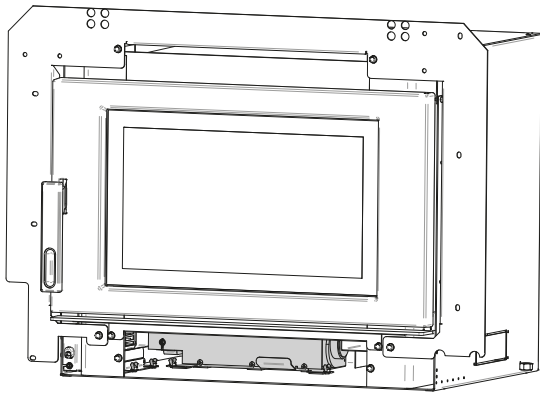


Figure 8: Blower location

A blower is already installed on this insert. It is located at the bottom of the insert. Its function is to increase airflow through the heat exchanger and improve hot air circulation in the room. When used regularly, the blower can provide a small increase in efficiency, up to 2%. However, the use of a blower should not be used as a way to gain more output from an insert that is undersized for the space it is intended to heat.



Ensure the blower cord is not in contact with any surface of the insert to prevent electrical shock or fire damage. Do not run cord beneath the insert.

Allow the insert to reach operating temperature (approximately one hour) before turning on the blower, since increased airflow from the blower will remove heat and affect the start up combustion efficiency.

The blower is equipped with a heat sensor. Therefore, the switch can be left in the automatic position **(1)**. The blower will start automatically when the insert is hot enough and it will stop when the insert has cooled down. The switch can also be set to the manual position **(3)** to turn on the blower manually and have it run continuously. The position **(2)** stops the blower and prevent it from starting automatically when the insert is hot enough.

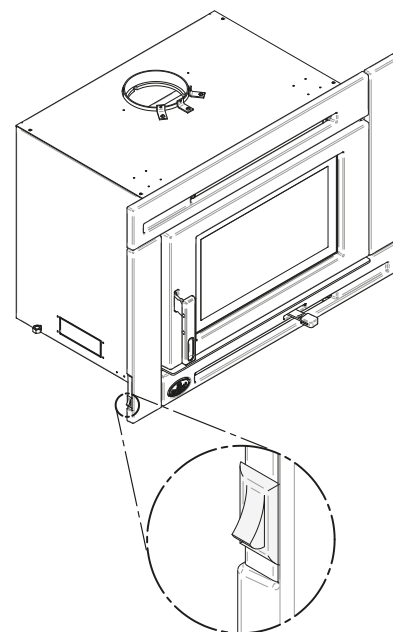
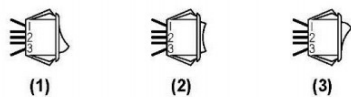


Figure 9: Blower switch

## 4.2 The Use of a Fire Screen

**In the United States or in provinces with a particulate emission limit (eg US EPA), the use of wood stoves with open door with and fire screen is prohibited.**

This stove has been tested for use with an open door in conjunction with a fire screen, sold separately. Make sure the fire screen is properly secured on the stove to avoid any risk of fire. When the fire screen is in use, it is important not to leave the stove unattended to respond promptly in the event of smoke spillage into the room. Potential causes of smoke spillage are described in Section [«10. The Venting System»](#) of this manual. See [«Appendix 4: Optional Fire Screen Installation»](#) for installation instructions.

## 5. Burning Wood Efficiently

### 5.1 First Use

Two things happen when burning the first few fires; the paint cures and the internal components are conditioned. As the paint cures, some of the chemicals vaporize. The vapors are not poisonous, but they smell bad. Fresh paint fumes can also trigger false alarms in smoke detectors. When lighting the heater for the first few times, it may be wise to open doors and windows to ventilate the house.

Burn two or three small fires to begin the curing and conditioning process. Then build bigger and hotter fires until there is no longer paint smell from the insert. As hotter and hotter fires are burned, more of the painted surfaces reach the curing temperature of the paint. The smell of curing paint does not disappear until one or two very hot fires have been burned.

### 5.2 Lighting Fires

Each person heating with wood develops its own favorite way to light fires. Regardless of the method chosen, the goal should be to have a hot fire burning, quickly. A fire that ignites fast produces less smoke and deposits less creosote in the chimney.



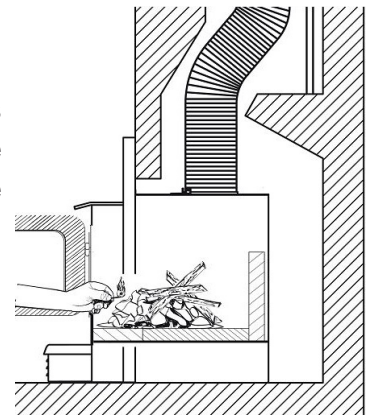
**Never use gasoline, gasoline-type lantern fuel (naphtha), fuel oil, motor oil, kerosene, charcoal lighter fluid, or similar liquids or aerosols to start or ‘freshen up’ a fire in this wood insert. Keep all such liquids well away from the insert while it is in use.**

*Here are three popular and effective ways to ignite wood fires.*

#### 5.2.1 Conventional Method

The conventional method to build a wood fire is to crumple 5 to 10 sheets of newspaper and place them in the firebox and hold them in place with ten pieces of kindling wood. The kindling should be placed on and behind the newspaper. Then add two or three small pieces of firewood. Open the air intake control completely and ignite the newspaper. Leave the door slightly ajar. Once the fire has ignited, the door can be closed with the air control still fully open. When the kindling is almost completely burned, standard firewood pieces can be added.

*Do not leave the insert unattended when the door is slightly open. Always close and latch the door after the fire ignites.*



### 5.2.2 *The Top Down Method*

This method is the opposite of the conventional method and only works properly if well-seasoned wood is used.

Place three or four small, split, dry logs in the firebox. Arrange the kindling wood on the logs in two layers at right angles and place a dozen finely split kindling on the second row.

It is possible to use ragged paper but it may not hold in place since it tends to roll while it is burning. The best is to wrap a sheet on itself, grab the ends of the roll and make a knot.

Use four or five sheets of paper tied together and put them on top and around the kindling. Open the air intake control completely, ignite the paper and close the door.

The top down fire method has two advantages over the traditional method: first, the fire does not collapse on itself, and it is not necessary to add wood gradually since the combustion chamber is full before the fire is lit.

### 5.2.3 *Two Parallel Logs Method*

Two spit logs are placed in the firebox with a few sheets of twisted newspapers in between the logs. Fine kindling is added across the two logs and some larger kindling across those, log cabin style. Newspaper is lit.

### 5.2.4 *Using Fire Starters*

Commercial fire starters can be used instead of a newspaper. Some of these starters are made of sawdust and wax and others are made of specialized flammable solid chemicals. Always follow the package directions when using. Gel starters can also be used, but only to light a fire, in a cold combustion chamber without hot embers inside.

## 5.3 **Combustion Cycles**

Wood heating with a space heater is very different than other forms of heating. There will be temperature variations in different parts of the house and there will be temperature variations throughout day and night. This is normal, and for experienced wood burners these are advantages of zone heating wood burning.

Wood heaters don't have a steady heat output. It is normal for the temperature to rise after a new load of wood is ignited and for its temperature to gradually decrease throughout the burning cycle. This increasing and decreasing temperature can be matched with the household routines. For example, the temperature in the area can be cooler when the household is active, and it can be warmer when it is inactive.

Wood burns best in cycles. A cycle starts when a new load of wood is ignited by hot coals and ends when that load has been consumed down to a bed of charcoal about the same size as it was when the wood was loaded.

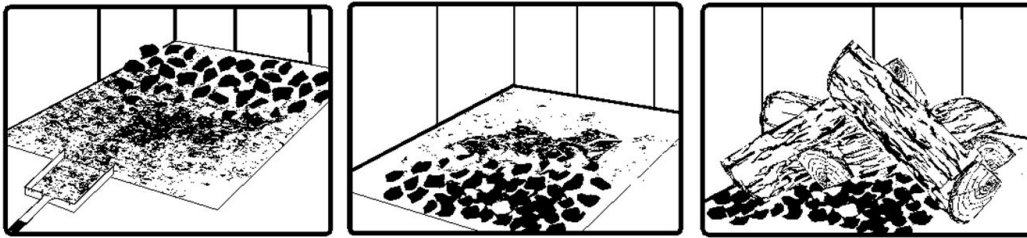
Trying to produce a steady heat output by placing a single log on the fire at regular intervals is not recommended. Always place at least three, and preferably more pieces on the fire at a time so that the heat radiated from one piece helps to ignite the pieces next to it. Each load of wood should provide several hours of heating. The size of each load may vary depending on the amount of heat required.

Burning in cycles means the loading door does not need to be opened while the wood is flaming. This is an advantage since it is preventing smoke leaking from the heater when the door is opened as a full fire is burning. This is especially true if the chimney is on the outside wall of the house.

*If the door must be opened while the fire is flaming, fully open air control for a few minutes then open the door slowly.*

#### 5.4 Rekindling a Fire

When the temperature of the room is lower and all that remains is embers, it is time to reload. Remove excess ash from the front of the firebox and bring the ashes forward. Place a new load of wood on, and at the back of the embers. Open the air control completely and close the door.



Raking the coals is useful for two reasons. First, it brings them near where most of the combustion air enters the firebox. This will ignite the new load quickly. Secondly, the charcoal will not be smothered by the new load of wood. When the embers are simply spread inside the combustion chamber, the new load smoulder for a long time before igniting.

Close the air control only when the firebox is full of bright turbulent flames, the wood is charred, and its edges are glowing.

*The heater should not be left unattended during ignition and the fire should not burn at full intensity for more than a few minutes.*

When lighting a new load, the appliance produces a heat surge. This heat surge is pleasant when the room temperature is cool but can be unpleasant when the room is already warm. Therefore, it is best to let each load of wood burn completely so that the room cools down before putting a load of wood back on.

#### 5.5 Removing Ashes

Ash should be removed from the firebox every two to three days of full time heating. Ash should not accumulate excessively in the firebox since it will affect the proper operation of the appliance.

The best time to remove ash is in the morning, after an overnight fire when the insert is relatively cold, but there is still a little chimney draft to draw the ash dust into the insert and prevent going out into the room.

Ashes almost always contain live embers that can stay hot for days and which release carbon monoxide gas. Ashes should be placed in a tightly covered metal container. The container must be placed on a non-combustible floor or on the ground well away from all combustible materials.

If the ashes are disposed of by burial in soil or otherwise locally dispersed, they should be kept in a closed metal container until they are completely cooled. No other waste should be placed in this container.



**NEVER STORE ASHES INDOORS OR IN A NON-METALLIC CONTAINER OR ON A WOODEN DECK.**

## 5.6 Air Intake Control

Once the firewood, firebox and chimney are hot, air intake can be reduced to achieve a steady burn.

As the air intake is reduced, the burn rate decreases. This has the effect of distributing the thermal energy of the fuel over a longer period of time. In addition, the flow rate of exhaust through the appliance and flue pipe slows down, which increases the duration of the energy transfer of the exhaust gases. As the air intake is reduced, the flame slows down.

If the flames diminish to the point of disappearing, the air intake has been reduced too early in the combustion cycle or the wood used is too wet. If the wood is dry and the air control is used properly, the flames should decrease, but remain bright and stable.

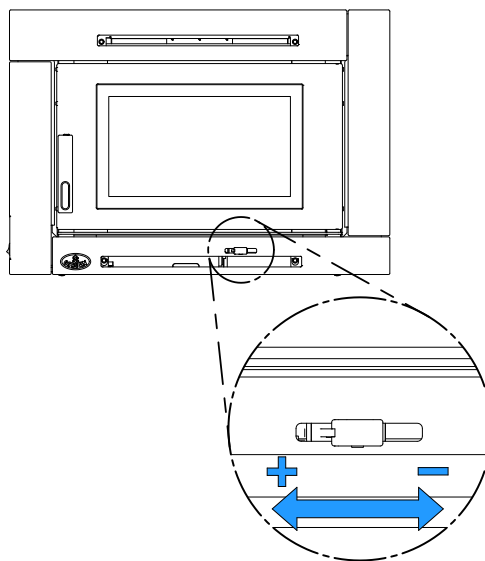


Figure 10: Air Intake Control

On the other hand, too much air can make the fire uncontrollable, creating very high temperatures in the unit as well as in the chimney and seriously damaging them. A reddish glow on the unit and on the chimney components indicates overheating. Excessive temperatures can cause a chimney fire.

## 5.7 Fire Types

Using the air intake control is not the only way to match the insert heat output to the desired temperature in the house. A house will need far less heating in October than in January to maintain a comfortable temperature. Filling the firebox full in fall weather will overheat the space. Otherwise, the combustion rate will have to be reduced to a minimum and the fire will be smoky and inefficient.

*Here are some suggestions for building fires suitable for different heating needs.*

### 5.7.1 Flash Fire

To build a small fire that will produce a low heat output, use small pieces of firewood and load them crisscross in the firebox. The pieces should only be 3" to 4" in diameter. After raking the coals, lay two pieces parallel to each other diagonally in the firebox and lay two more across them in the other direction. Open the air control fully and only reduce the air after the wood is fully flaming. This kind of fire is good for mild weather and should provide enough heat for up to four hours. Small fires like this are a good time to use softer wood species and avoid overheating the house.

### 5.7.2 *Low and Long Output Fires*

For a fire that will last up to eight hours but will not produce intense heat, use soft wood and place the logs compactly in the firebox. Before reducing the air intake, the load will have to burn at full heat for long enough for charring the surface of the logs. The flame must be bright before letting the fire burn by itself.

### 5.7.3 *High Output Fires*

When heating needs are high during cold weather, the fire should burn steadily and brightly. This is the time to use larger pieces of hardwood. Place the biggest pieces at the back of the firebox and place the rest of the pieces compactly. A densely built fire like this will produce the longest combustion this insert is capable of. Special attention must be paid when building fires like this since if the air intake is reduced too quickly, the fire could smoulder. The wood must be flaming brightly before leaving the fire to burn.

### 5.7.4 *Burn Cycle Times*

The burn cycle time is the period between loading wood on a coal bed and the consumption of that wood back to a coal bed of the same size. The flaming phase of the fire lasts for roughly the first half of the burn cycle and the second half is the coal bed phase during which there is little or no flame. The burning time expected from this insert, including both phases, will vary depending on a number of things, such as:

- firebox size,
- the amount of wood loaded,
- the species of wood,
- the wood moisture content,
- the size of the space to be heated,
- the climate zone where the house is, and
- the time of the year.

The table below gives an approximate maximum burn cycle times, based on firebox volume.

**Table 1 : Approximate Maximum Burn Cycle Time**

<b>FIREBOX VOLUME</b>	<b>MAXIMUM BURN CYCLE TIME</b>
<1.5 cubic feet	3 to 5 hours
1.5 c.f. to 2.0 c.f.	5 to 6 hours
2.0 c.f. to 2.5 c.f.	6 to 8 hours
2.5 c.f. to 3.0 c.f.	8 to 9 hours
>3.0 c.f.	9 to 10 hours

A longer burning time is not necessarily an indication of efficient insert operation. It is preferable to build a smaller fire that will provide three or four hours of heating than to fully load the firebox for a much longer burn. Shorter burn cycles make it easier to match the heat output of the insert to the heat demand for the space.

### 5.7.5 *Logs Orientation*

In a relatively square firebox, the wood can be loaded north-south (ends of the logs visible) or east-west (sides of the logs visible).

North-south loads allow more wood to be loaded at the same time. On the other hand, they break into smaller pieces faster. North-south loading is good for high output, long lasting fires for cold weather.

East-west loads allow a limited amount of wood since too many logs could cause them to fall on the glass. East-west loads, placed in a compact way, take a long time before breaking down. They are excellent for low-intensity, long-lasting fires in relatively mild weather.

### 5.7.6 Carbon Monoxide

When there is no more flame in the firebox and there are still some unburned logs, check outside if there is smoke coming out of the chimney. If this is the case, it means that the fire is out of air to burn properly. In this situation, the level of CO increase and it is important to react. Open the door slightly and move the logs with a poker. Create a passage for the air below by making a trench with the ember bed. Add small pieces of wood to restart the combustion.

## 6. Maintenance

This heater will give many years of reliable service if used and maintained properly. Internal components of the firebox such as firebricks or refractory panels, baffle and air tubes will wear over time. Defective parts should always be replaced with original parts see [«Appendix 8: Exploded Diagram and Parts List»](#). To avoid premature deterioration, follow the lighting and reloading procedures in section [«5. Burning Wood Efficiently»](#) and also avoid letting the heater run with the air intake fully open for entire burn cycles.

### 6.1 Cleaning and Painting

Painted and plated surfaces can be wiped down with a soft, damp cloth. If the paint is scratched or damaged, it is possible to repaint the insert with a heat-resistant paint. **Do not clean or paint the insert when it is hot.** Before painting, the surface should be sanded lightly with sandpaper and then wiped off to remove dust. Apply two thin layers of paint.

### 6.2 Refractory Material and Baffle

Inspect the firebricks or the refractory panels and the baffle for damage periodically and replace anything that is cracked or broken.

*Operation of the heater with a cracked or missing baffle may cause unsafe temperatures and hazardous conditions and will void the warranty.*

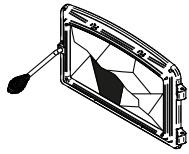
### 6.3 Glass Door

#### 6.3.1 Cleaning

Under normal conditions, the door glass should stay relatively clear. If the firewood is dry enough and the operating instructions in this manual are followed, a whitish, dusty deposit will form on the inner surface of the glass after a week or so of use. This is normal and can be easily removed when the heater is cold by wiping with a damp cloth or paper towel and then drying.

When the insert runs at a low combustion rate, light brown stains may form, especially in the lower corners of the glass. This indicates that the fire has been smoky and some of the smoke has condensed on the glass. It also indicates incomplete combustion of the wood, which also means more smoke emissions and faster formation of creosote in the chimney. The deposits that form on the glass are the best indication of the fuel quality and success in properly using the insert. These stains can be cleaned with a special wood insert glass cleaner. **Do not use abrasive products to clean the glass.**

The goal should be having a clear glass with no brown stains. If brown stains appear regularly on the glass, something about the fuel or the operating procedure needs to be changed. When brown streaks are coming from the edge of the glass, it is time to replace the gasket around the glass. Always replace the gasket with a genuine one.



**Do not clean the glass when the insert is hot.**

**Do not abuse the glass door by striking or slamming shut.**

**Do not use the insert if the glass is broken.**

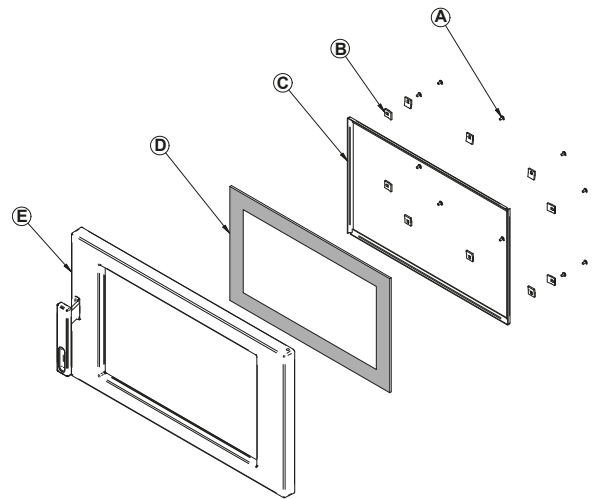
### 6.3.2 Replacement

ENGLISH

The glass used is a ceramic glass, 5/32» (4 mm) thick, tested to reach temperatures up to 1400 °F. If the glass breaks, it must be replaced with one having the same specification (see “Exploded Diagram and Parts List” to know the product code). **Tempered glass or ordinary glass will not withstand the high temperatures of this unit.**

To remove or replace the glass **(D)**:

1. Remove the door from its hinges and lay it on a soft, flat surface.
2. Remove the screws **(A)**, the glass retainers **(B)**, and the metal frames **(C)**.
3. Remove the glass **(D)**. If it is damaged install a new one in place. The replacement glass must have a gasket all around (see procedure below).
4. Reinstall the glass, being careful to centre the glass in the door and not to over-tightening the retaining screw.

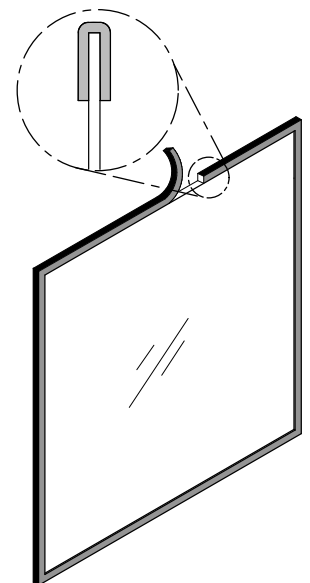


*The two main causes of broken door glass are uneven placement in the door and over-tightening the retaining screws.*

### 6.3.3 Gasket

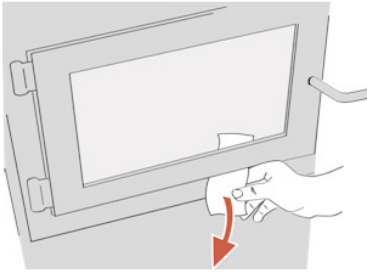
The glass gasket is flat, adhesive-backed, woven fibreglass. The gasket must be centred on the edge of the glass.

1. Follow the steps of the previous section to remove the glass.
2. Remove the old gasket and clean the glass thoroughly.
3. Peel back a section of the paper covering the adhesive and place the gasket on a table with the adhesive side up.
4. Stick the end of the gasket to the middle of one edge, then press the edge of the glass down onto the gasket, taking care that it is perfectly centred on the gasket.
5. Peel off more of the backing and rotate the glass. The gasket must not be stretched during installation.
6. Cut the gasket to the required length. Pinch the gasket onto the glass in a U-shape, all around the glass.





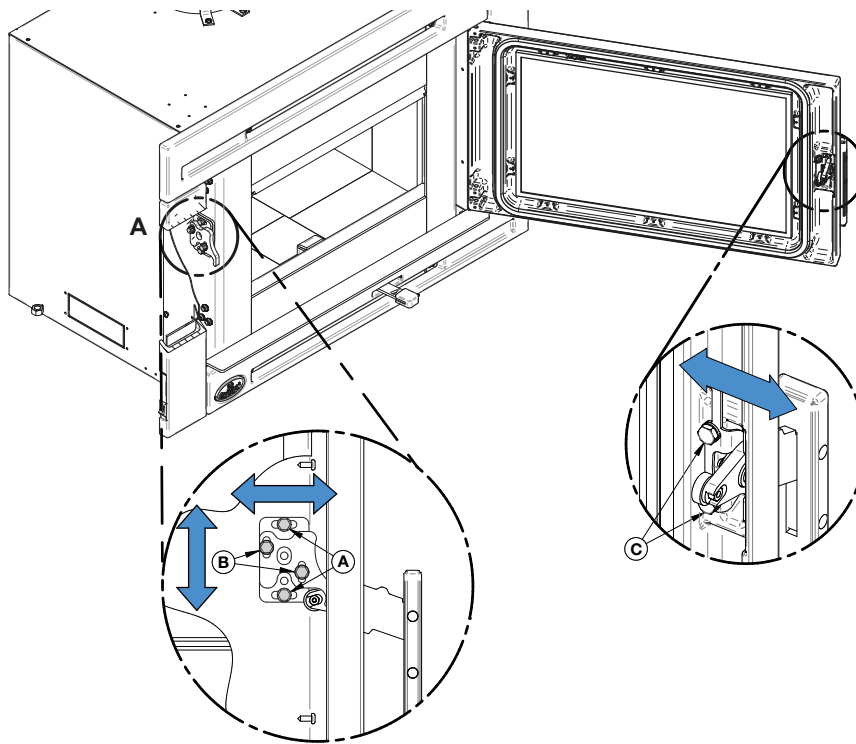
## 6.4 Door



In order for the insert to burn at its best efficiency, the door must provide a perfect seal with the firebox. Therefore, the gasket should be inspected periodically to check for a good seal. The tightness of the door seal can be verified by closing and latching the door on a strip of paper. The test must be performed all around the door. If the paper slips out easily anywhere, either adjust the door or replace the gasket.

### 6.4.1 Adjustment

Unscrew the top and bottom bolts **(A)** to adjust the depth of the lock, the tension on the door and on the gasket. Unscrew the left and right bolts **(B)** to adjust the angle of the door handle. Unscrew the bolts on the door handle **(C)** to align the ball bearing with the door latch.



### 6.4.2 Gasket

It is important to replace the gasket with another having the same diameter and density to maintain a good seal.

1. Remove the door and place it face-down on something soft like a cushion of rags or a piece of carpet.
2. Remove the old gasket from the door. Use a screwdriver to scrape the old gasket adhesive from the door gasket groove.
3. Apply a bead of approximately 3/16" (5 mm) of high temperature silicone in the door gasket groove. Starting from the middle, hinges side, press the gasket into the groove. The gasket must not be stretched during installation.
4. Leave about 1/2" long of the gasket when cutting and press the end into the groove. Tuck any loose fibers under the gasket and into the silicone. Close the door. Do not use the insert for 24 hours.

## 6.5 Exhaust System

Wood smoke can condense inside the chimney, forming a flammable deposit called creosote. If creosote builds up in the system, it can ignite when a hot fire is burned in the insert. A very hot fire can progress to the top of the chimney. Severe chimney fires can damage even the best chimneys. Smouldering, smoky fires can quickly cause a thick layer of creosote to form. When the insert is operated properly, the exhaust from the chimney is mostly clear and creosote builds up more slowly.

### «Creosote - Formation and Need to Removal

*When wood is burned slowly, it produces tar and other organic vapors, which combine with expelled moisture to form creosote. The creosote vapors condense in the relatively cooler chimney flue of a slow-burning fire. As a result, creosote residue accumulates on the flue lining. When ignited this creosote makes an extremely hot fire.*

*The chimney connector and chimney should be inspected at least once every two months during the heating season to determine if a creosote buildup has occurred. If creosote has accumulated ( $\frac{1}{8}$ " [3 mm] or more it should be removed to reduce the risk of a chimney fire»*

### 6.5.1 Cleaning frequency

It is not possible to predict how much or how quickly creosote will form in the chimney. It is important, therefore, to check the build-up in the chimney monthly until the rate of creosote formation is determined. Even if creosote forms slowly in the system, the chimney should be cleaned and inspected at least once each year.

Establish a routine for the fuel, wood burner and firing technique. Check daily for creosote build-up until experience shows how often you need to clean to be safe. Be aware that the hotter the fire, the less creosote is deposited and weekly cleaning may be necessary in mild weather even though monthly cleaning may be enough in the coldest months. Contact your local municipal or provincial fire authority for information on how to handle a chimney fire. Have a clearly understood plan to handle a chimney fire.

### 6.5.2 Sweeping the Chimney



Chimney sweeping can be a difficult and dangerous job. People with no chimney sweeping experience will often prefer to hire a professional chimney sweep to inspect and clean the system for the first time. After seeing the cleaning process, some will choose to do it themselves.

The chimney should be checked regularly for creosote build-up. Inspection and cleaning of the chimney can be facilitated by removing the baffle. See [«Appendix 6: Air Tubes and Baffle Installation»](#) for more details.

### 6.5.3 Chimney Fire

Regular chimney maintenance and inspection can prevent chimney fires. If you have a chimney fire, follow these steps:

1. Close the insert door and the air intake control;
2. Alert the occupants of the house of the possible danger;
3. If you require assistance, alert the fire department;
4. If possible, use a dry chemical fire extinguisher, baking soda or sand to control the fire. *Do not use water* as it may cause a dangerous steam explosion;

**Do not use the appliance again until the insert and its chimney have been inspected by a qualified chimney sweep or a fire department inspector.**

## PART B - INSTALLATION

### 7. Masonry Fireplace Requirements

The masonry fireplace must meet the minimum requirements found in the building code enforced locally, or the equivalent, for a safe installation. Contact the local building inspector for requirements in the area. An inspection of the fireplace should include the following:

#### 7.1 Fireplace and Chimney Condition

The masonry fireplace and chimney should be inspected prior to installation, to confirm that they are free from cracks, loose mortar, creosote deposits, blockage, or other signs of deterioration. If evidence of deterioration is noted, the fireplace or chimney should be upgraded and cleaned prior to installation.

Masonry or steel, including the damper plate, may be removed from the smoke shelf and adjacent damper frame if necessary to accommodate the insert's chimney liner, provided that their removal will not weaken the structure of the fireplace and chimney, and will not reduce protection for combustible materials to less than what is required by the building code.

Removal of any parts, which render the fireplace unfit for use with solid fuel, requires the fireplace to be permanently labelled by the installer as being no longer suitable for solid fuel, until the removed parts are replaced and the fireplace is restored to its original certified condition. Also, any air vents, grilles, or louvers that allow air circulation around the fireplace must not be removed or blocked.

#### 7.2 Chimney Caps

Mesh type chimney caps must have provision for regular cleaning, or the mesh should be removed to eliminate the potential of plugging.

#### 7.3 Adjacent Combustibles

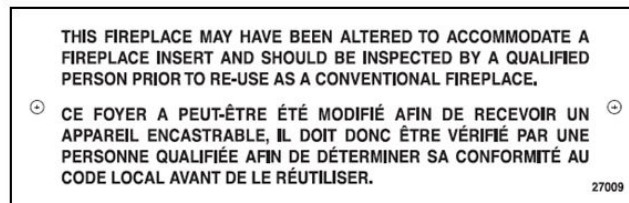
The fireplace should be inspected to make sure that there is adequate clearance to combustibles, both exposed combustibles to the top, side, and front as well as concealed combustibles, in the chimney and mantle area. The local inspector should have information on whether older fireplaces are of adequate construction.

## 7.4 Opening Size

Refer to section «[9.3 Minimum Masonry Opening and Clearances to Combustibles](#)» for suitable size fireplace openings.

## 7.5 Masonry Fireplace Throat Damper

If the fireplace draft control system is to remain in the masonry fireplace, it must be locked open for easy access to the chimney liner or removed entirely. If it is removed from the masonry hearth, the notice plate 27009 must be installed in a visible place, inside the masonry hearth. The plate can be found in the owner's manual kit.



## 8. Safety Information and Standards

- The information given on the certification label affixed to the appliance always overrides the information published, in any other media (owner's manual, catalogues, flyers, magazines and web sites).
- Mixing of appliance components from different sources or modifying components may result in hazardous conditions. Where any such changes are planned, SBI should be contacted in advance.
- Any modification of the appliance that has not been approved in writing by the testing authority violates CSA B365 (Canada), and ANSI NFPA 211 (USA).
- Connect this insert only to a listed stainless steel chimney liner for use with solid fuel.
- If required, a supply of combustion air shall be provided to the room.
- **CAUTION: DO NOT CONNECT TO OR USE IN CONJUNCTION WITH ANY AIR DISTRIBUTION DUCTWORK UNLESS SPECIFICALLY APPROVED FOR SUCH INSTALLATION.**
- **CAUTION: DO NOT CONNECT THIS UNIT TO A CHIMNEY FLUE SERVING ANOTHER APPLIANCE.**
- The insert and its stainless steel chimney liner are to be installed only within a lined masonry chimney and masonry fireplace conforming to building codes for use with solid fuel. Do not remove bricks or mortar from the existing fireplace when installing the insert.
- To be installed as a freestanding room heater with the clearances in the manufacturer's installation instructions. It is strictly forbidden to install this room heater in any factory-built fireplace.

### 8.1 Regulations Covering Insert Installation

When installed and operated as described in these instructions, this wood insert is suitable for use in residential installations but is not intended for installation in a bedroom.

In Canada, the CSA B365 Installation Code for Solid Fuel Burning Appliances and Equipment and the CSA C22.1 Canadian National Electrical Code are to be followed in the absence of local code requirements. In the USA, the ANSI NFPA 211 Standard for Chimneys, Fireplaces, Vents

and Solid Fuel-Burning Appliances and the ANSI NFPA 70 National Electrical Code are to be followed in the absence of local code requirements.

This insert must be installed with a continuous chimney liner of 6" diameter extending from the insert to the top of the chimney. The chimney liner must conform to the Class 3 requirements of CAN/ULC-S635, Standard for Lining Systems for Existing Masonry or Factory-built Chimneys and Vents, or CAN/ULC-S640, Standard for Lining Systems for New Masonry Chimneys or UL1777, Standard for Safety for Chimney Liners.

*The insert is not approved for use with a so-called "positive flue connection" to the clay tile of a masonry chimney.*

## 8.2 Certification Label

Since the information given on the certification label attached to the appliance always overrides the information published in any other media, it is important to refer to it to have a safe and compliant installation. The model and the serial number can also be found on the label.

The certification label is located underneath the insert, behind the blower. It is recommended to note the insert serial number on [page 5](#) of this manual. It will be needed to identify the version of the appliance in the event replacement parts or technical assistance is required.

## 9. Clearances to Combustible Material

When the insert is installed so that its surfaces are at or beyond the minimum clearances specified, combustible surfaces will not overheat under normal and even abnormal operating conditions.

**NO PART OF THE INSERT MAY BE LOCATED CLOSER TO THE COMBUSTIBLE THAN THE MINIMUM CLEARANCE FIGURES GIVEN.**

### 9.1 Installation of a Combustible Mantel Shelf

It is possible to install a combustible shelf with a maximum depth of 12" (305 mm) at a height of at least 27" (686 mm) above the insert. At a height of more than 27" (686 mm), the shelf must still have a maximum depth of 12" (305 mm).

**Table 2 : Mantel Shelf Clearances**

MAXIMUM MANTEL SHELF DIMENSION (X)	MANTEL SHELF CLEARANCES (I)
12" (305mm) max.	27" (686 mm) min.

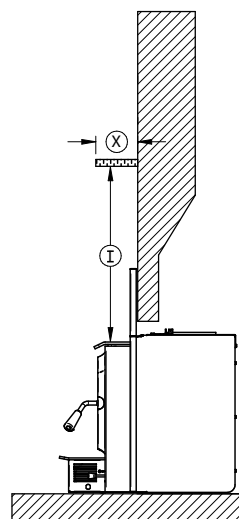


Figure 11: Shelf Clearances

## 9.2 Floor Protection

It is necessary to have a floor protection made of non-combustible materials that meets the measurements specified in the table below.

**Table 3 : Floor Protection**

	FLOOR PROTECTION	
	Canada	USA
<b>B<sup>15</sup></b>	18" (457 mm)	16" (406 mm)
<b>M</b>	8" (203 mm)	N/A
<b>N</b>	N/A	8" (203 mm)

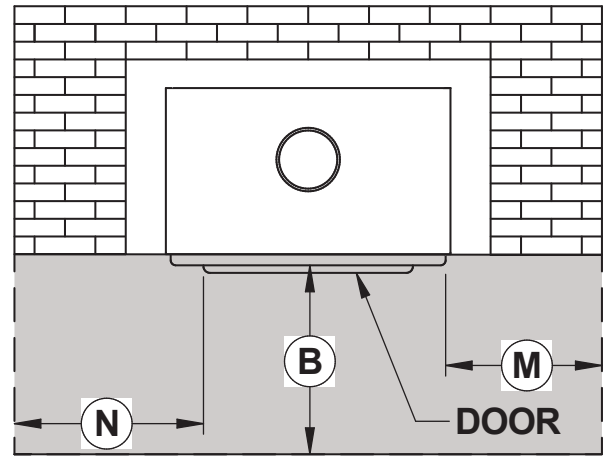


Figure 12: Floor Protection

To determine the need to add floor protection (**D**) beyond the hearth extension (**A**), the following calculation must be done using the data in [«Table 4 : Data for Floor Protection Calculation»](#) of this section:  $D = B - G$ , where  $G = A - C$ .

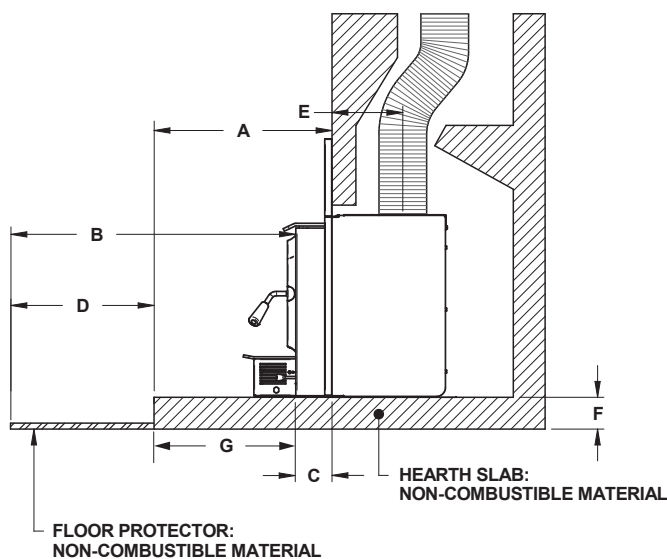


Figure 13: Additional Floor Protection - Raised Installation

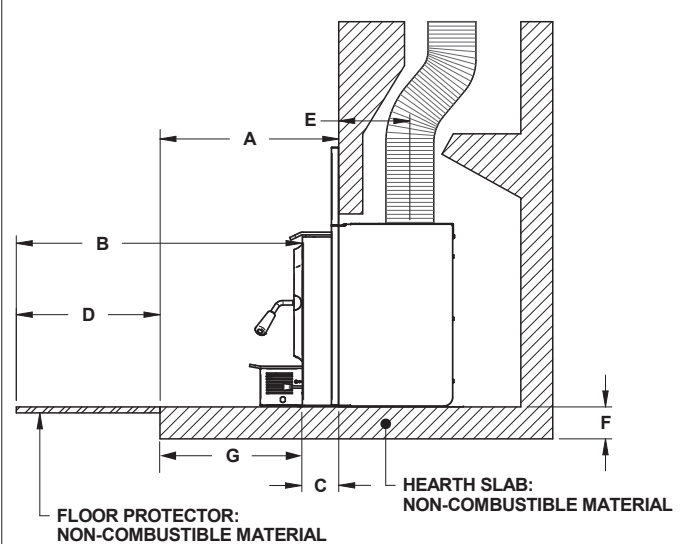


Figure 14: Additional Floor Protection - Not Raised Installation

The standard configuration of the insert does not include any projection of the insert in front of the fireplace opening. Although, it is possible to position the insert to obtain for a 2" (51 mm) or 4" (102 mm) projection in front of the fireplace with the use of the projection assembly option. The choice of configuration will depend on compliance with previous installation instructions and compliance with building code requirements.

<sup>15</sup>From door opening. The depth of the hearth extension in front of the insert is included in the calculation of the floor protector's dimensions. The masonry hearth should be at least 5" (127 mm) higher than the combustible floor in front of it and a floor protection must extend at least 16" (406 mm USA) and at least 18" (457 mm Canada) without an R value. If the hearth elevation is lower than 5" (127 mm), the non-combustible (B) floor protection in front of the insert should have an R value equal or greater than 1.00 and shall extend 23" (584 mm) in front of the unit.

**Table 4 : Data for Floor Protection Calculation**

	<b>A</b>	<b>B</b>	<b>C</b>	<b>D</b>	<b>E</b>	<b>Air Jacket</b>
<b>Maximum Extended</b>	Dimension of the hearth extension	See section 9.2.1 and 9.2.2	2" (51 mm) 4" (102 mm)	$G = (A-C)$ $D=B- G$	10" (254 mm) 12" 305 mm)	2" or 4" back from fireplace facing
<b>Minimum Extended</b>	Dimension of the hearth extension	See section 9.2.1 and 9.2.2	0" (0 mm)	$G = (A-C)$ $D=B- G$	14" (356 mm)	flush with fireplace facing

If the value **(D)** is negative or zero, additional floor protection in front of the unit is not needed because the masonry fireplace hearth extension is long enough. If the value **(D)** is positive, an additional floor protection in front of the hearth extension at least equivalent to the result **(D)** must be added.

### 9.2.1 Installation Raised of 5" (127 mm) and Less

If non-combustible material floor protection needs to be added in front of and level with the hearth extension of the masonry fireplace ( $F = 5"$  [127 mm] or less), an R-value equal to or greater than 1.00 is required and should extend at least 23" (584 mm) in front of the unit **(B)**. Refer to [«Figure 14: Additional Floor Protection - Not Raised Installation»](#)

### 9.2.2 Installation Raised of More Than 5" (127 mm)

If the extension of the masonry hearth is raised at least 5" (127 mm) from the floor protection, a non-combustible material, without an R-value, must extend at least 16" (406 mm in USA) or 18" (457 mm in Canada) in front of the unit **(B)**. Refer to [«Figure 13: Additional Floor Protection - Raised Installation»](#).

### 9.2.3 R Value

There are two ways to calculate the R-value of the floor protection. First, by adding the R-values of materials used, or by the conversion if the K factor and thickness of the floor protection are given.

To calculate the total R value from R values of the materials used, simply add the R-values of materials. If the result is equal to or greater than the R-value requirements, the combination is acceptable. R-values of some selected materials are shown below :

**Table 5 : Thermal Characteristics of Common Floor Protection Materials<sup>16</sup>**

<b>MATERIAL</b>	<b>CONDUCTIVITY (K) PER INCH</b>	<b>RESISTANCE (R) PER INCH THICKNESS</b>
Micore® 160	0.39	2.54
Micore® 300	0.49	2.06
Durock®	1.92	0.52
Hardibacker®	1.95	0.51
Hardibacker® 500	2.3	0.44
Wonderboard®	3.23	0.31
Cement mortar	5.00	0.2
Common brick	5.00	0.2
Face brick	9.00	0.11
Marble	14.3 – 20.00	0.07 – 0.05

<sup>16</sup> Information as reported by manufacturers and other resources

<b>MATERIAL</b>	<b>CONDUCTIVITY (K) PER INCH</b>	<b>RESISTANCE (R) PER INCH THICKNESS</b>
Ceramic tile	12.5	0.008
Concrete	1.050	0.950
Mineral wool insulation	0.320	3.120
Limestone	6.5	0.153
Ceramic board (Fibremax)	0.450	2.2
Horizontal still air ( $\frac{1}{8}$ "thick) <sup>17</sup>	0.135	0.920**

**Example:**

Required floor protection R of 1.00. Proposed materials: four inches of brick and one inch of Durock® board.

Four inches of brick ( $R = 4 \times 0,2 = 0,8$ ) plus 1 inch of Durock® ( $R = 1 \times 0.52 = 0.52$ ).

$$0.8 + 0.52 = 1.32.$$

This R value is larger than the required 1.00 and is therefore acceptable.

In the case of a known K and thickness of alternative materials to be used in combination, convert all K values to R by dividing the thickness of each material by its K value. Add R values of the proposed materials as shown in the previous example.

**Example:**

Common brick K value = 5

Thickness = 4"

R value = Thickness/K =  $4/5 = 0.8$

Durock K value = 1.92

Thickness = 1"

R value = Thickness/K =  $1/1.92 = 0.52$

Total R value =  $.8 + 0.52 = 1.32$

<sup>17</sup> Horizontal still air can't be «stack» to accumulate R-values; each layer must be separated with another non-combustible material.



### 9.3 Minimum Masonry Opening and Clearances to Combustibles

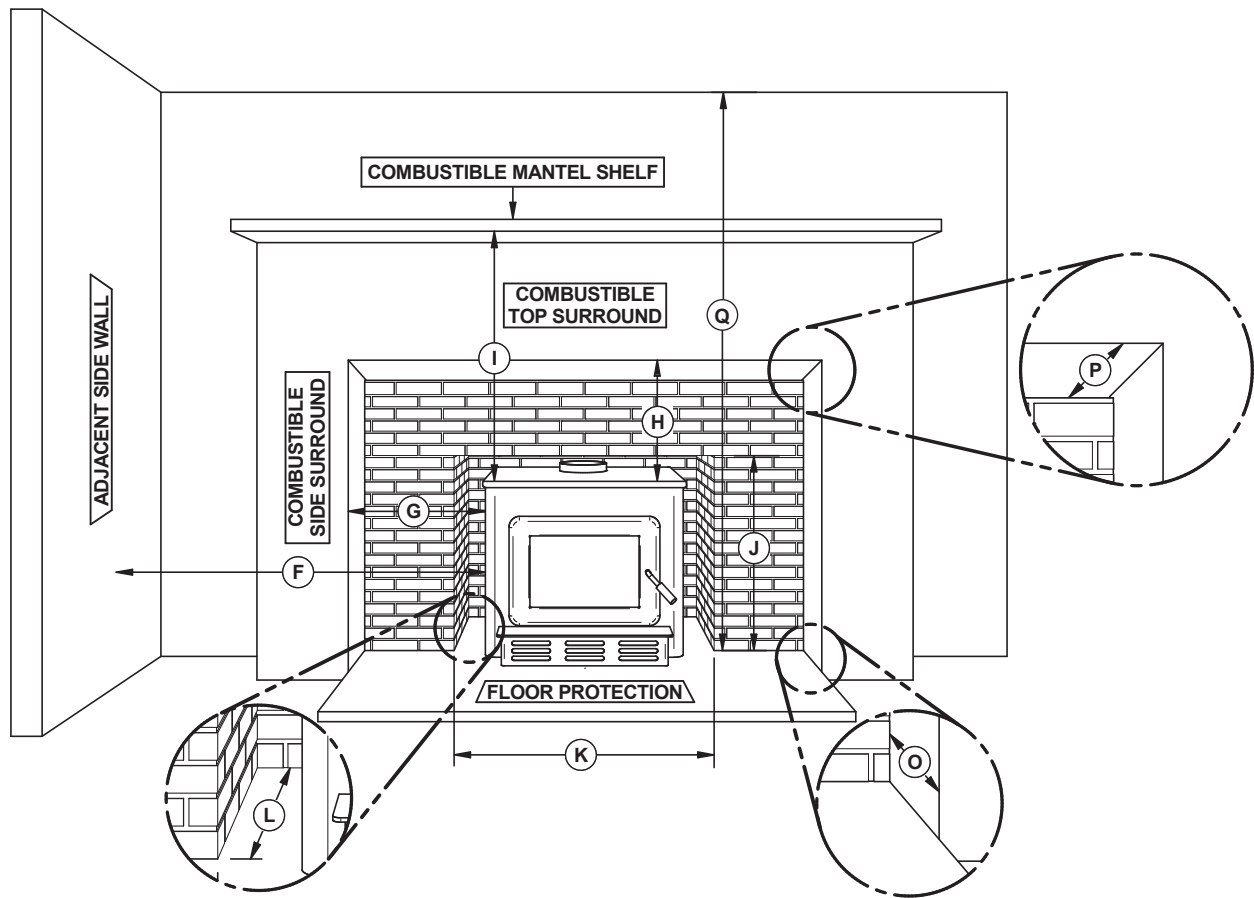


Figure 15: Masonry Opening and Clearances

ENGLISH

	MINIMUM CLEARANCES
<b>F</b>	16" (406 mm)
<b>G</b>	9" (229 mm)
<b>H</b>	27" (686 mm)
<b>I</b>	27" (686 mm)
<b>Q</b>	84" (213 cm)

	MAXIMUM THICKNESS
<b>O</b>	5" (127 mm)
<b>P</b>	12" (305 mm)

	MINIMUM MASONRY OPENING
<b>J</b>	23 <sup>3</sup> / <sub>8</sub> " (594 mm)
<b>K<sup>18</sup></b>	28 <sup>7</sup> / <sub>8</sub> " (733 mm)*
<b>L<sup>19</sup></b>	19 <sup>5</sup> / <sub>8</sub> " (498 mm)**

<sup>18</sup> If a fresh air intake is required, it is recommended to add at least 4" to the width of the minimum opening of the hearth.

<sup>19</sup> If projection kit is used L = 17 <sup>5</sup>/<sub>8</sub>" or 15 <sup>5</sup>/<sub>8</sub>". If installed without projection kit L = 19 <sup>5</sup>/<sub>8</sub>".

## 10. The Venting System

### 10.1 General

The venting system, made of the chimney and the liner inside the chimney, acts as the engine that drives the wood heating system. Even the best insert will not function safely and efficiently as intended if it is not connected to a suitable chimney and liner system.

The heat in the flue gases that pass from the insert into the chimney is not waste heat. This heat is what the chimney uses to make the draft that draws in combustion air, keeps smoke inside the insert and safely vents exhaust to outside. The heat in the flue gas can be seen as the fuel the chimney uses to create draft.

### 10.2 Block-off Plate

To reduce the possibility of a cold air back draft from the masonry chimney into the room, the installation of a sheet metal block-off plate **(A)** is recommended. When fabricating the block-off plate, cut the pipe hole slightly larger than the liner diameter and pass the liner through the hole. Install the block-off plate and secure it with masonry nails. Seal the joints between the plate and the chimney with high temperature silicone and use stove cement to seal between the pipe and the plate.

In Canada, the CSA B365 Standard permits «Roxul» type wool to be stuffed around the liner as it passes through the throat area as an alternative to a sheet metal block-off plate. However, this method is less efficient than using a plate.

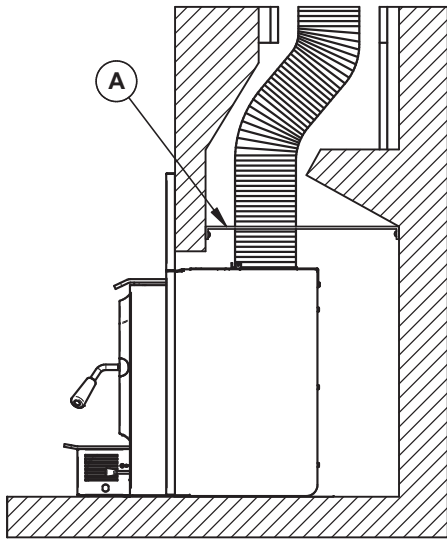


Figure 16: Block-off Plate



Figure 17: Block-off Plate

### 10.3 Suitable Chimneys

This wood insert will provide optimum efficiency and performance when connected to a 6" (150 mm) diameter chimney liner. The connection to a chimney having a diameter of at least 5" (130 mm, Canada only) is permitted if it allows the proper venting of combustion gases and that such application is verified and authorized by a qualified installer. Otherwise, the diameter of the flue should be 6" (150 mm). The reduction of the liner diameter to less than 6" (150 mm) should only be done if the total height of the masonry chimney is greater than 20' (6,1 m).

## 10.4 Chimney Liner Installation

The use of a chimney liner (rigid or flexible) is recommended to ensure the best performance. To ensure an optimal draft, it is also strongly recommended adding a minimum of 12" (305 mm) rigid liner between the top of the masonry chimney and the rain cap. In all cases, liners should be installed in accordance with the liner manufacturer's instructions, including instructions for extension above the masonry.

Use chimney liners listed UL 1777, ULC S635 or CAN/ULC S640.

In order to connect the insert to the liner, refer to section [«10.5 Liner Connection»](#).

### ATTENTION INSTALLER:

*When positioning the unit in a fireplace opening, prior to the flue installation, install the insert into the opening until the top lip of air jacket is flush with fireplace facing.*

*If lag bolts or anchors are to be used to secure the insert, the holes location should be marked with the unit in place. Remove the insert and locate the anchors.*

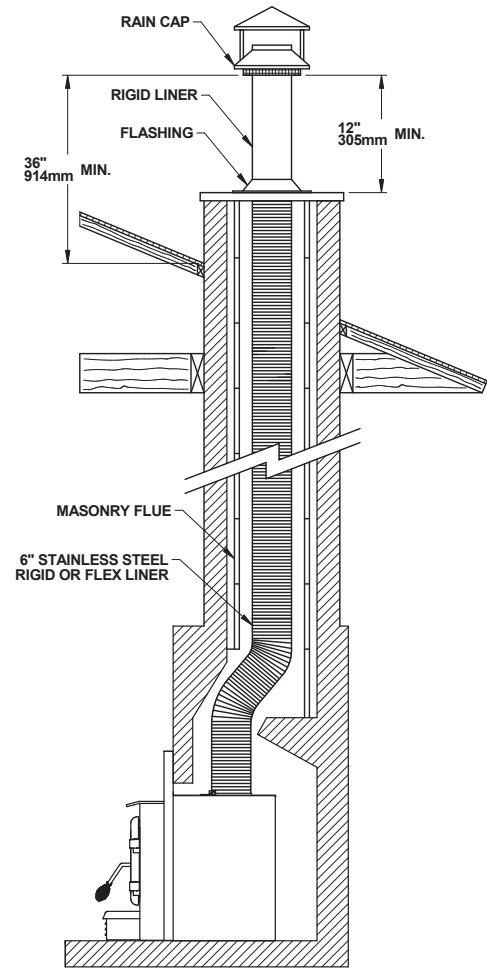


Figure 18: Liner Installation

## 10.5 Liner Connection

Two options are possible to connect the liner to the insert :

### 10.5.1 Liner Starter Adaptor

Install the chimney liner starter adapter, provided with the chimney liner. Follow the chimney liner starter adapter manufacturer's instructions.

In order to connect the chimney liner starter adapter to the flue outlet, install three brackets with the three screws, all provided in the user manual, on top of the insert. The long end of the brackets must be attached to the insert. Insert the chimney liner into the flue collar of the unit and secure the liner to the brackets with three self-tapping screws (not included).

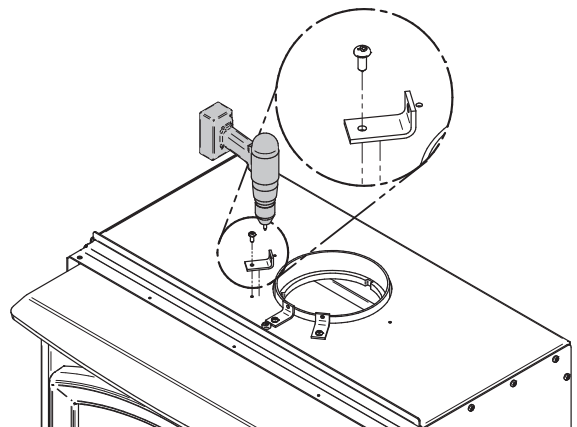


Figure 19: Securing the brackets

The dealer may offer a liner fastening system, sold separately. Follow the installation instructions provided with the liner fastening system.

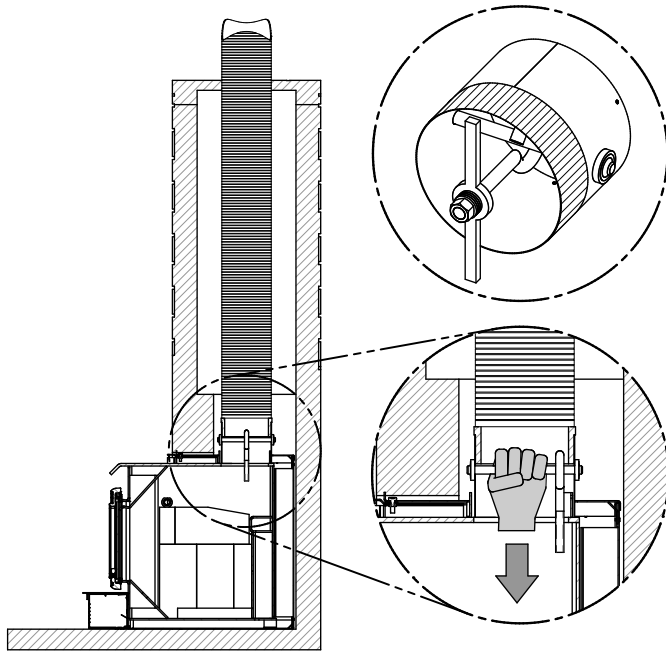


Figure 20: Liner fastening system

### 10.5.2 Liner Offset Adapter

A liner offset adapter, sold separately, can also be installed. This should only be installed if no other option is possible and if the total height of the fireplace and chimney is at least 20' (6.1 m). This kind of adaptor is restricting the free flow of exhaust gases and may result in smoke roll-out from the insert when the door is open for reloading. When installing a liner offset adapter, secure the three brackets provided in the user manual on top of the insert. The long end of the brackets must be attached to the insert. Then, follow the instructions in the manual provided with the liner offset adapter kit.

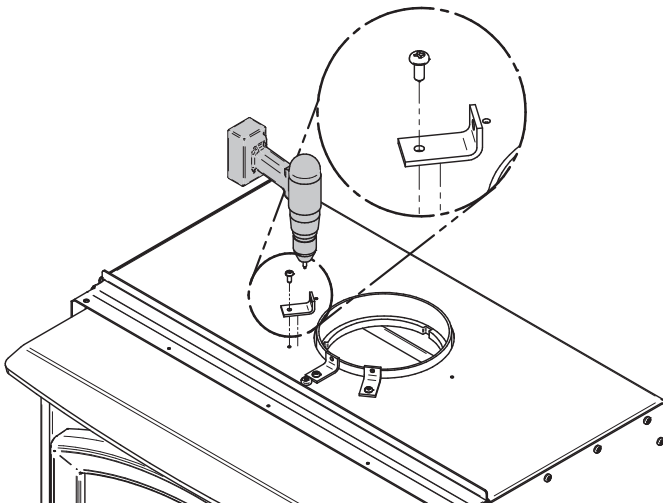


Figure 21: Securing the brackets

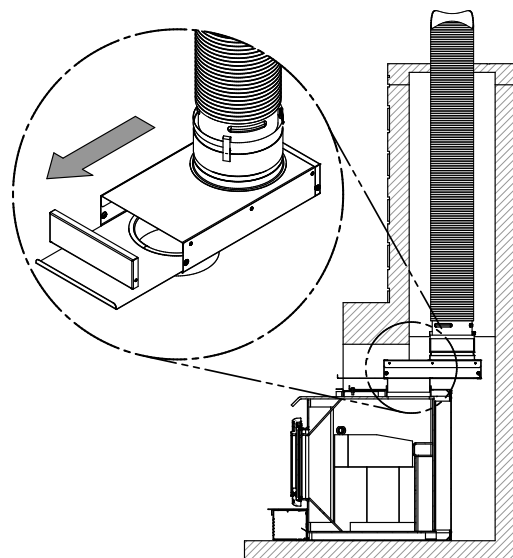
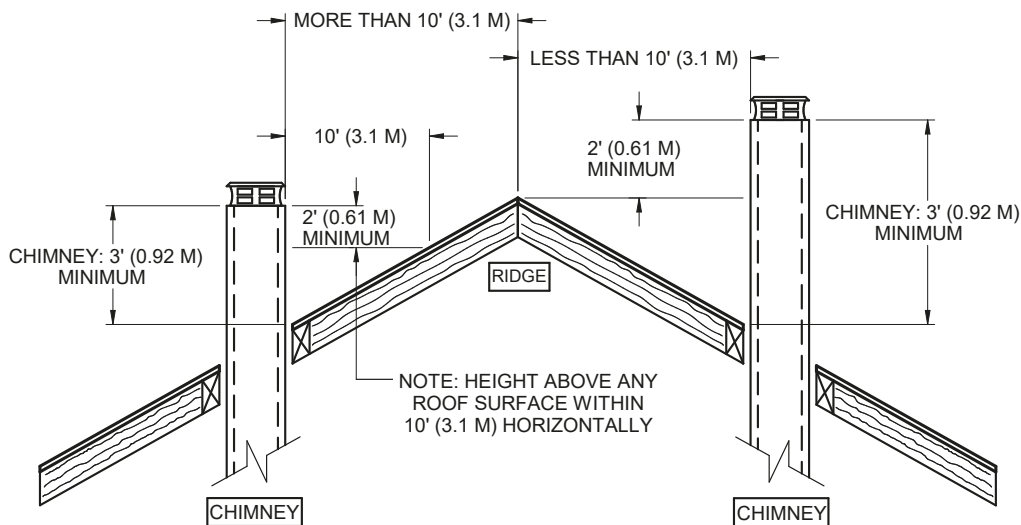


Figure 22: Offset liner adaptor

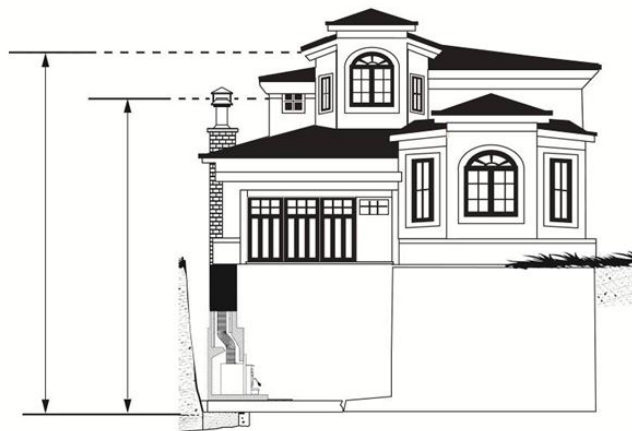
## 10.6 Minimum Chimney Height

The top of the chimney should be high enough to be above the air turbulence caused when wind blows against the house and its roof. The chimney must extend at least 3 ft. (1 m) above the highest point of contact with the roof, and at least 2 ft.(60 cm) higher than any roof line or obstacle within a horizontal distance of 10 ft. (3 m). The total system height, from the floor the appliance is mounted on to the top of the chimney, should never be less than 15 feet (4.6 m).



## 10.7 Chimney Location

The location of the chimney is crucial for the proper functioning of the appliance. The chimney should be installed within the house rather than up an outside wall and should rise straight up through the tallest part of the house. This installation benefits from being enclosed within the warm house environment, produce stronger draft, accumulate fewer creosote deposits and will be unaffected by cold temperatures or harsh winds.



Outside chimneys will lead to cold back drafting when there is no fire in the insert, slow kindling of new fires, and smoke roll-out when the door is open for loading.

On the other hand, excessive draft will make the fire uncontrollable, creating very high temperatures in the unit as well as in the chimney and seriously damaging them. A reddish glow on the unit and on the chimney components indicates overheating. Excessive temperatures can cause a chimney fire.

## 10.8 Supply of Combustion Air

The safest and most reliable supply of combustion air for a wood insert is from the room in which it is installed. Room air is already preheated so it will not chill the fire, and its availability is not affected by wind pressures on the house. Almost all houses have enough natural leakage to provide the small amount of air needed by the insert. The only case in which the wood insert may not have adequate access to combustion air is if the operation of a powerful exhaust device (such as a kitchen range exhaust) causes the pressure in the house to become negative relative to outdoors.

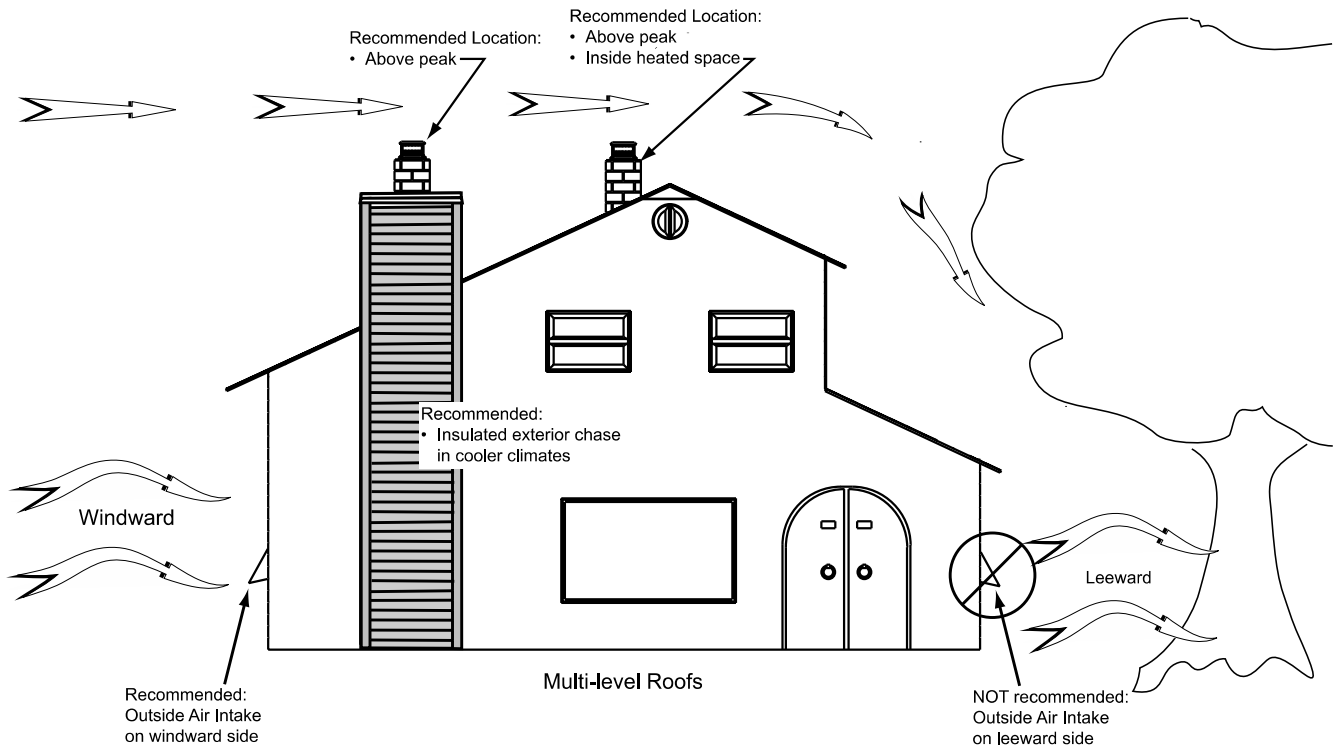


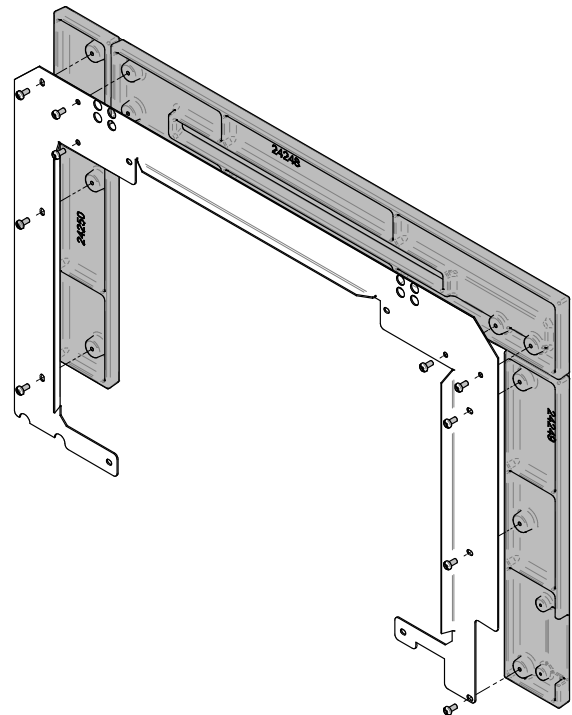
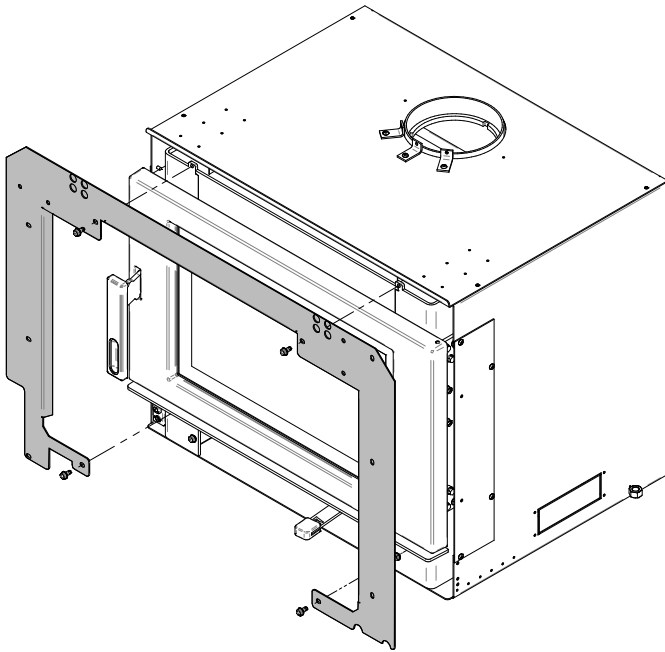
Figure 23: Air supply in conventional houses

If an air intake is installed through the wall of the house, its pressure can vary during windy weather. If smoke puffs from the insert, the air duct should be disconnected from the insert to determine if it is the cause of the problem. In some windy conditions, negative pressure near hood may draw hot exhaust gases from the insert to outdoors. Check the outdoor air duct for soot deposits when the full system is cleaned and inspected at least once each year.

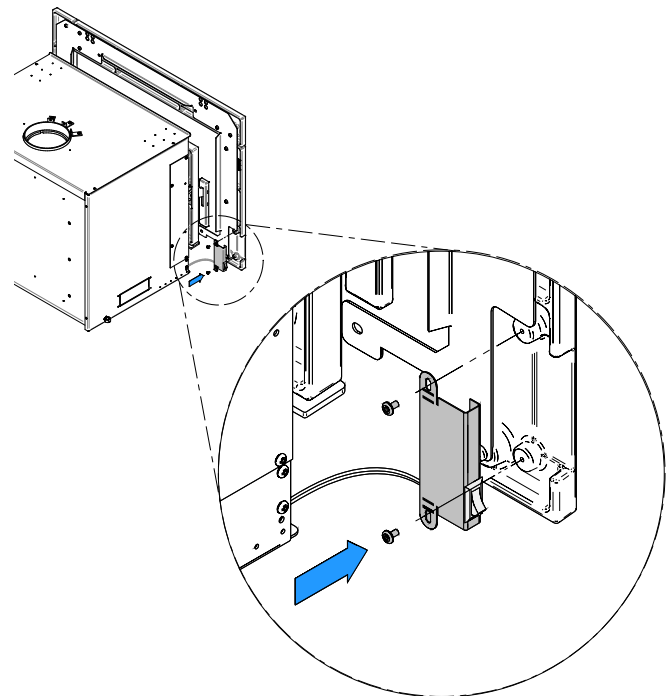
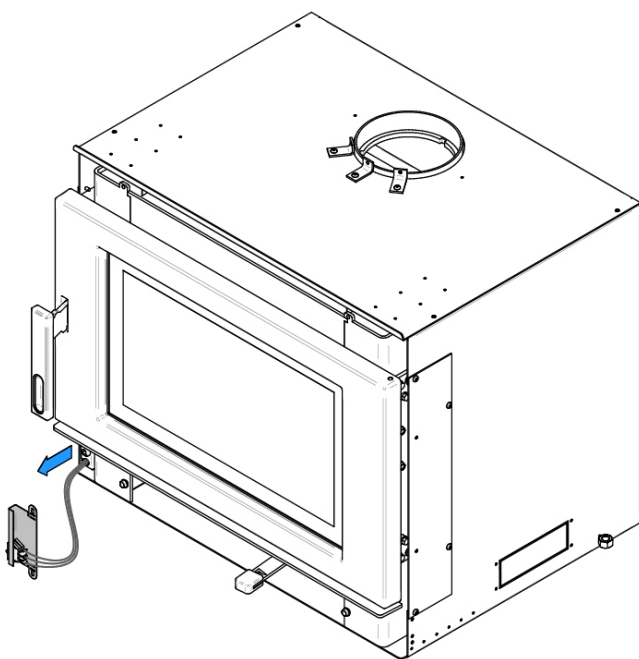
## APPENDIX 1: FACEPLATE INSTALLATION

*NOTE: If the depth and or the opening of the masonry hearth require the use of the optional projection kit and/or an optional faceplate backing plate kit, follow the instructions included with these options before beginning the installation of the cast iron faceplate*

5. Remove the steel faceplate already installed on the insert.
6. Put together the steel face plate with the three parts of the cast iron faceplate.

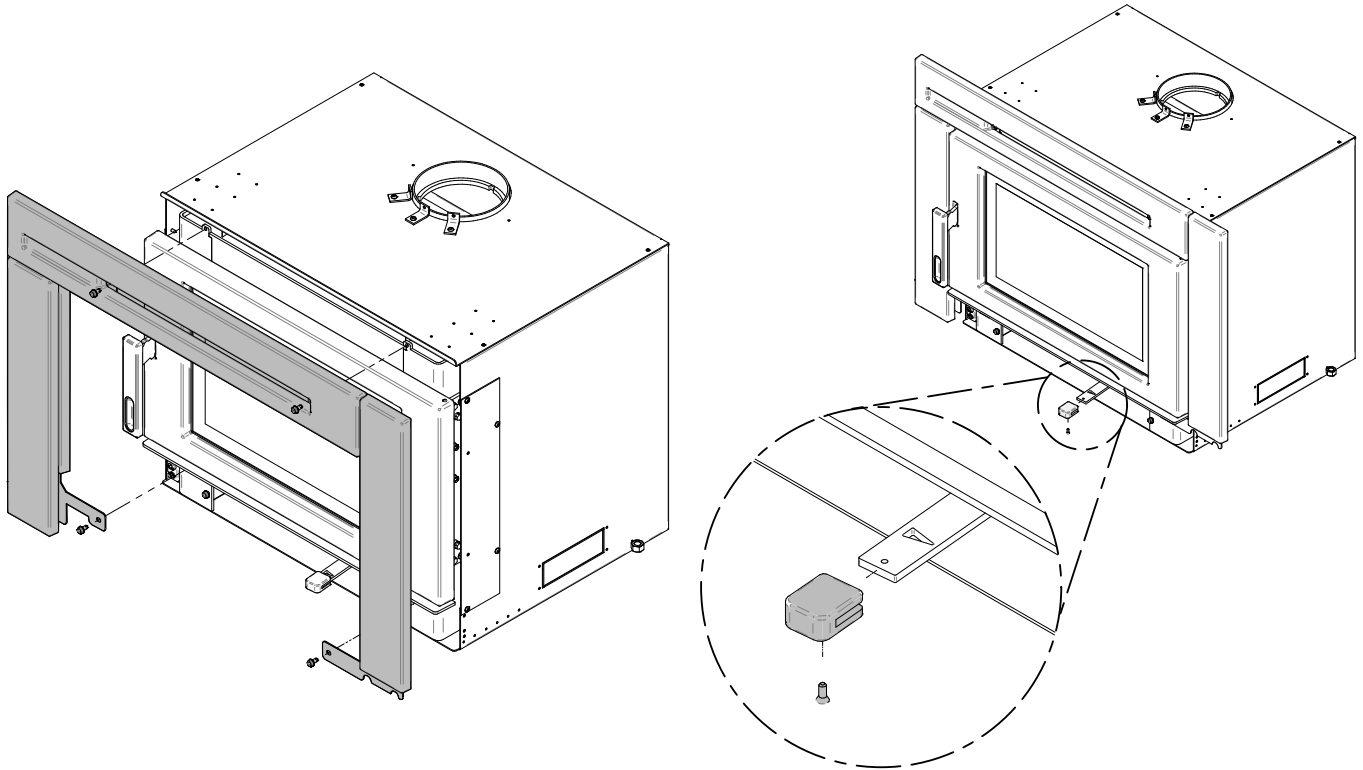


7. Pull gently on the blower switch assembly. **It is very important not to disconnect the wires.**
8. Approach the faceplate and screw the blower switch assembly on the left-hand side.

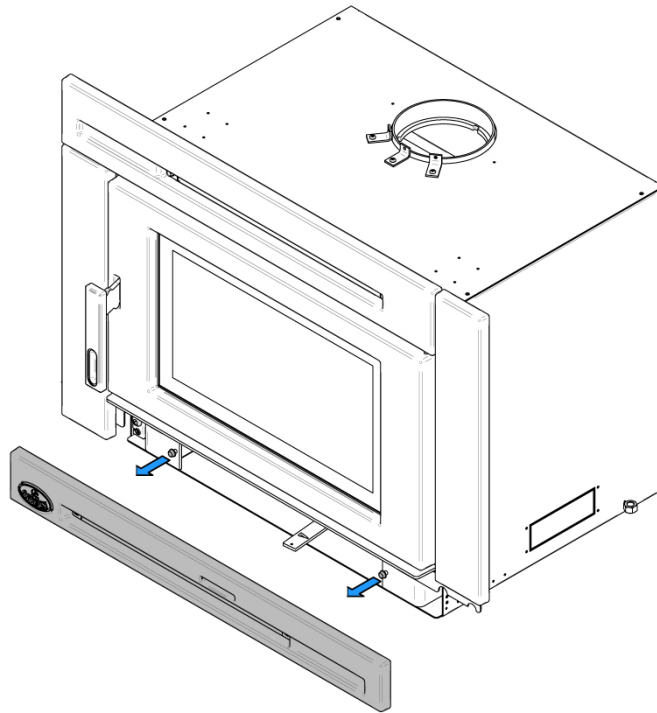


9. Install the faceplate on the insert, being careful not to pinch the blower switch wires.

10. Remove the air control wooden handle..



11. Slightly unscrew the two screws at the bottom of the insert. Hook the bottom faceplate and screw it back in place. Reinstall the wood handle.

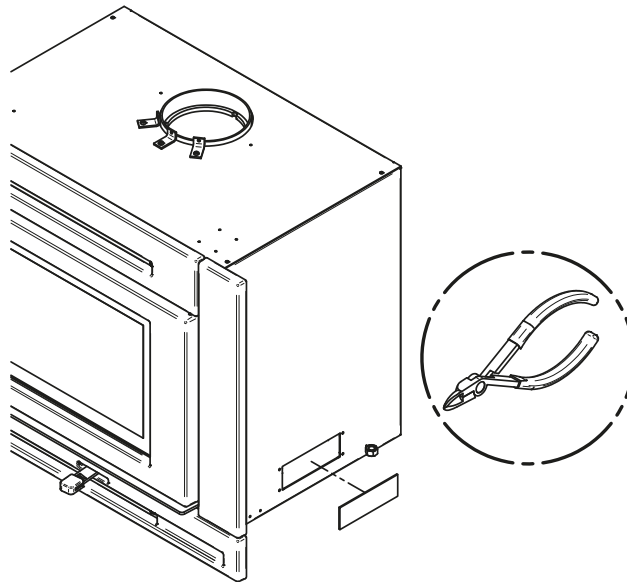




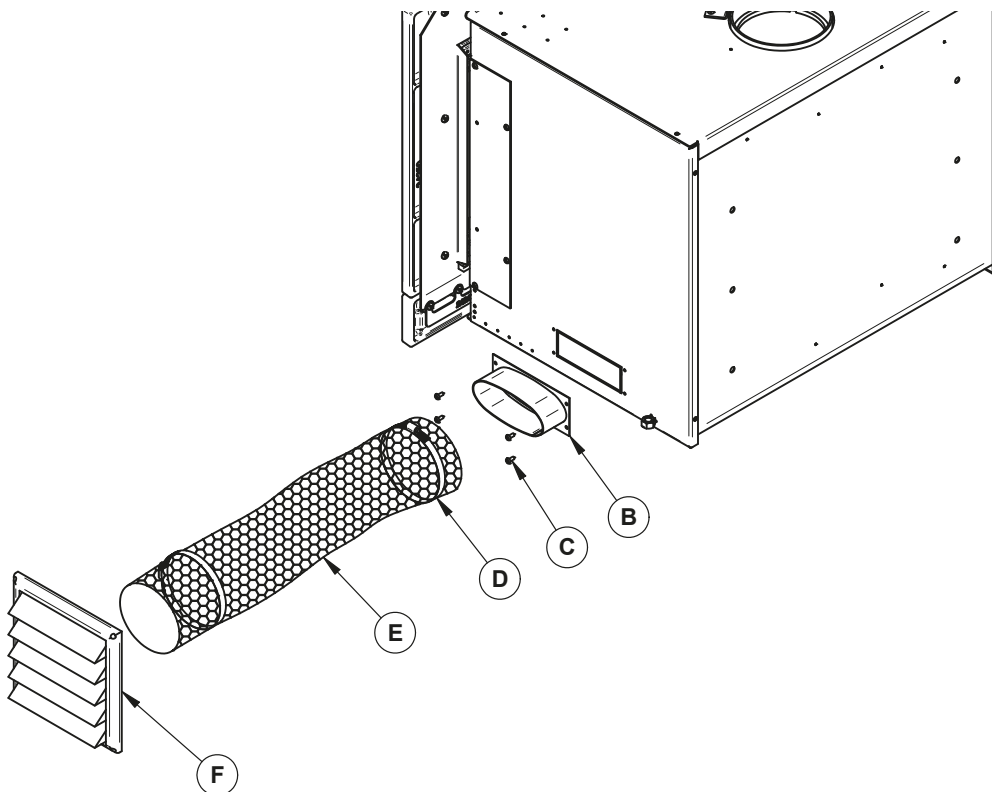
## APPENDIX 2: OPTIONAL FRESH AIR INTAKE KIT INSTALLATION

*Note : The fresh air intake kit may be installed on the right or left-hand side of the unit.*

1. Using pliers, remove the rectangular knockout plate (A) located on the left or right side of the convection air jacket. Choose the side that is best for your installation.



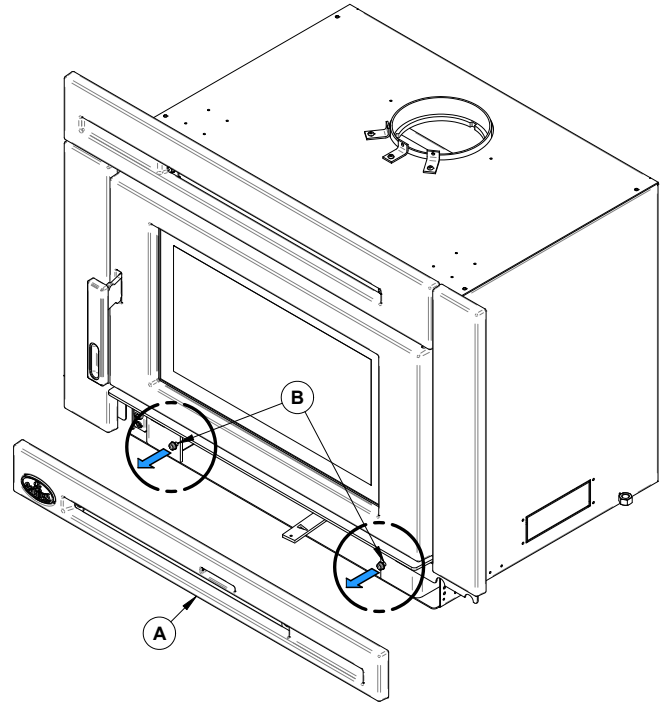
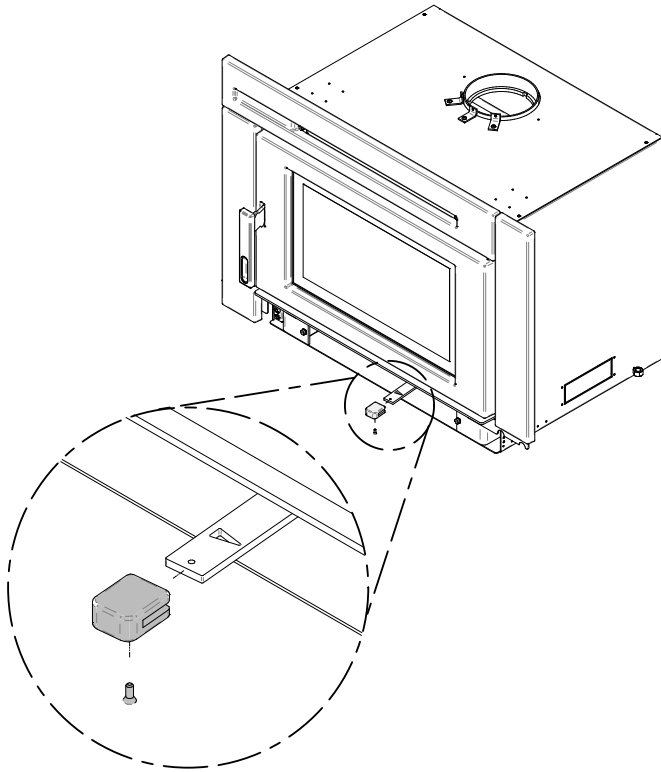
1. Install the fresh air intake adapter (B) with four screws (C) then secure the flexible pipe<sup>20</sup> (E) (not included) to the adapter using one of the pipe clamps (D). Secure the other end of the pipe to the outside wall termination (F) using the other pipe clamp. The outside wall termination must be installed outside of the home.



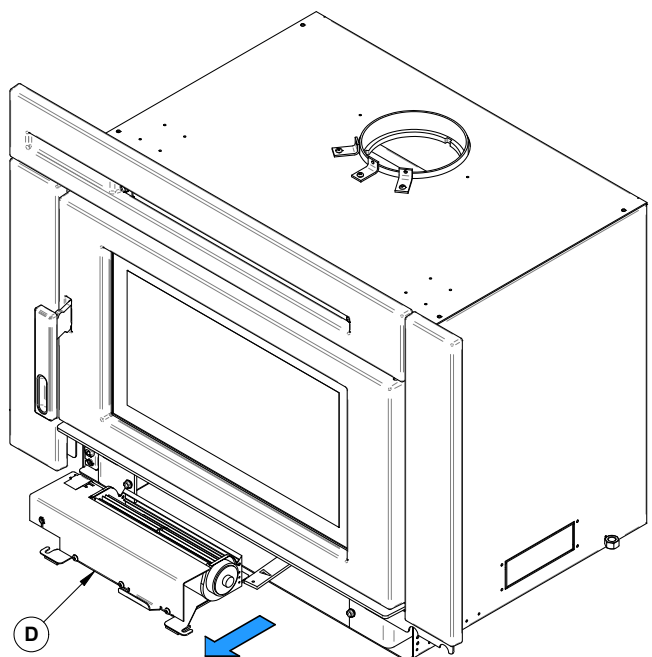
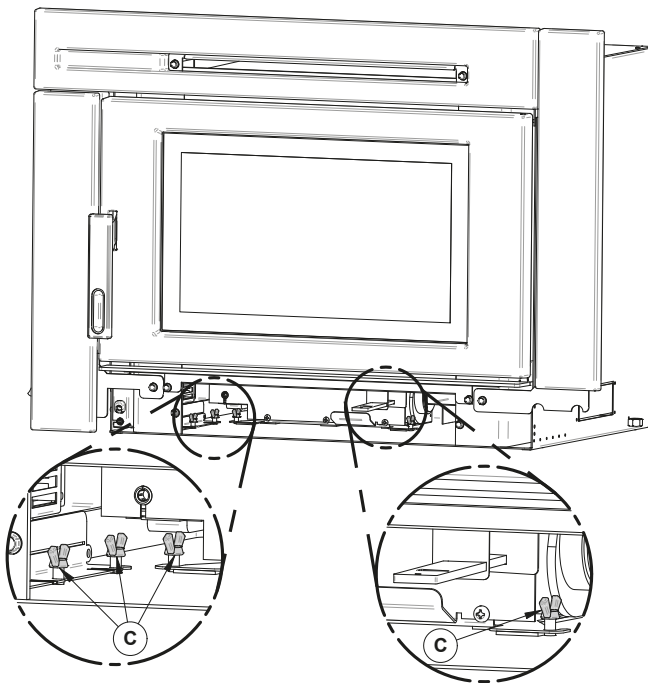
<sup>20</sup>The pipe must be HVAC type, insulated, and must comply with ULC S110 and/or UL 181, Class 0 or Class 1.

## APPENDIX 3: BLOWER REPLACEMENT

1. Remove the air control wooden handle.
2. Slightly unscrew the two screws **(B)** at the bottom of the insert. Lift the bottom faceplate **(A)** and pull towards the front to remove it.

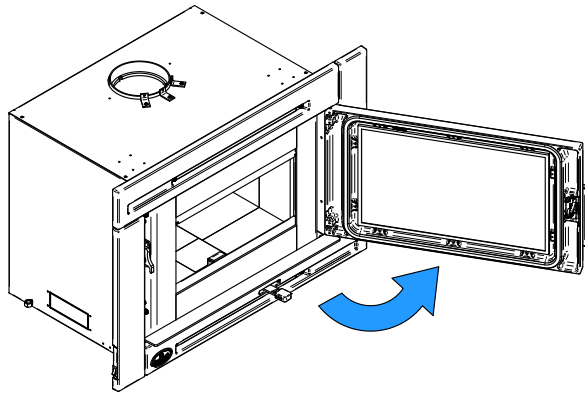


3. Slightly loosen the 4 wing nuts **(C)** then pull the blower assembly **(D)** towards you to remove it from the convection air jacket. Make sure to disconnect the wiring as it is accessible.

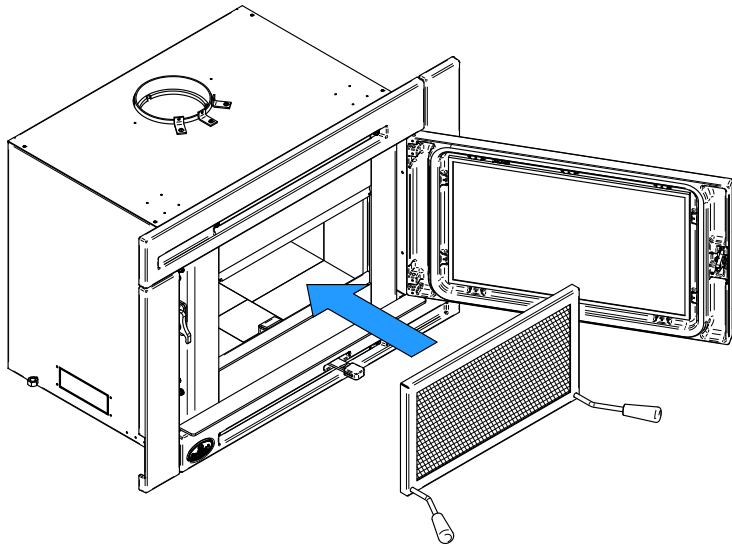


## APPENDIX 4: OPTIONAL FIRE SCREEN INSTALLATION

1. Open the door.

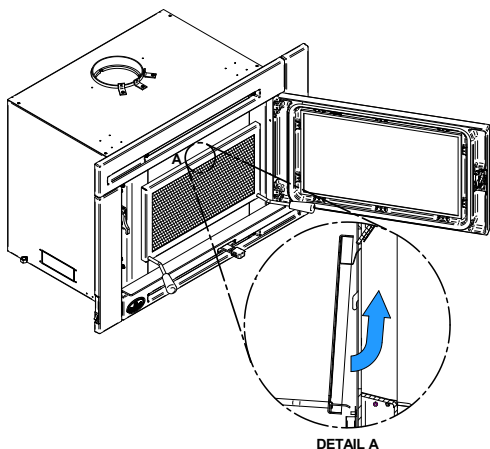


2. Hold the fire screen by the two handles and bring it close to the door opening.



3. Lean the upper part of the fire screen against the top door opening making sure to insert the top fire screen brackets behind the primary air deflector.
4. Lift the fire screen upwards and push the bottom part towards the insert then let the fire screen rest on the bottom of the door opening.

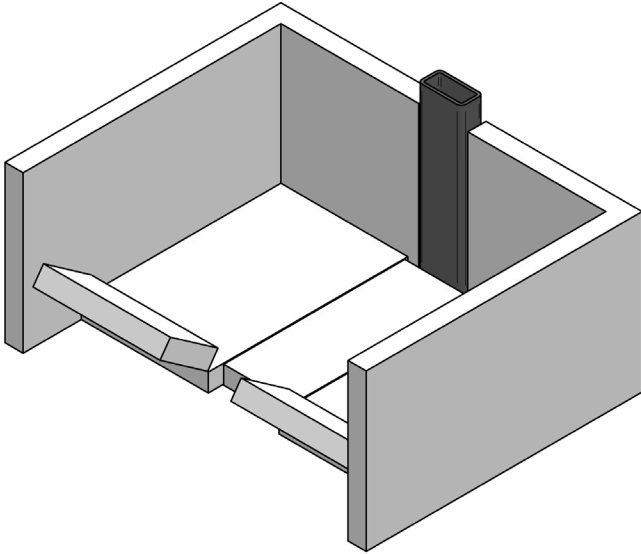
**Warning: Never leave the insert unattended while in use with the fire screen.**



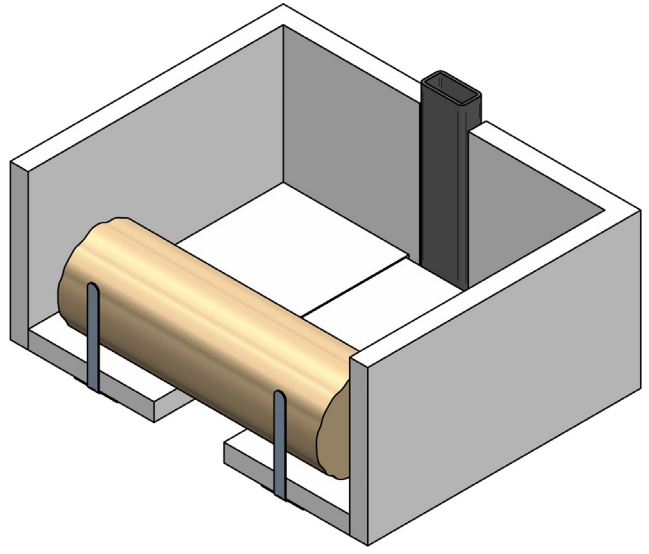
# APPENDIX 5: LOG RETAINERS INSTALLATION

ENGLISH

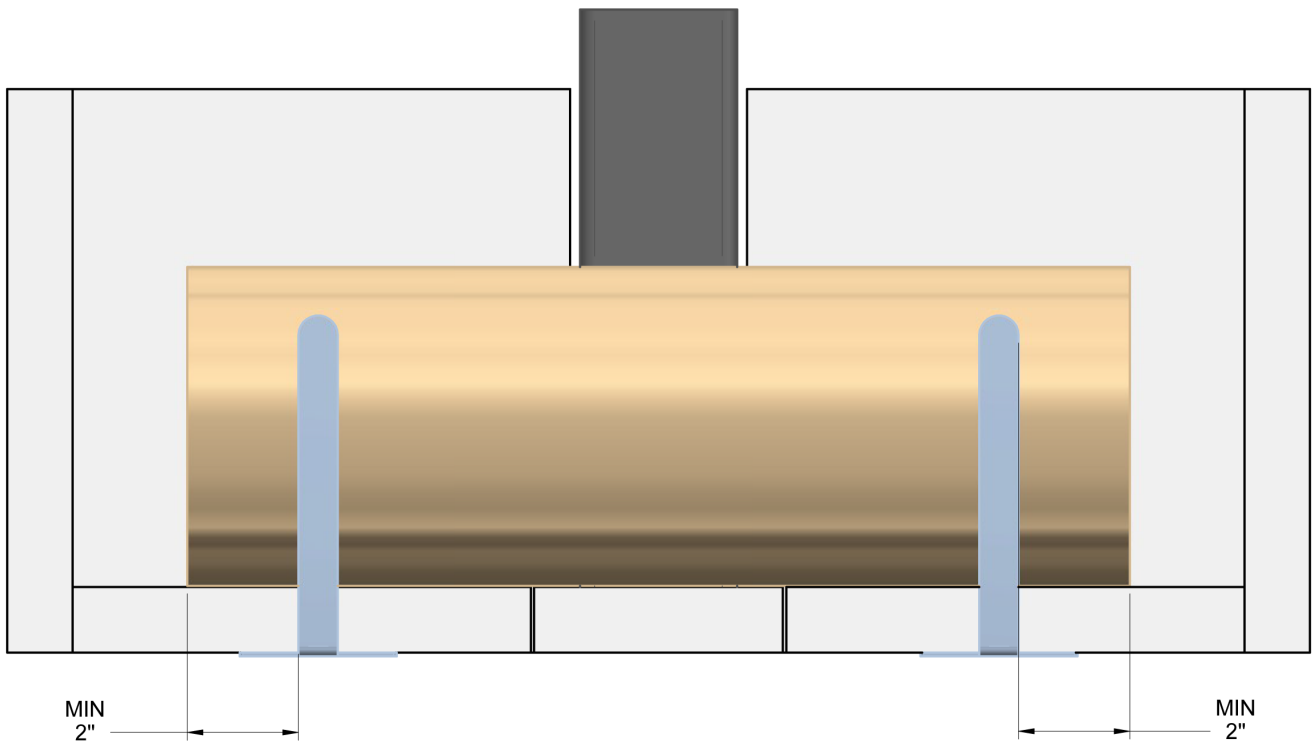
1.



2.

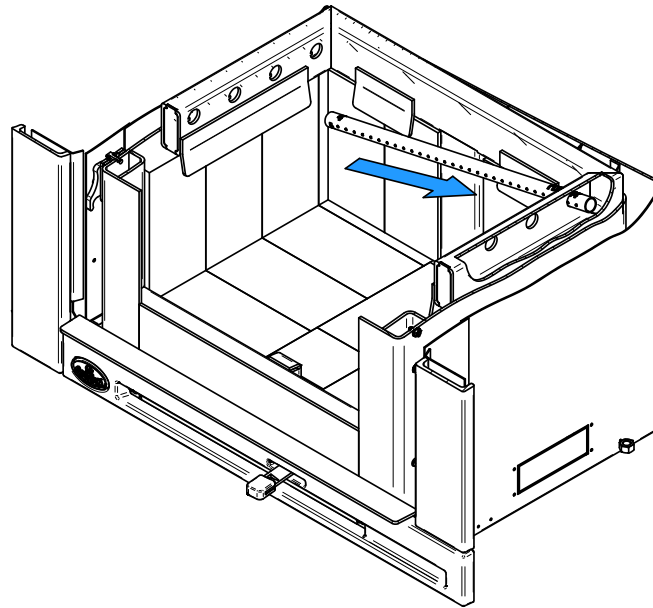


3.

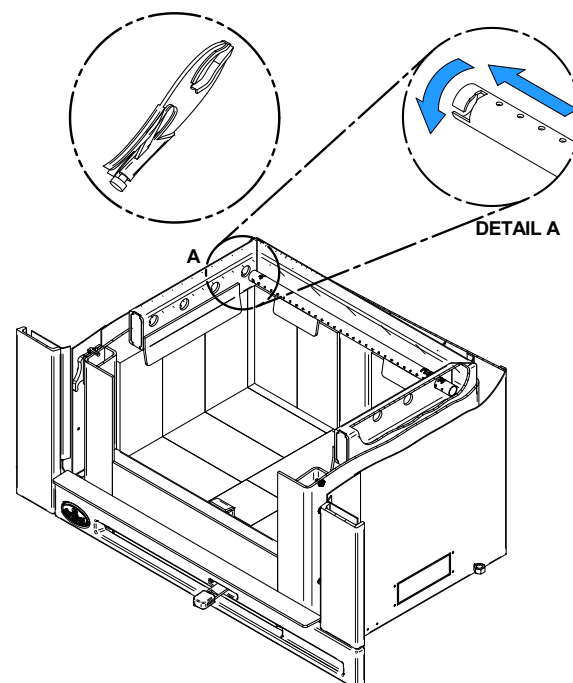


## APPENDIX 6: AIR TUBES AND BAFFLE INSTALLATION

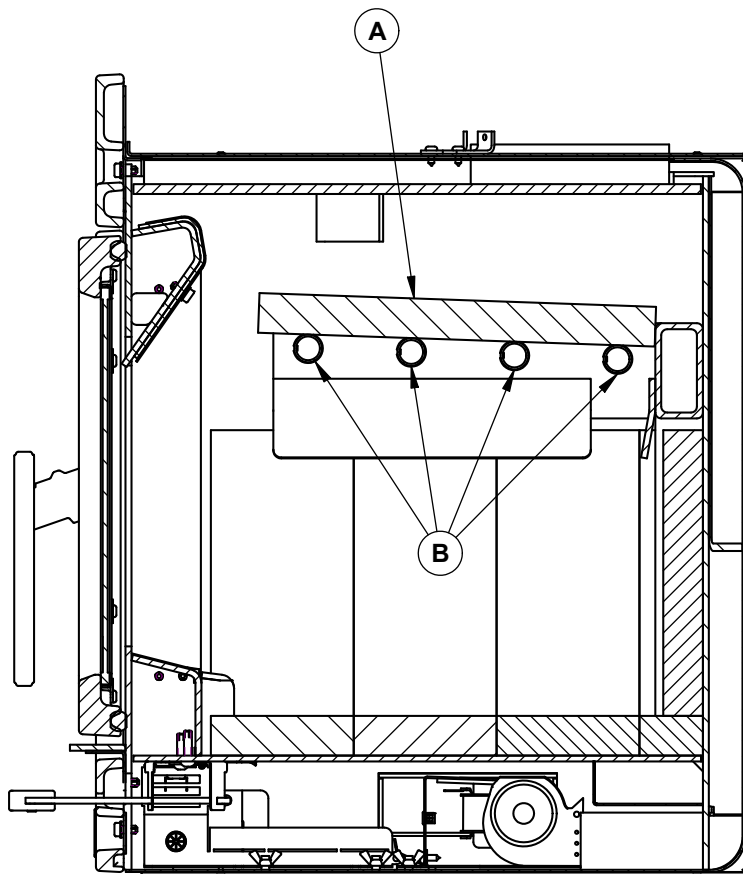
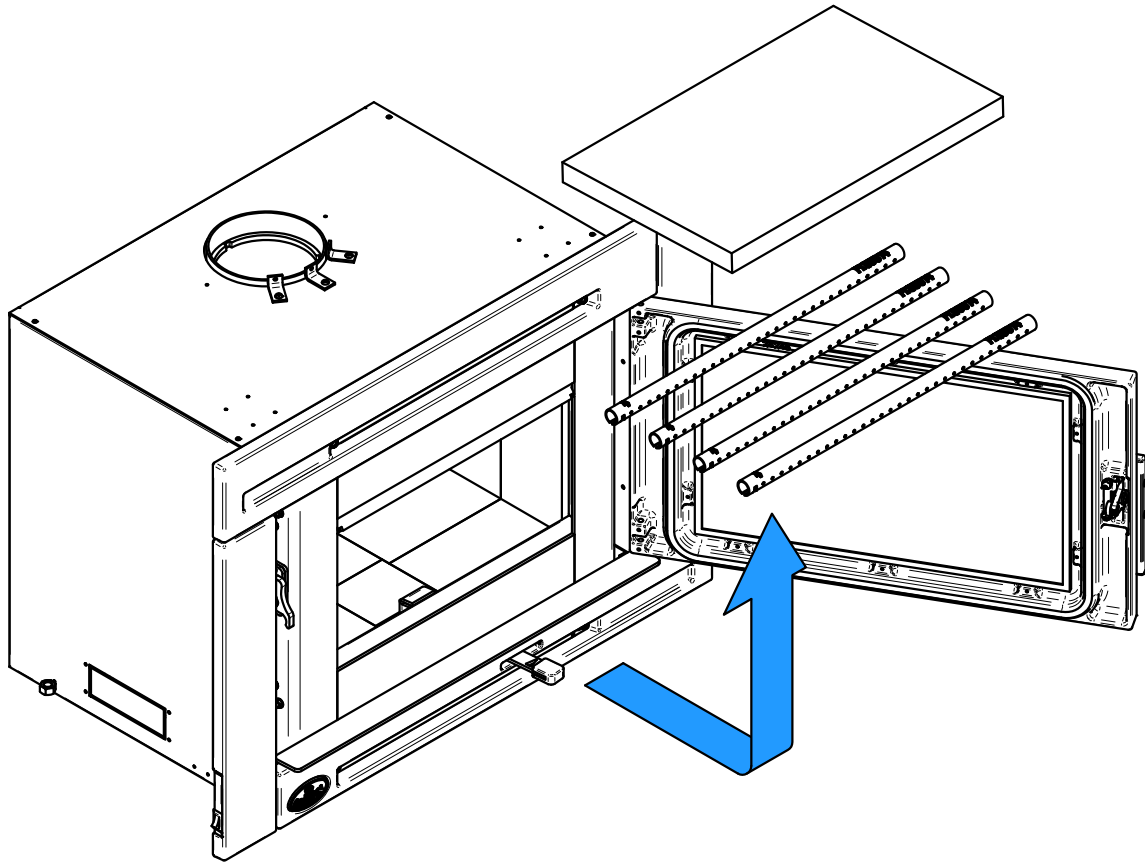
1. Starting with the rear tube, lean and insert the right end of the secondary air tube into the rear right channel hole. Then lift and insert the left end of the tube into the rear left channel.



2. Align the notch in the left end of the tube with the key of the left air channel hole. Using a «Wise grip» hold the tube and lock it in place by turning the tube as shown. Make sure the notch reaches the end of the key way.
3. Install the baffle.
4. Repeat steps 1 and 2 for the three other tubes.
5. When necessary, remove the tubes using the above steps in reverse order.



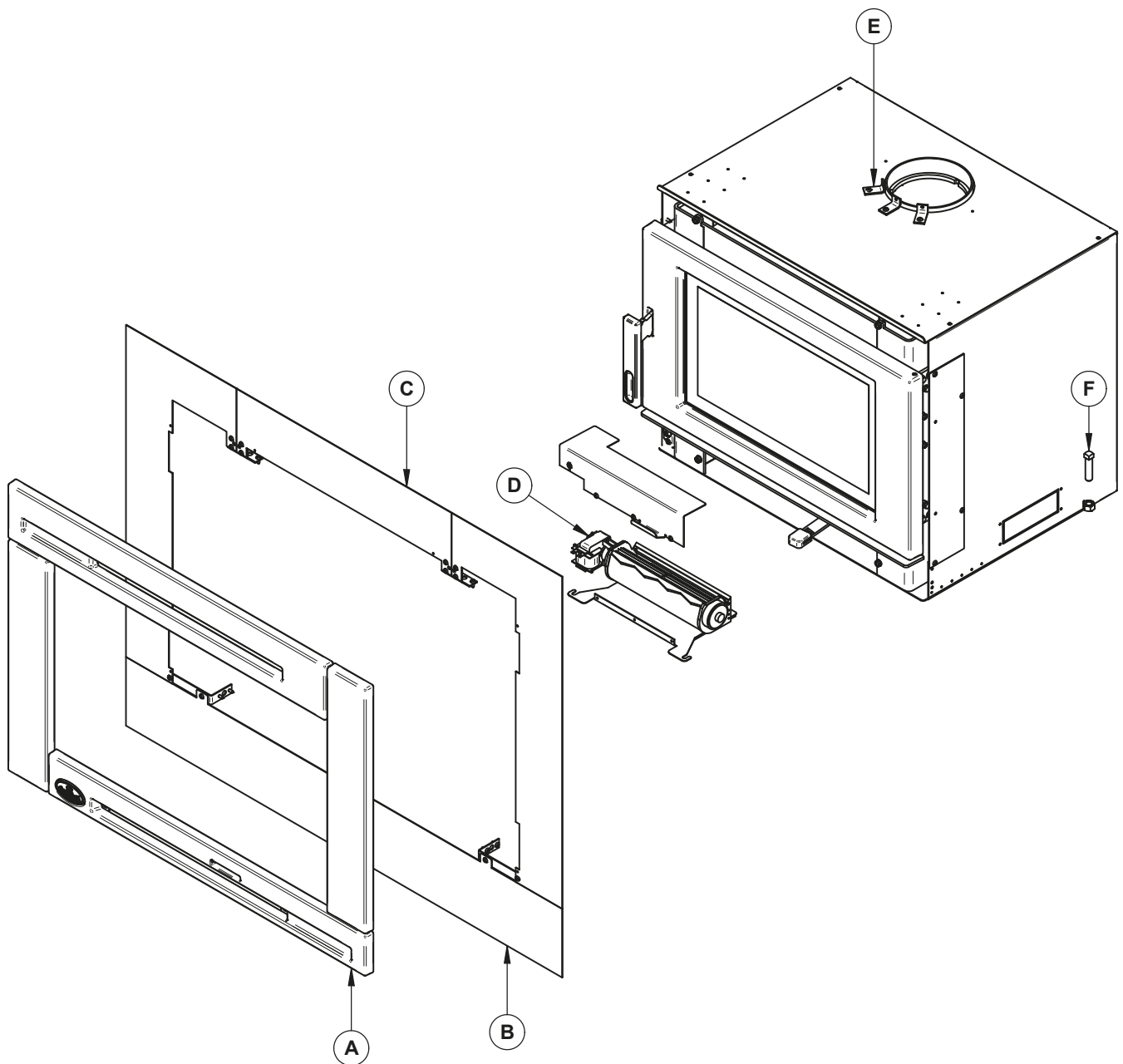
Note that secondary air tubes (B) can be replaced without removing the baffle board (A) and that all tubes are identical.



## APPENDIX 7: REMOVAL INSTRUCTIONS

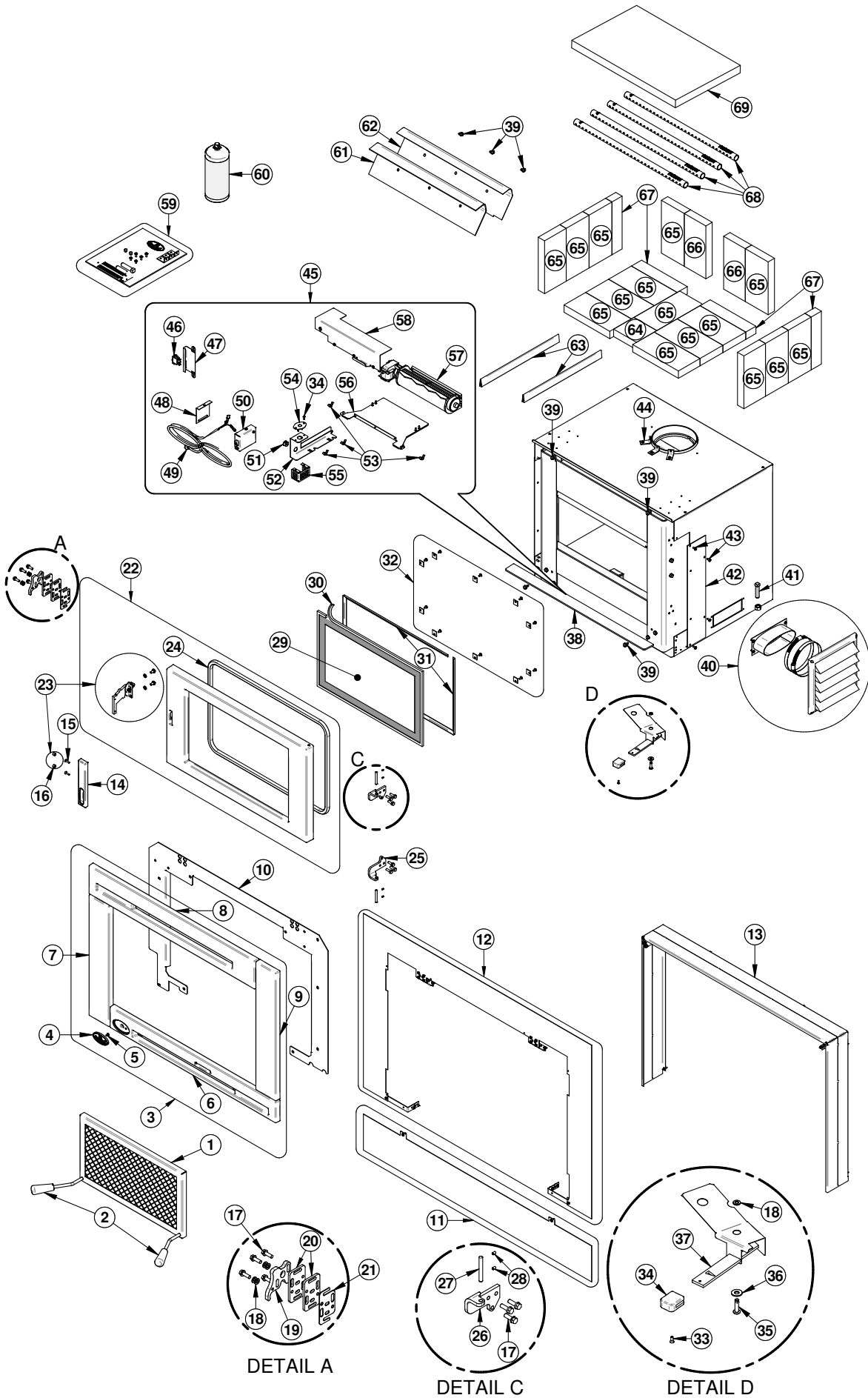
For inspecting purposes, the insert may need to be removed. To remove the insert, follow these instructions:

1. Unscrew the faceplate fastener **(B)** holding the faceplate **(C)** on the insert.
2. Remove faceplate **(C)** by pulling on it.
3. Remove the blower assembly **(D)**.
4. Remove the three screws securing the pipe connector **(A)**.
5. Unscrew the bolts securing the insert to the floor on each side of the unit **(E)**.



# APPENDIX 8: EXPLODED DIAGRAM AND PARTS LIST

ENGLISH





IMPORTANT: THIS IS DATED INFORMATION. When requesting service or replacement parts for this unit, please provide the model number and the serial number. We reserve the right to change parts due to technology upgrades or availability. Contact an authorized dealer to obtain any of these parts. Never use substitute materials. Use of non-approved parts can result in poor performance and safety hazards.

ENGLISH

#	Item	Description	Qty
1	AC01315	RIGID FIRESCREEN	1
2	30569	ROUND WOODEN HANDLE BLACK	2
3	SE24248	FACEPLATE KIT FOR MATRIX INSERT	1
4	30450	OSBURN DOOR LOGO	1
5	30124	MECHANICAL SCREW #8-32 X 5/16" TRUSS QUADREX #2 ZINC	1
6	PL24247	BOTTOM CAST IRON FACEPLATE PAINTED BLACK	1
7	PL24249	BLACK LEFT CAST IRON FACEPLATE	1
8	PL24248	BLACK TOP CAST IRON FACEPLATE	1
9	PL24250	BLACK RIGHT CAST IRON FACEPLATE	1
10	PL65087	FACEPLATE SUPPORT	1
11	AC01321	BOTTOM FACEPLATE BACKING PLATE 44" X 6"	1
12	AC01333	BOTTOM FACEPLATE BACKING PLATE 50" X 6"	1
13	AC01322	29" X 44" FACEPLATE BACKING PLATE KIT	1
14	AC01332	29" X 50" FACEPLATE BACKING PLATE KIT	1
15	AC01323	2" OR 4" PROJECTION KIT FOR INSERT	1
16	AC09145	BLACK WOODEN DOOR HANDLE	1
17	30123	SCREW #8 - 32 X 5/8" PAN QUADREX ZINC	2
18	30766	WOODEN DOWEL	2
19	30094	HEX SCREW WASHER HEAD 1/4-20 X 3/4" F ZINC TYPE	9
20	30187	STAINLESS WASHER ID 17/64" X OD 1/2"	7
21	PL65076	DOOR LOCK	1
22	PL65075	LATCH SHIM	2
23	PL65035	DOOR LOCK SPACER	1
24	SE24245-01	CAST IRON DOOR WITH GASKET AND HANDLE	1
25	SE65082	DOOR HANDLE ASSEMBLY	1
26	AC06300	SILICONE AND 5/8" X 6.6' BLACK GASKET KIT	2
27	PL65615	BOTTOM HINGE	1
28	PL65614	TOP HINGE	1
29	30755	DOWEL PIN 1/4" X 2"	2
30	30117	SET SCREW #10-32 X 3/16" BLACK	4
31	SE23051	GLASS WITH GASKET - 20 1/4"W X 12 1/2"H	1
32	AC06400	3/4" X 6' x 1/8" FLAT BLACK SELF-ADHESIVE GLASS GASKET (AC-GGK)	1
33	PL65646	GLASS FRAME	2
34	SE53585	12 GLASS RETAINERS WITH SCREWS	1
35	30021	SELF TAPPING SCREW 8-32 "F" TYPE X 7/16" FLAT HEAD QUADREX BLACK	3
36	AC09146	BLACK WOODEN AIR CONTROL HANDLE	1
37	30506	SCREW PAN TORX TYPE F 1/4-20 X 1" BLACK	1

#	Item	Description	Qty
38	30206	ZINC WASHER 5/16"ID X 3/4"OD	1
39	SE65842	AIR CONTROL DAMPER ASSEMBLY	1
40	SE65754	ASH LIP	1
41	30060	THREAD-CUTTING SCREW 1/4-20 X 1/2" F HEX STEEL SLOT WASHER C102 ZINC	5
42	AC01298	5"Ø FRESH AIR INTAKE KIT	1
43	30337	SQUARE HEAD SET SCREW 1/2-13 X 1-1/2"	2
44	PL65731	LATCH AND HINGES ACCESS PANEL	1
45	30131	BLACK METAL SCREW #10 X 1/2" TYPE "A" PAN QUADREX	4
46	PL34052	LINER FIXATION BRACKET	3
47	SE65746	BLOWER ASSEMBLY	1
48	44092	3 POSITION ROCKER SWITCH	1
49	PL65752	SWITCH BRACKET	1
50	PL65629	JUNCTION BOX COVER	1
51	60013	POWER CORD 96" X 18-3 type SJT (50 pcs per carton)	1
52	PL65627	JUNCTION BOX	1
53	30413	UNIVERSAL SNAP-IN BUSHING8 5/8" BLACK	1
54	PL65626	FAN WIRE GUIDE	1
55	30484	WING NUT 1/4-20 X 1/2"	4
56	44028	CERAMIC THERMODISC F110-20F	1
57	PL65632	THERMODISC CASING	1
58	PL65746	FAN BOTTOM FIXATION PLATE	1
59	44075	TANGENTIAL BLOWER 1800 115V-60hZ-30W (S) 90 CFM	1
60	PL65748	FAN PROTECTION COVER	1
61	SE45929	INSTRUCTION MANUEL KIT MATRIX INSERT STOVE	1
62	AC05959	METALLIC BLACK STOVE PAINT - 342 g (12oz) AEROSOL	1
63	21387	TOP AIR DEFLECTOR INSULATION	1
64	PL65505	TOP AIR DEFLECTOR PROTECTOR	1
65	PL30583	FLOORED BRICK RETAINER	2
66	PL36084	4" X 4 1/2" X 1 1/4" REFRACTORY BRICK HD	1
67	29020	4 1/2" X 9" X 1 1/4" REFRACTORY BRICK HD	14
68	PL36636	4 1/4" X 9" X 1 1/4" REFRACTORY BRICK HD	2
69	PL36056	2" X 9" X 1 1/4" REFRACTORY BRICK HD	4
70	PL65514	SECONDARY AIR TUBE	4
71	21389	C-CAST (V2) BAFFLE 20" X 12 1/2" X 1 1/4"	1

# OSBURN LIMITED LIFETIME WARRANTY

The warranty of the manufacturer extends only to the original retail purchaser and is not transferable. This warranty covers brand new products only, which have not been altered, modified nor repaired since shipment from factory. Proof of purchase (dated bill of sale), model name and serial number must be supplied when making any warranty claim to your OSBURN dealer.

**This warranty applies to normal residential use only. This warranty is void if the unit is used to burn material other than cordwood (for which the unit is not certified by EPA) and void if not operated according to the owner's manual. Damages caused by misuse, abuse, improper installation, lack of maintenance, over firing, negligence or accident during transportation, power failures, downdrafts, venting problems or under-estimated heating area are not covered by this warranty. The recommended heated area for a given appliance is defined by the manufacturer as its capacity to maintain a minimum acceptable temperature in the designated area in case of a power failure.**

This warranty does not cover any scratch, corrosion, distortion, or discoloration. Any defect or damage caused by the use of unauthorized or other than original parts voids this warranty. An authorized qualified technician must perform the installation in accordance with the instructions supplied with this product and all local and national building codes. Any service call related to an improper installation is not covered by this warranty.

The manufacturer may require that defective products be returned or that digital pictures be provided to support the claim. Returned products are to be shipped prepaid to the manufacturer for investigation. Transportation fees to ship the product back to the purchaser will be paid by the manufacturer. Repair work covered by the warranty, executed at the purchaser's domicile by an authorized qualified technician requires the prior approval of the manufacturer. All parts and labour costs covered by this warranty are limited according to the table below.

The manufacturer, at its discretion, may decide to repair or replace any part or unit after inspection and investigation of the defect. The manufacturer may, at its discretion, fully discharge all obligations with respect to this warranty by refunding the wholesale price of any warranted but defective parts. The manufacturer shall, in no event, be responsible for any uncommon, indirect, consequential damages of any nature, which are in excess of the original purchase price of the product. **A one-time replacement limit applies to all parts benefiting from lifetime coverage.** This warranty applies to products purchased after June 1<sup>st</sup>, 2015.

DESCRIPTION	WARRANTY APPLICATION*	
	PARTS	LABOUR
Combustion chamber (welds only) and cast iron door frame	Lifetime***	5 years
Ceramic glass**, plating (manufacturing defect**), and convector air-mate	Lifetime***	N/A
Surrounds, heat shields, ash drawer, steel legs, pedestal, trims (aluminum extrusions), vermiculite, C-Cast or equivalent baffle**, secondary air tubes**, removable stainless steel combustion chamber, deflectors, and supports	7 years***	N/A
Handle assembly, glass retainers and air control mechanism	5 years	3 years
Removable carbon steel combustion chamber components	5 years	N/A
Standard and optional blower, heat sensors, switches, rheostat, wiring, and electronics	2 years	1 year
Paint (peeling**), gaskets, insulation, ceramic fiber blankets, refractory bricks (fireplace only***), and other options	1 year	N/A
All parts replaced under the warranty	90 days	N/A

*\*Subject to limitations above    \*\*Picture required    \*\*\*limited to one replacement*

Labour cost and repair work to the account of the manufacturer are based on a predetermined rate schedule and must not exceed the wholesale price of the replacement part.

Shall your unit or a components be defective, contact immediately your OSBURN dealer. To accelerate processing of your warranty claim, make sure to have on hand the following information when calling:

- Your name, address and telephone number
- Bill of sale and dealer's name
- Installation configuration
- Serial number and model name as indicated on the nameplate fixed to the back of your unit
- Nature of the defect and any relevant information

**Before shipping your unit or defective component to our plant, you must obtain an Authorization Number from your OSBURN dealer. Any merchandise shipped to our plant without authorization will be refused automatically and returned to sender.**

This document is available for free download on the manufacturer's website. It is a copyrighted document. Resale is strictly prohibited. The manufacturer may update this document from time to time and cannot be responsible for problems, injuries, or damages arising out of the use of information contained in any document obtained from unauthorized sources.



Stove Builder International inc.  
250, rue de Copenhague,  
St-Augustin-de-Desmaures (Québec) Canada  
G3A 2H3  
1-877-356-6663  
<https://www.osburn-mfg.com/en/>  
[tech@sbi-international.com](mailto:tech@sbi-international.com)