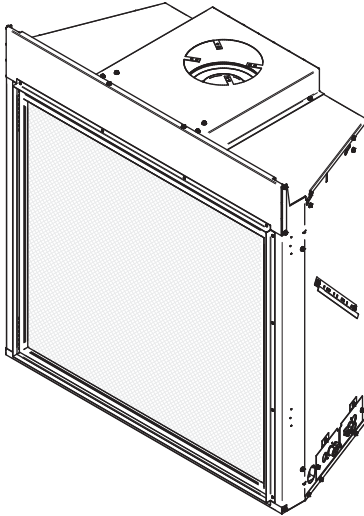


# Valcourt

# INSTALLATION INSTRUCTIONS

## S36 MODEL

(FG00003 & FG00030) PROFLAME II VERSION  
MULTIFUNCTION REMOTE (MF)  
(FG00006) MILLIVOLT VERSION



**DIRECT VENT  
ZERO CLEARANCE  
GAS FIREPLACE HEATER**

SAFETY TESTED  
ACCORDING TO ANSI Z21.88-2017  
AND CSA 2.33-2017 STANDARDS  
BY AN ACCREDITED LABORATORY.



## ! DANGER

**HOT GLASS WILL CAUSE BURNS. DO NOT TOUCH** GLASS UNTIL COOLED. **NEVER** ALLOW CHILDREN TO TOUCH GLASS. A barrier designed to reduce the risk of burns from the hot viewing glass is provided with this appliance and must be installed for the protection of children and other at-risk individuals. NOTE : Barrier required, may be sold separately.

## WARNING

### FIRE OR EXPLOSION HAZARD

- Failure to follow safety warnings exactly could result in serious injury, death or property damage.
- Do not store or use gasoline or other flammable vapors and liquids in the vicinity of this or any other appliance.

### WHAT TO DO IF YOU SMELL GAS

- Do not try to light any appliance.
- Do not touch any electrical switch; do not use any phone in your building.
- Leave the building immediately.
- Immediately call your gas supplier from a neighbor's phone. Follow the gas supplier's instructions.
- If you cannot reach your gas supplier, call the fire department.
- Installation and service must be performed by a qualified installer, service agency or the gas supplier.

### WARNING

- If not installed, operated and maintained in accordance with the manufacturer's instructions, this product could expose you to substances in fuel or from fuel combustion which can cause death or serious illness.

• This appliance may be installed in an aftermarket, permanently located, manufactured home (USA only) or mobile home, where it is not prohibited by local codes.

• This appliance is only for use with the type of gas indicated on the rating plate.

• This appliance is not convertible for use with other gases, unless a certified kit is used.

• Fuels used in gas, wood-burning or oil fired appliances, and the products of combustion of such fuels, contain chemicals known to the State of California to cause cancer, birth defects or other reproductive harm. For more information go to [www.P65warnings.ca.gov/](http://www.P65warnings.ca.gov/)

**INSTALLER: LEAVE THIS MANUAL WITH THE APPLIANCE**





**To reduce the risk of fire,  
follow the installation  
instructions in this manual.**

# TABLE OF CONTENTS

CERTIFICATION PLATE.....	6
<b>PART A - OPERATION .....</b>	<b>8</b>
<b>1. Safety Information.....</b>	<b>8</b>
Carbon monoxide poisoning hazard.....	9
Safety Information for Users of Propane Gas.....	10
<b>2. General Information .....</b>	<b>12</b>
2.1 Appliance Certification .....	12
2.2 Qualified Installing/repairing Agency .....	12
2.3 High Altitude.....	13
2.4 While unpacking .....	13
2.5 Installation Guidelines .....	13
2.6 Preparation.....	13
2.7 Specifications .....	14
2.8 Manual Kit Content .....	15
2.9 Dimensions.....	16
<b>PART B - INSTALLATION.....</b>	<b>17</b>
<b>3. Fireplace Installation.....</b>	<b>17</b>
3.1 Safety Information.....	17
3.2 Appliance Location .....	17
3.3 Framing Clearances and Mantle .....	18
3.4 Finishing.....	24
3.5 Installing a television above a fireplace .....	25



<b>4. Venting installation.....</b>	<b>26</b>
4.1 General .....	26
4.2 Vent Restrictor .....	27
4.3 Clearance to Combustibles .....	28
4.4 Termination Vent System .....	29
4.5 Framing .....	37
4.6 Minimum Vent Height Above the Roof.....	39
4.7 Installing the Vent System in a Chase .....	39
4.8 Termination Clearances .....	41
<b>5. Gas Connections.....</b>	<b>42</b>
5.1 Gas Supply.....	42
5.2 Installing a New Shut-Off Valve.....	43
5.3 Checking Manifold Pressures .....	44
5.4 Gas Line Connection .....	44
<b>6. Electrical Connections.....</b>	<b>45</b>
6.1 Junction box connections .....	45
6.2 Control Module Access .....	46
6.3 Proflame II Wiring Diagram .....	47
6.4 Millivolt Wiring Diagram .....	48
<b>7. Invisimesh barrier and glass door removal.....</b>	<b>50</b>
<b>8. Volcanic stones Installation (AC04381).....</b>	<b>51</b>
<b>Appendix 1: Accessories .....</b>	<b>52</b>

# CERTIFICATION PLATE



REFER TO INTERTEK'S DIRECTORY OF BUILDING PRODUCTS FOR DETAILED INFORMATION  
SE RÉFÉRER AU RÉPERTOIRE DES PRODUITS HOMOLOGUÉS D'INTERTEK POUR PLUS D'INFORMATION

## LISTED VENTED GAS FIREPLACE HEATERS FOYER À GAZ HOMOLOGUÉ

FOR USE WITH GAS  
POUR UTILISATION AU GAZ

Intertek

STANDARDS / NORMES D'ESSAI:

Control number: 4002461

Category 1

Certified to / Certifié selon CSA/ANSI Z21.88-(2017) / CSA 2.33-(2017)

MODEL / MODÈLE:  
**S36 (FG00003)**

Serial Number / No. de Série **0**

CONTACT LOCAL BUILDING OFFICIALS ABOUT THE RESTRICTIONS AND INSTALLATION INSPECTION IN YOUR AREA.

COMMUNIQUER AVEC LES AUTORITÉS LOCALES DU BÂTIMENT ET DE LA PRÉVENTION DES INCENDIES AU SUJET DES RESTRICTIONS D'INSTALLATION DANS VOTRE SECTEUR.

TYPE OF GAS / GENRE DE GAZ:	<input type="checkbox"/> PROPANE 1.45 mm	<input checked="" type="checkbox"/> NAT 42 DMS
ORIFICE DRILL SIZE / GROSSEUR TROU DE L'ORIFICE:		
MAX. INPUT / PUISSANCE MAXIMALE D'ENTRÉE :	24 000 BTU/HR (7.03 kW)	24 000 BTU/HR (7.03 kW)
MIN. INPUT / PUISSANCE MINIMALE D'ENTRÉE :	19 000 BTU/HR (5.28 kW)	18 000 BTU/HR (5.28 kW)
<b>GAS SUPPLY PRESSURE / PRESSION LIGNE À GAZ</b>		
MAXIMUM PRESSION / PRESSION MAXIMALE	14.0 IN. W.C. (3.48 kPa)	14.0 IN. W.C. (3.48 kPa)
MINIMUM FOR PURPOSE OF ADJUSTMENT / MINIMUM POUR PERMETTRE L'AJUSTEMENT À L'ENTRÉE:	10.8 IN. W.C. (2.69 kPa)	4.5 IN. W.C. (1.74 kPa)
MANIFOLD / PRESSION DES GAZ	10.0 IN. W.C. (2.49 kPa)	3.5 IN. W.C. (0.87 kPa)
<b>ALTITUDE</b>	<b>0 - 4 500 Ft (0 - 1 370 m)</b>	<b>0 - 4 500 Ft (0 - 1 370 m)</b>

INSTALL AND USE ONLY IN ACCORDANCE WITH SBI STOVE BUILDER INTERNATIONAL INSTALLATION AND OPERATION INSTRUCTIONS.  
L'INSTALLATION ET L'OPERATION DOIT SE FAIRE SELON LES INSTRUCTIONS D'INSTALLATION ET D'UTILISATION DE SBI FABRICANT DE POÊLES INTERNATIONAL.

PREVENT HOUSE FIRES

PRÉVENEZ LES INCENDIES

- Not for use with solid fuel.
- Use with suitable type B gas vent or BW gas vent.
- Keep burner and control compartment clean.
- Do not overfire unit.
- For use with glass doors certified with the appliance only.
- This fireplace may be installed as an aftermarket, permanently located, manufactured home (USA only) or mobile home, where not prohibited by local codes.
- This appliance must be installed in accordance with manufacturer's instructions and local codes. In the absence of local codes, follow the current NFPA 54/ANSI Z223.1 or CSA B149.1 installation codes.
- Acceptable for installation from 0-4500 FT. (0-1372 M.)
- Pas conçu pour utilisation avec combustible solide.
- Utiliser avec un évent à gaz approprié de type B ou BW.
- Maintenir le brûleur et le compartiment de contrôle propre.
- Ne pas surchauffer le foyer.
- Pour utilisation seulement avec la vitre certifiée avec le produit.
- Cet appareil peut être installé dans une maison préfabriquée (mobile) déjà installée si les règlements locaux le permettent.
- Cet appareil doit être installé conformément aux instructions du fabricant et aux codes locaux. En l'absence de codes locaux, suivez les codes d'installation actuels NFPA 54/ANSI Z223.1 ou CSA B149.1.
- Installation acceptable de 0-4500 FT. (0-1372 M.)

### MINIMUM CLEARANCES TO COMBUSTIBLE MATERIALS / DÉGAGEMENTS MINIMUM AUX MATÉRIAUX COMBUSTIBLES

Backwall / Mur arrière :	0 in. / po. (0 mm)
Sidewall / Mur latéral [1] :	6 in./po. (153 mm)
Ceiling / Plafond [1] :	36 in./po. (915 mm)
Mantles, shelves, etc./ Manteaux, tablettes, etc. :	[2]
Center of vent to nearest outside corner or obstruction / Centre de l'évent au coins extérieur ou obstruction la plus proche :	12 in./po. (305 mm)

[1] From door opening. / À partir de l'ouverture de la porte.

[2] See installation instructions for specified clearances for projections above appliance. / Voir les instructions d'installation pour les dégagements spécifiques au projections au-dessus de l'appareil.

Optional blower no. AC04380 - may be used. / Ventilateur optionnel AC04380 - peut être utilisé.  
115V, 60Hz, 50W, less than / moins de 3A.

For use only with barrier part no / Utiliser seulement avec grillage no. 31072



**WARNING:** This product can expose you to carbon monoxide, which is known to the State of California to cause cancer, birth defects or other reproductive harm.

(For more information go to [www.p65warnings.ca.gov](http://www.p65warnings.ca.gov))

## CAUTION

- DO NOT USE A BLOWER INSERT, HEAT EXCHANGER INSERT OR OTHER ACCESSORY NOT APPROVED FOR USE WITH THIS HEATER.
- HOT WHILE IN OPERATION.
- DO NOT TOUCH. KEEP CHILDREN, CLOTHING AND FURNITURE AWAY.
- DO NOT INSTALL IN ALCOVE OR CLOSET.
- WHEN THE VENT - AIR INTAKE SYSTEM IS REMOVED FOR SERVICING REFER TO INSATLLATION INSTRUCTIONS AND OWNER'S MANUAL FOR PROPER RESEALING OR REINSTALLATION.
- WHENEVER THIS APPLIANCE IS NOT USED FOR EXTENDED PERIODS, TURN GAS CONTROL KNOB TO "OFF" POSITION.
- THIS VENTED GAS FIREPLACE HEATER IS NOT FOR USE WITH AIR FILTERS.

## ATTENTION

- NE PAS UTILISER DE VENTILATEUR, ÉCHANGEUR DE CHALEUR OU AUTRES ACCESSOIRES NON APPROUVÉ AVEC CET UNITÉ.
- CHAUD EN FONCTIONNEMENT.
- NE PAS TOUCHER. GARDER LES ENFANTS, LES VÊTEMENTS ET LES MEUBLES ÉLOIGNÉS.
- NE PAS INSTALLER DANS UN ALCÔVE OU UN PLACARD.
- LORSQUE L'ÉVENT / ENTRÉE D'AIR SONT ENLEVÉS POUR L'ENTRETIEN, CONSULTER LES INSTRUCTIONS D'INSTALLATION ET D'UTILISATION POUR SCÉLER OU RÉINSTALLER DE FAÇON APPROPRIÉE.
- LORSQUE L'APPAREIL N'EST PAS UTILISÉ POUR UNE PÉRIODE PROLONGÉE, FERMER L'ARRIVÉE DES GAZ EN TOURNANT LA VANNE D'ARRÊT EN POSITION «OFF».
- CETTE UNITÉ NE DOIT PAS ÊTRE UTILISÉE AVEC DES FILTRES À AIR.

Made in St-Augustin-de-Desmaures (Qc), Canada  
03/05/2022 ( # test )

*Valecourt*

Fabriqué à St-Augustin-de-Desmaures (Qc), Canada  
03/05/2022 ( # test )  
27794



REFER TO INTERTEK'S DIRECTORY OF BUILDING PRODUCTS FOR DETAILED INFORMATION  
SE RÉFÉRER AU RÉPERTOIRE DES PRODUITS HOMOLOGUÉS D'INTERTEK POUR PLUS D'INFORMATION

**LISTED VENTED GAS FIREPLACE HEATERS  
FOYER À GAZ HOMOLOGUÉ**

FOR USE WITH GAS  
POUR UTILISATION AU GAZ

**Intertek**  
STANDARDS / NORMES D'ESSAI:

Control number: 4002461

Category 1

Certified to / Certifié selon CSA/ANSI Z21.88-(2017) / CSA 2.33-(2017)

**MODEL / MODÈLE:  
S36 (FG00030)**

Serial Number  
No. de Série **999999**

CONTACT LOCAL BUILDING OFFICIALS ABOUT THE RESTRICTIONS AND INSTALLATION INSPECTION IN YOUR AREA.  
COMMUNIQUER AVEC LES AUTORITÉS LOCALES DU BÂTIMENT ET DE LA PRÉVENTION DES INCENDIES AU SUJET DES RESTRICTIONS D'INSTALLATION DANS VOTRE SECTEUR.

TYPE OF GAS / GENRE DE GAZ:	<input checked="" type="checkbox"/> PROPANE 1.45 mm	<input type="checkbox"/> NAT 42 DMS
ORIFICE DRILL SIZE / GROSSEUR TROU DE L'ORIFICE:		
MAX. INPUT / PUISSANCE MAXIMALE D'ENTRÉE :	24 000 BTU/HR (7.03 kW)	24 000 BTU/HR (7.03 kW)
MIN. INPUT / PUISSANCE MINIMALE D'ENTRÉE :	19 000 BTU/HR (5.28 kW)	18 000 BTU/HR (5.28 kW)
<u>GAS SUPPLY PRESSURE / PRESSION LIGNE À GAZ</u>		
MAXIMUM PRESSION / PRESSION MAXIMALE	14.0 IN. W.C. (3.48 kPa)	14.0 IN. W.C. (3.48 kPa)
MINIMUM FOR PURPOSE OF ADJUSTMENT /		
MINIMUM POUR PERMETTRE L'AJUSTEMENT À L'ENTRÉE:	10.8 IN. W.C. (2.69 kPa)	4.5 in. W.C. (1.74 kPa)
MANIFOLD / PRESSION DES GAZ	10.0 IN. W.C. (2.49 kPa)	3.5 IN. W.C. (0.87 kPa)
<b>ALTITUDE</b>	<b>0 - 4 500 Ft (0 - 1 370 m)</b>	<b>0 - 4 500 Ft (0 - 1 370 m)</b>

INSTALL AND USE ONLY IN ACCORDANCE WITH SBI STOVE BUILDER INTERNATIONAL INSTALLATION AND OPERATION INSTRUCTIONS.  
L'INSTALLATION ET L'OPERATION DOIT SE FAIRE SELON LES INSTRUCTIONS D'INSTALLATION ET D'UTILISATION DE SBI FABRICANT DE POÊLES INTERNATIONAL.

PREVENT HOUSE FIRES

PRÉVENEZ LES INCENDIES

- Not for use with solid fuel.
- Use with suitable type B gas vent or BW gas vent.
- Keep burner and control compartment clean.
- Do not overfire unit.
- For use with glass doors certified with the appliance only.
- This fireplace may be installed as an aftermarket, permanently located, manufactured home (USA only) or mobile home, where not prohibited by local codes.
- This appliance must be installed in accordance with manufacturer's instructions and local codes. In the absence of local codes, follow the current NFPA 54/ANSI Z223.1 or CSA B149.1 installation codes.
- Acceptable for installation from 0-4500 FT. (0-1372 M.)
- Pas conçu pour utilisation avec combustible solide.
- Utiliser avec un évent à gaz approprié de type B ou BW.
- Maintenir le brûleur et le compartiment de contrôle propre.
- Ne pas surchauffer le foyer.
- Pour utilisation seulement avec la vitre certifiée avec le produit.
- Cet appareil peut être installé dans une maison préfabriquée (mobile) déjà installée si les règlements locaux le permettent.
- Cet appareil doit être installé conformément aux instructions du fabricant et aux codes locaux. En l'absence de codes locaux, suivez les codes d'installation actuels NFPA 54/ANSI Z223.1 ou CSA B149.1.
- Installation acceptable de 0-4500 FT. (0-1372 M.)

MINIMUM CLEARANCES TO COMBUSTIBLE MATERIALS /  
DÉGAGEMENTS MINIMUM AUX MATÉRIAUX COMBUSTIBLES

Backwall / Mur arrière :	0 in. / po. (0 mm)
Sidewall / Mur latéral [1] :	6 in./po. (153 mm)
Ceiling / Plafond [1] :	36 in./po. (915 mm)
Mantles, shelves, etc./ Manteaux, tablettes, etc. :	[2]
Center of vent to nearest outside corner or obstruction / Centre de l'évent au coins extérieur ou obstruction la plus proche :	12 in./po. (305 mm)

[1] From door opening. / À partir de l'ouverture de la porte.

[2] See installation instructions for specified clearances for projections above appliance. / Voir les instructions d'installation pour les dégagements spécifiques au projections au-dessus de l'appareil.

Optional blower no. AC04380 - may be used. / Ventilateur optionnel AC04380 - peut être utilisé.  
115V, 60Hz, 50W, less than / moins de 3A.

For use only with barrier part no / Utiliser seulement avec grillage no. 31072



**WARNING:** This product can expose you to carbon monoxide, which is known to the State of California to cause cancer, birth defects or other reproductive harm.

(For more information go to [www.p65warnings.ca.gov](http://www.p65warnings.ca.gov))

**CAUTION**

- DO NOT USE A BLOWER INSERT, HEAT EXCHANGER INSERT OR OTHER ACCESSORY NOT APPROVED FOR USE WITH THIS HEATER.
- HOT WHILE IN OPERATION.
- DO NOT TOUCH. KEEP CHILDREN, CLOTHING AND FURNITURE AWAY.
- DO NOT INSTALL IN ALCOVE OR CLOSET.
- WHEN THE VENT - AIR INTAKE SYSTEM IS REMOVED FOR SERVICING REFER TO INSATLLATION INSTRUCTIONS AND OWNER'S MANUAL FOR PROPER RESEALING OR REINSTALLATION.
- WHENEVER THIS APPLIANCE IS NOT USED FOR EXTENDED PERIODS, TURN GAS CONTROL KNOB TO "OFF" POSITION.
- THIS VENTED GAS FIREPLACE HEATER IS NOT FOR USE WITH AIR FILTERS.

**ATTENTION**

- NE PAS UTILISER DE VENTILATEUR, ÉCHANGEUR DE CHALEUR OU AUTRES ACCESSOIRES NON APPROUVÉ AVEC CET UNITÉ.
- CHAUD EN FONCTIONNEMENT.
- NE PAS TOUCHER. GARDER LES ENFANTS, LES VÊTEMENTS ET LES MEUBLES ÉLOIGNÉS.
- NE PAS INSTALLER DANS UN ALCÔVE OU UN PLACARD.
- LORSQUE L'ÉVENT / ENTRÉE D'AIR SONT ENLEVÉS POUR L'ENTRETIEN, CONSULTER LES INSTRUCTIONS D'INSTALLATION ET D'UTILISATION POUR SCÉLER OU RÉINSTALLER DE FAÇON APPROPRIÉE.
- LORSQUE L'APPAREIL N'EST PAS UTILISÉ POUR UNE PÉRIODE PROLONGÉE, FERMER L'ARRIVÉE DES GAZ EN TOURNANT LA VANNE D'ARRÊT EN POSITION «OFF».
- CETTE UNITÉ NE DOIT PAS ÊTRE UTILISÉE AVEC DES FILTRES À AIR.

Made in St-Augustin-de-Desmaures (Qc), Canada  
03/05/2022 ( # test )



Fabriqué à St-Augustin-de-Desmaures (Qc), Canada  
03/05/2022 ( # test )  
27892

WARNING

ENGLISH

## PART A - OPERATION

### 1. Safety Information

WARNING

**Before enclosing the vent pipe assembly, operate the appliance to ensure it is venting properly.**



#### **DO NOT OPERATE THIS APPLIANCE WITHOUT GLASS FRONT PANEL INSTALLED.**

1. Due to high temperatures, the appliance should be located out of traffic and away from furniture and draperies.
2. Children and adults should be alerted to the hazards of high surface temperature and should stay away to avoid burns or clothing ignition.
3. Young children should be carefully supervised when they are in the same room as the appliance. Toddlers, young children, and others may be susceptible to accidental contact burns. A physical barrier is recommended if there are at-risk individuals in the house. To restrict access to a fireplace or stove, install an adjustable safety gate to keep toddlers, young children, and other at-risk individuals out of the room and away from hot surfaces.
4. For appliances requiring a barrier, as determined under Clause 5.15.4: "A barrier designed to reduce the risk of burns from the hot viewing glass is provided with this appliance and shall be installed for the protection of children and other at-risk individuals."
5. If the barrier becomes damaged, the barrier shall be replaced with the manufacturer's barrier for this appliance.
6. Clothing or other flammable material should not be placed on or near the appliance.
7. Any safety screen, guard, or barrier removed for servicing an appliance must be replaced prior to operating the appliance (see Clause 4.1.6).
8. Installation and repair should be done by a qualified service person. The appliance should be inspected before use and at least annually by a professional service person. More frequent cleaning might be required due to excessive lint from carpeting, bedding material, et cetera. It is imperative that control compartments, burners, and circulating air passageways of the appliance be kept clean.
9. Only doors certified with the appliance shall be used.

ENGLISH



## CARBON MONOXIDE POISONING HAZARD

**FAILURE TO FOLLOW THE STEPS OUTLINED BELOW FOR EACH APPLIANCE CONNECTED TO THE VENTING SYSTEM BEING PLACED INTO OPERATION COULD RESULT IN CARBON MONOXIDE POISONING OR DEATH.**

**THE FOLLOWING STEPS SHALL BE FOLLOWED FOR EACH APPLIANCE CONNECTED TO THE VENTING SYSTEM BEING PLACED INTO OPERATION, WHILE ALL OTHER APPLIANCES CONNECTED TO THE VENTING SYSTEM ARE NOT IN OPERATION:**

1. Seal any unused openings in the venting system.
2. Inspect the venting system for proper size and horizontal pitch, as required in the National Fuel Gas Code ANSI Z223.1/NFPA 54 or the National Gas and Propane Installation Code CSA B149.1 and these instructions. Determine that there is no blockage or restriction, leakage, corrosion and other deficiencies which could cause an unsafe condition.
3. As far as practical, close all building doors and windows and all doors between the space in which the appliance(s) connected to the venting system are located and other spaces of the building.
4. Close fireplace dampers.
5. Turn on clothes dryers and any appliance not connected to the venting system. Turn on any exhaust fans, such as range hoods and bathroom exhausts, so they are operating at maximum speed. Do not operate a summer exhaust fan. Follow the lighting instructions. Place the appliance being inspected into operation. Adjust the thermostat so appliance is operating continuously.
6. Test for spillage from draft hood equipped appliances at the draft hood relief opening after 5 minutes of main burner operation. Use the flame of a match or candle.
7. If improper venting is observed during any of the above tests, the venting system must be corrected in accordance with National Fuel Gas Code, ANSI Z223.1/NFPA and/or National Gas and Propane Installation Code, CSA B149.1.
8. After it has been determined that each appliance connected to the venting system properly vents when tested as outlined above, return doors, windows, exhaust fans, fireplace dampers and any other gas-fired burning appliance to their previous conditions of use.

# SAFETY INFORMATION FOR USERS OF PROPANE GAS

Propane is a flammable gas which can cause fires and explosions. In its natural state, propane is odorless and colorless. You may not know all the following safety precautions which can protect both you and your family from an accident. Read them carefully now, then review them point by point with the members of your household. Someday when there may not be a minute to lose, everyone's safety will depend on knowing exactly what to do. If, after reading the following information, you feel you still need more information, please contact your gas supplier.



If a gas leak happens, you should be able to smell the gas because of the odorant put in the propane gas. That's your signal to go into immediate action!

- Do not operate electric switches, light matches, use your phone. Do not do anything that could ignite the gas.
- Get everyone out of the building, vehicle, trailer, or area. Do that IMMEDIATELY.
- Close all gas tank or cylinder supply valves.
- Propane Gas is heavier than air and may settle in low areas such as basements. When you have reason to suspect a gas leak, keep out of basements and other low areas. Stay out until firefighters declare them to be safe.
- Use your neighbor's phone and call a trained Propane Gas service person and the fire department.
- Even though you may not continue to smell gas, do not turn on the gas again. Do not re-enter the building, vehicle, trailer, or area.
- Finally, let the service man and firefighters check for escaped gas. Have them air out the area before you return. Properly trained Propane Gas service people should repair the leak, then check and relight the gas fireplace for you.

## NO ODOR DETECTED - ODOR FADE

Some people cannot smell well. Some people cannot smell the odor of the chemical put into the gas. You must find out if you can smell the odorant in propane. Smoking can decrease your ability to smell. Being around an odor for a time can affect your sensitivity or ability to detect that odor. Sometimes other odors in the area mask the gas odor. People may not smell the gas odor or their minds are on something else. Thinking about smelling a gas odor can make it easier to smell. **The odorant in Propane Gas is colorless, and it can fade under some circumstances.** For example, if there is an underground leak, the movement of the gas through soil can filter the odorant. Odorants in Propane Gas also are subject to oxidation. This fading can occur if there is rust inside the storage tank or in iron gas pipes.



# SAFETY INFORMATION FOR USERS OF PROPANE GAS (CONT'D)

The odorant in escaped gas can adsorb or absorb onto or into walls, masonry and other materials and fabrics in a room. That will take some of the odorant out of the gas, reducing its odor intensity. Propane Gas may stratify in a closed area, and the odor intensity could vary at different levels. Since it is heavier than air, there may be more odor at lower levels. Always be sensitive to the slightest gas odor. If you detect any odor, treat it as a serious leak. Immediately go into action as instructed earlier.

## SOME POINTS TO REMEMBER

### **Learn to recognize the odor of Propane Gas.**

Your local Propane Gas Dealer can give you a “Scratch and Sniff” pamphlet. Use it to find out what the propane odor smells like. If you suspect that your Propane Gas has a weak or abnormal odor, call your Propane Gas Dealer.

If you are not qualified, do not light pilot lights, perform service, or make adjustments to appliances on the Propane Gas system. If you are qualified, consciously think about the odor of Propane Gas prior to and while lighting pilot lights or performing service or making adjustments.

Sometimes a basement or a closed-up house has a musty smell that can cover up the Propane Gas odor. Do not try to light pilot lights, perform service, or make adjustments in an area where the conditions are such that you may not detect the odor if there has been a leak of Propane Gas.

Odor fade, due to oxidation by rust or adsorption on walls of new cylinders and tanks, is possible. Therefore, people should be particularly alert and careful when new tanks or cylinders are placed in service. Odor fade can occur in new tanks, or reinstalled old tanks, if they are filled and allowed to set too long before refilling. Cylinders and tanks which have been out of service for a time may develop internal rust which will cause odor fade. If such conditions are suspected to exist, a periodic sniff test of the gas is advisable.




### **If you have any question about the gas odor, call your Propane Gas Dealer. A periodic sniff test of the Propane Gas is a good safety measure under any condition.**

If, at any time, you do not smell the Propane Gas odorant and you think you should, assume you have a leak. Then take the same immediate action recommended above for the occasion when you do detect the odorized Propane Gas.

If you experience a complete “gas out,” (the container is under no vapor pressure), turn the tank valve off immediately. If the container valve is left on, the container may draw in some air through openings such as pilot light orifices. If this occurs, some new internal rusting could occur. If the valve is left open, then treat the container as a new tank. Always be sure your container is under vapor pressure by turning it off at the container before it goes completely empty or having it refilled before it is completely empty.

## 2. General Information

- This fireplace is supplied as propane or natural gas and is field convertible to natural and propane gas. See instructions packaged with the conversion kit for further information.
- This appliance is designed and approved as a supplemental heater and provides the potential for most energy conservation when used while attended. The use of an alternative primary heat source is advisable.
- This model do not include a variable speed blower. However, it may be purchased and installed during or after fireplace installation. Instructions are supplied with the blower kit.
- Sample Warnings and Definitions

DANGER	WARNING	CAUTION
 <p>Indicates a hazardous situation which, if not avoided, <b>WILL RESULT IN DEATH or serious injury.</b></p>	 <p>Indicates a hazardous situation which, if not avoided, <b>COULD RESULT IN DEATH or serious injury.</b></p>	 <p>Indicates a hazardous situation which, if not avoided, <b>COULD RESULT IN MINOR OR MODERATE INJURY.</b></p>

NOTICE: Addresses practices not related to personal injury.

### 2.1 Appliance Certification

Consult your local building code agency, prior to installation, to ensure compliance with local codes including permits and inspections. The fireplace, when installed, must be electrically grounded in accordance with local codes or, in absence of local codes, with the National Electric Code ANSI/NFPA 70 or Canadian Electric code, CSA C22.1, if an external electrical source is utilized.


### 2.2 Qualified Installing/repairing Agency

Installation and replacement of gas piping, gas utilization equipment or accessories and repair and servicing of equipment **shall be performed only by a qualified agency.**

The term “qualified agency” means any individual, firm, corporation or company which either in person or through a representative is engaged in and is responsible for :

- (a) the installation or replacement of gas piping or
- (b) the connection, installation, repair or servicing of equipment, who is experienced in such work, familiar with all precautions required and has complied with all the requirements of the authority having jurisdiction.

NOTICE: The installation must be made by a licensed plumber or gas fitter in the Commonwealth of Massachusetts.

WARNING	
	<p><b>ANY CHANGE TO THIS FIREPLACE OR ITS CONTROLS CAN BE DANGEROUS. Improper installation or use of the fireplace can cause serious injury or death from fire, burns, explosions, or carbon monoxide poisoning.</b></p>

The installation must conform with local codes or, in the absence of local codes, with the National Fuel Gas Code ANSI Z223.1/ NFPA 54\* Natural Gas and Propane Installation Code, or CSA B149.1 in Canada.



**Any alteration of the original design, installed other than as shown in these instructions or use with a type of gas not shown on the rating plate is the responsibility of the person and company making the change.**

## 2.3 High Altitude

When installing this fireplace at an elevation above 2,000 feet (in the United States) it may be necessary to decrease the input rating by changing the existing burner orifice to a smaller size. Generally, input should be reduced 4 percent for each 1,000 feet above sea level. However, if the heating value of the gas has been reduced, this general rule may not apply. Check with SBI for proper orifice size identification.

### Canadian High Altitude

When installing this fireplace at an elevation above 4,500 feet (1,370 m) without changing the BTU. When installing this fireplace at an elevation above 4,500 feet, check with local gaz utility for assistance in determining the proper orifice for location.

## 2.4 While unpacking

Before starting to unpack, place the fireplace near its final location. Undo the uprights from the packaging, be careful not to damage the appliance. Unscrew the anchors holding the fireplace to the pallet. Lift the hearth out the pallet. While unpacking, verify that the fireplace and components have not been damaged during shipping and there is no components missing.

## 2.5 Installation Guidelines

In planning the installation for the fireplace, determine where the fireplace is to be installed and whether optional accessories are desired. Gas supply piping, electrical connections and venting should also be planned at this time. Refer to the framing section to understand proper opening size of framing required for installation of the fireplace. The framing of the fireplace will determine how the fireplace finishing materials will be applied.

**NOTICE:** A manufactured home (USA only) or mobile home OEM installation must conform with the Manufactured Home Construction and Safety Standard, Title 24 CFR, Part 3280, or, when such a standard is not applicable, the Standard for Manufactured Home.

## 2.6 Preparation

This direct vent gas fireplace and its components are tested and safe when installed in accordance with this installation manual. Report to your dealer any parts damaged in shipment, specifically check glass condition. Do not install fireplace with damaged, incomplete, or substitute parts. Read all instructions before starting installation and follow these instructions carefully during installation to insure maximum benefit and safety. Failure to follow them will void your warranty and may present a fire hazard.

The warranty will be voided by, and the warranter disclaims any responsibility for the following actions:

- Installation of any damaged fireplace or vent system component.
- Modification of the fireplace or direct vent system.
- Installation other than as instructed by SBI.
- Improper positioning of the glass door, or decorative accessories including logs, crushed glass or other approved media.
- Installation or use of any component part not manufactured or approved by manufacturer.

## 2.7 Specifications

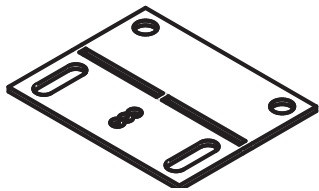
	Propane	Natural
<b>Altitude (ft)</b>	0 - 4,500	0 - 4,500
<b>Max. Input (BTU/Hr)</b>	24,000	24,000
<b>Min. Input (BTU/Hr)</b>	19,000	18,000
<b>KWH (Max.)</b>	7.03	7.03
<b>KWH (Min.)</b>	5.57	5.28
<b>Maximum Gas Supply Pressures</b> (inches water column)	14.0	14.0
<b>Minimum Gas Supply Pressures</b> (inches water column)	10.8	4.5
<b>Manifold Gas Supply Pressures</b> (inches water column)	10.0	3.5
<b>Burner orifice</b>	1.45 mm	42
<b>Efficiency</b>	50.49 %	51.02 %
<b>Air Shutter Opening</b>	Fully Open	3/16"
<b>Gas Inlet Shut-off Valve (pipe)</b>	1/2" NPT	1/2" NPT
<b>Vent Size</b>	4" x 6 5/8"	4" x 6 5/8"
<b>Blower spec (optional)</b>	115V, 60Hz, 50W, 58 CFM	

NOTICE: Air shutter settings are factory minimum settings. Some venting configurations may require minor air shutter adjustments for optimum performance.

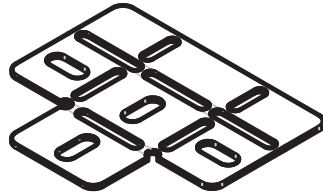
## 2.8 Manual Kit Content

See complete parts list for ordering replacement parts. Do not order batteries, bolts, screws, washers or nuts. They are standard hardware items and can be purchased at any local hardware store.

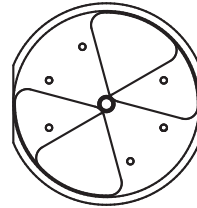
### Proflame II (FG00003)



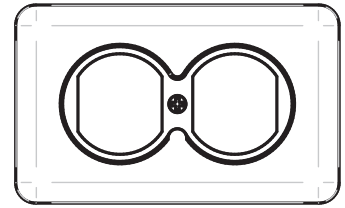
Nailing Flange  
4X



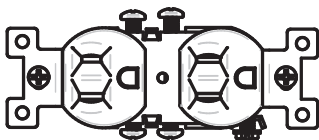
Liner Holder  
2X



Flue Restrictor Assembly  
1x



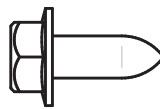
Junction Box Cover  
1x



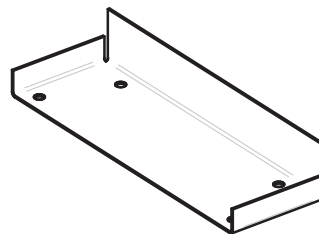
Duplex Receptacle  
1x



#10 x 1/2" Screw  
(22x)



Backer stud  
(4x)



Remote  
(1x)

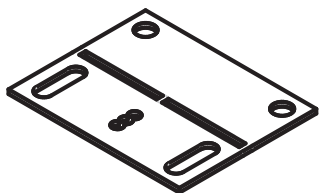


AA Battery  
(4x)

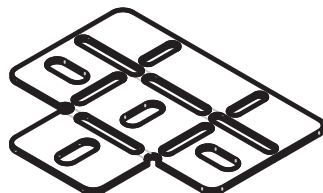


AAA Battery  
(3x)

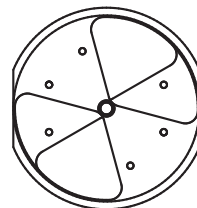
### Millivolt (FG00006)



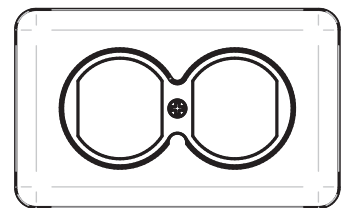
Nailing Flange  
4X



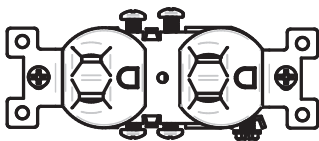
Liner Holder  
2X



Flue Restrictor Assembly  
1x



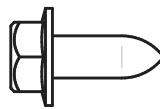
Junction Box Cover  
1x



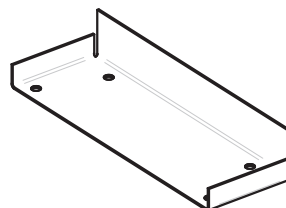
Duplex Receptacle  
1x



#10 x 1/2" Screw  
(22x)

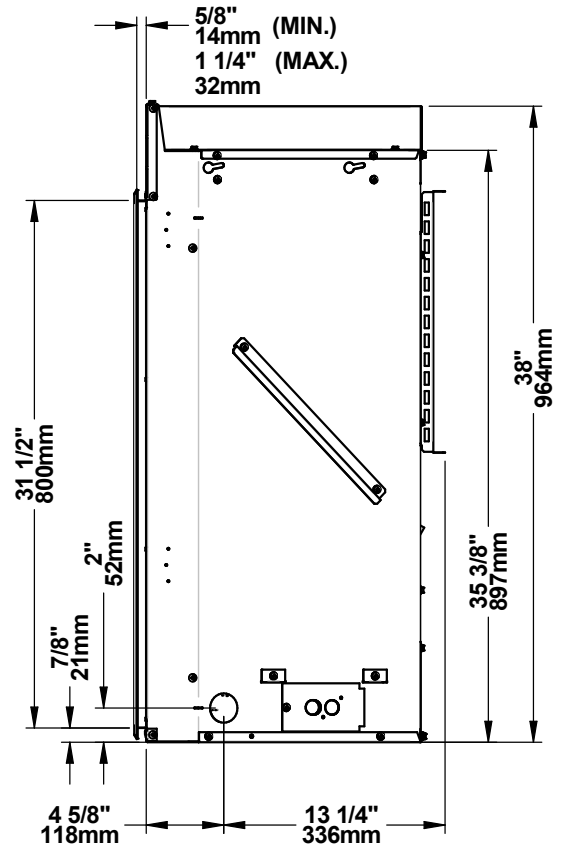
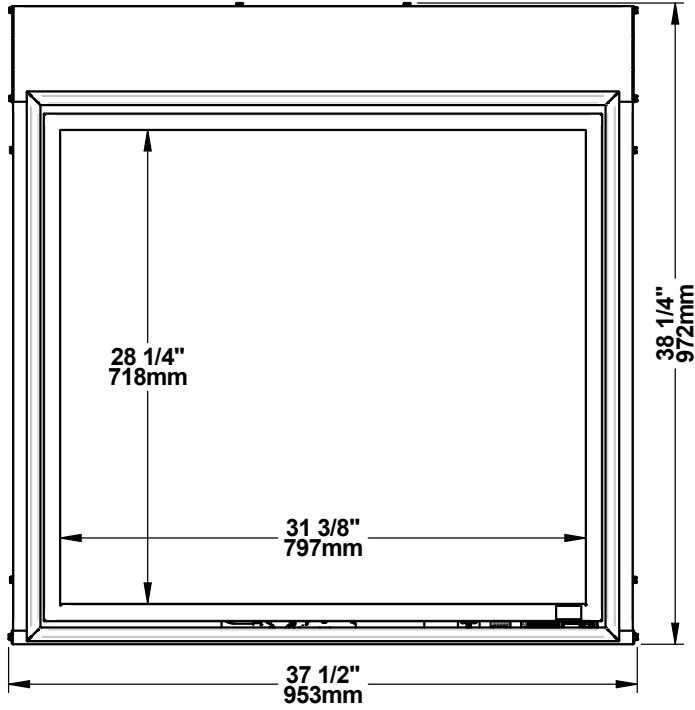
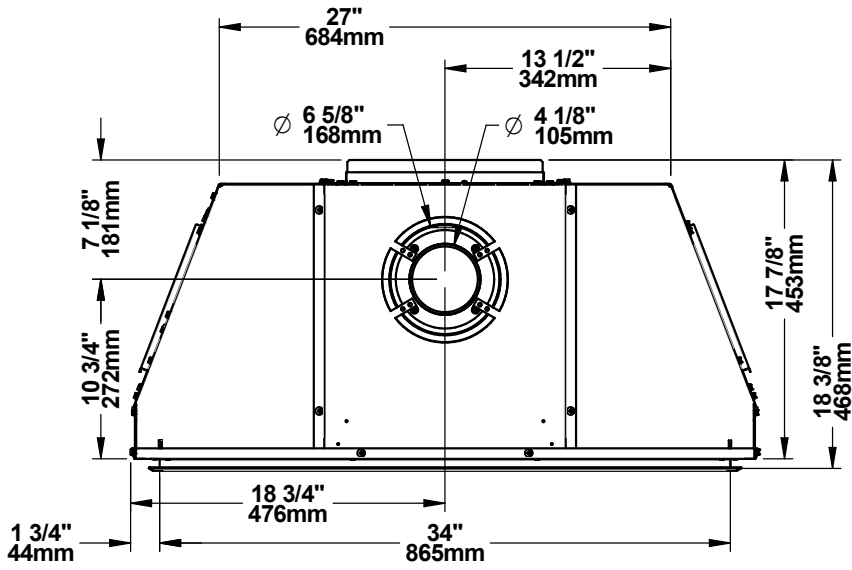


Backer stud  
(4x)



## 2.9 Dimensions

FRAMING




ENGLISH

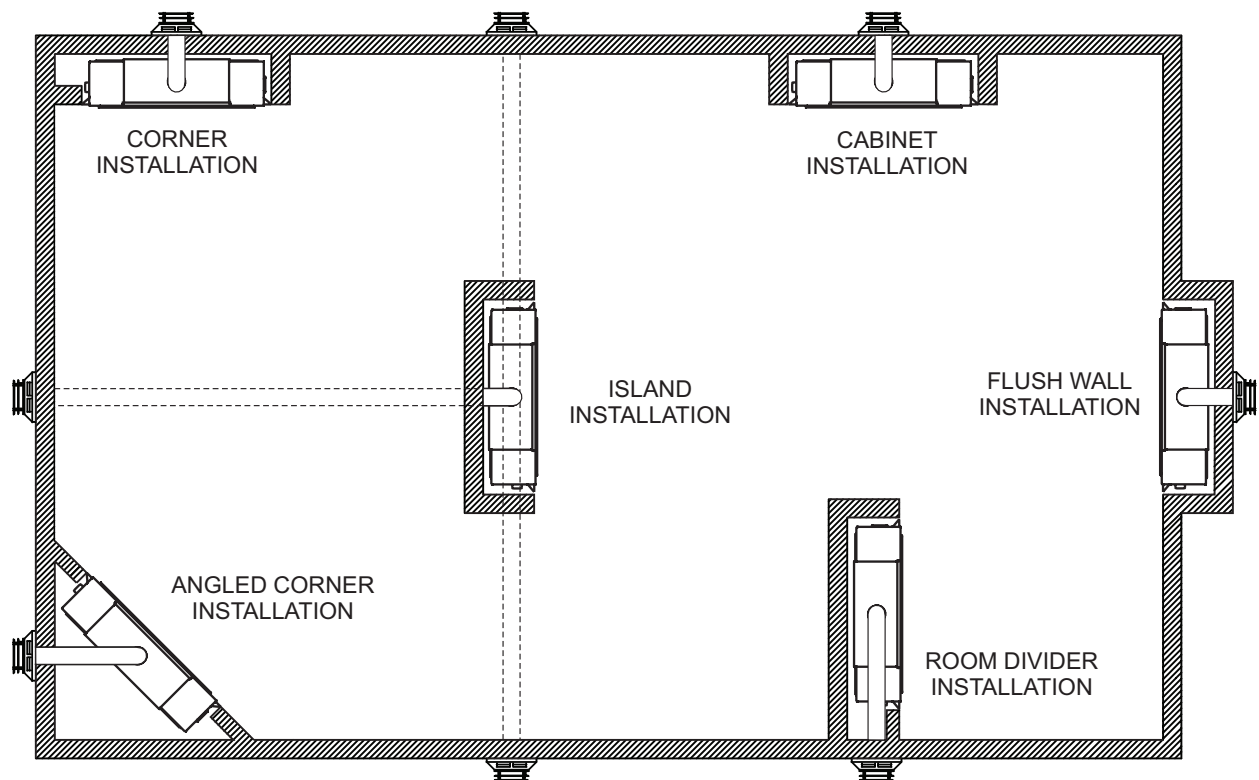
## PART B - INSTALLATION

### 3. Fireplace Installation

#### 3.1 Safety Information

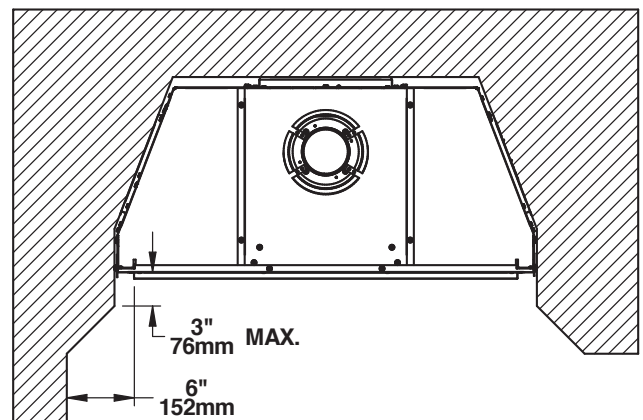
WARNING	
	Hot Wall surfaces! The Wall directly above the fireplace is constructed of non-combustible materials and although safe, it may reach temperatures in excess of 250°F depending on choice of trims or optional accessories. Do not touch. Finish the wall using materials suitable for these temperatures.

#### 3.2 Appliance Location



**NOTE:** Island and Room Divider installation is possible as long as the horizontal portion of the vent system does not exceed 20 feet with a minimum vertical run of 8 feet.

**NOTE:** When installing this fireplace against an exterior wall, insulate to applicable insulation codes. When you install your direct vent fireplace in room divider or flat on wall corner positions, a minimum of 8 inches clearance must be maintained from the perpendicular wall and the front opening of the fireplace. Keep a 6 in minimum clearance from the side wall and the fireplace opening



**NOTE: COMBUSTIBLE MATERIALS ALLOWED IN SHADED AREA**

### 3.3 Framing Clearances and Mantle

A chase is a vertical box-like structure built to enclose the gas fireplace and its vent system. In cooler climates the vent should be enclosed inside the chase.

*NOTICE: Treatment of ceiling firestops and wall shield firestops and construction of the chase may vary with the type of building. These instructions are not substitutes for the requirements of local building codes. Therefore, you MUST check local building codes to determine the requirements to these steps.*

A chase should be constructed in the manner of all outside walls of the home to prevent cold air drafting problems. The chase should not break the outside building envelope in any manner. Walls, ceiling, base plate and cantilever floor of the chase should be insulated. Vapor and air infiltration barriers should be installed in the chase as per regional codes for the rest of the home.

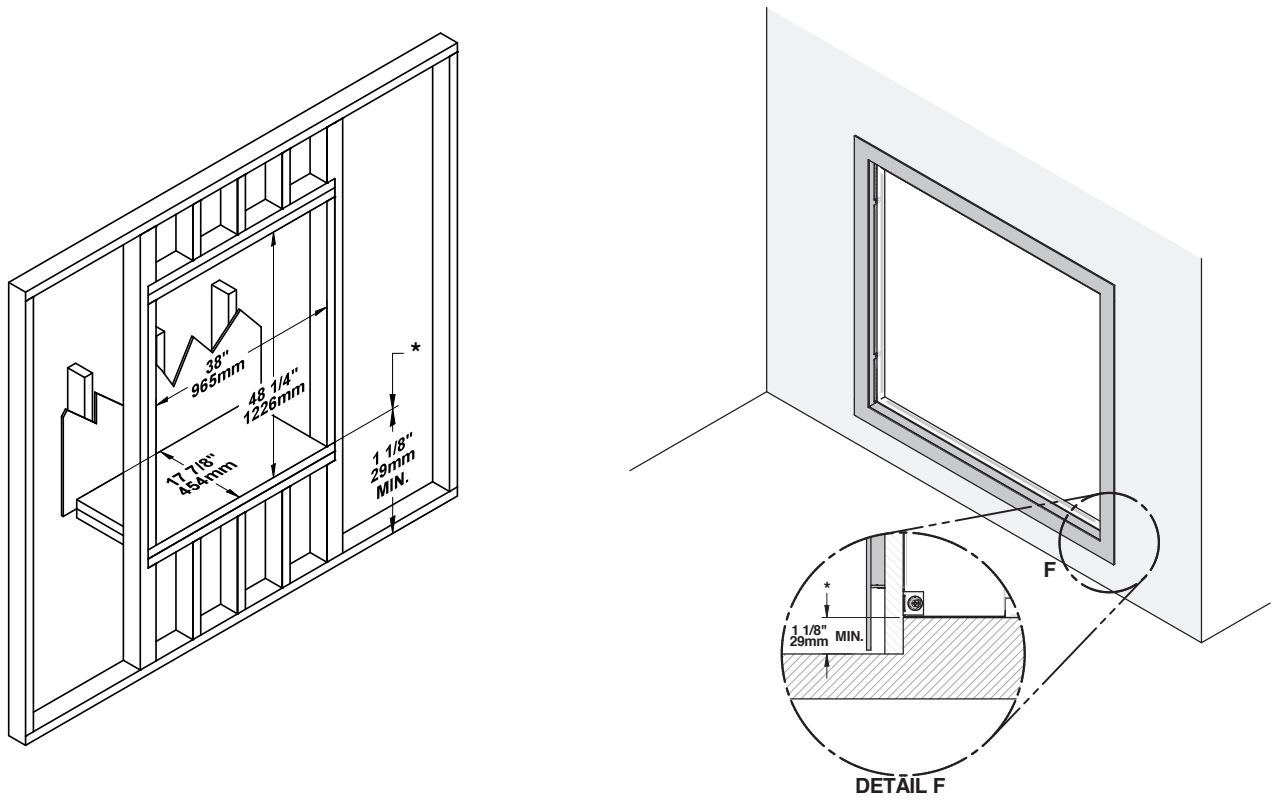
Additionally, in regions where cold air infiltration may be an issue, the inside surfaces may be sheet rocked and taped (or an equivalent method may be used) to achieve maximum air tightness.

To further prevent drafts, the wall shield and ceiling firestops should be caulked with caulk rated for a minimum of 300°F continuous exposure rating to seal gaps. Gas line holes and other openings should be caulked or stuffed with unfaced insulation.

If the fireplace is being installed on a cement surface, a layer of plywood may be placed underneath to prevent conducting cold up into the room.

**Attention:** Cold climate installation recommendation: When installing this fireplace against a non-insulated exterior wall, it is recommended that the outer walls be insulated to conform to applicable insulation codes.

Framing dimension A includes a 10 inch clearance for framing standoffs on fireplace. After installing fireplace into framing, the non-combustible board must cover the 10 inch opening above the fireplace.

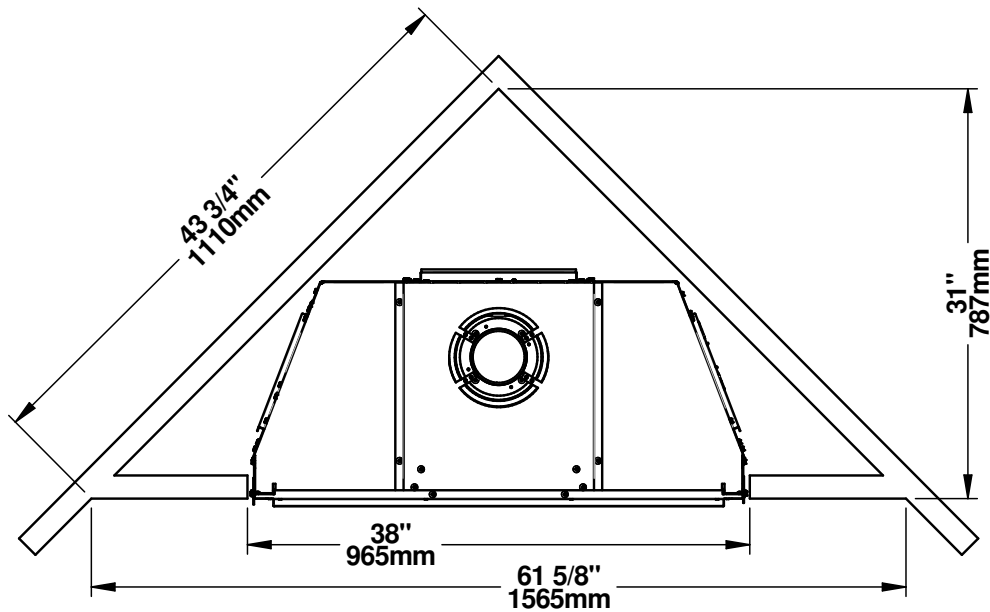


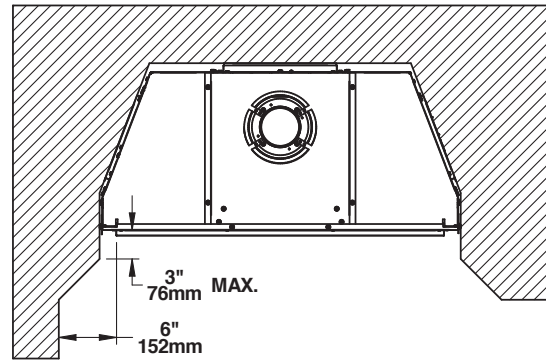
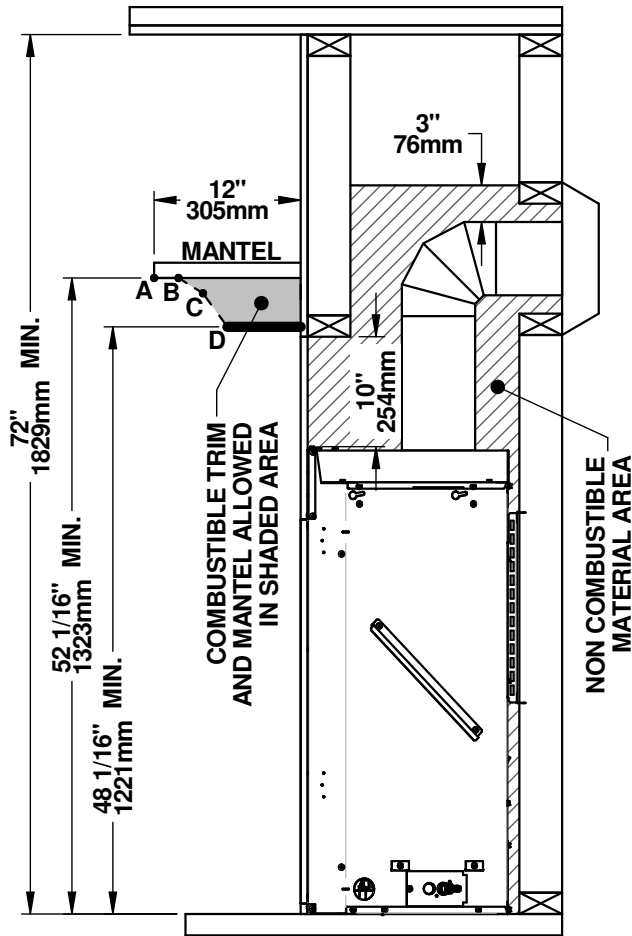
**\*WARNING**



Plan for an 1 1/8" elevation if the fireplace is installed with a large trim (AC04307).

3.3.1 Corner Framing





**NOTE: COMBUSTIBLE MATERIALS ALLOWED IN SHADED AREA**

Index letter	Distance from fireplace opening	Distance from finished wall
A	19 ¾"	12"
B	19 ¾"	10"
C	18 ½"	8"
D	15 ¾"	6"

Fireplace framing can be built before or after the fireplace is set in place. Framing should be positioned to accommodate wall covering and fireplace facing material. **The fireplace framing should be constructed of 2 x 4 lumber or metal studs.**

#### CAUTION



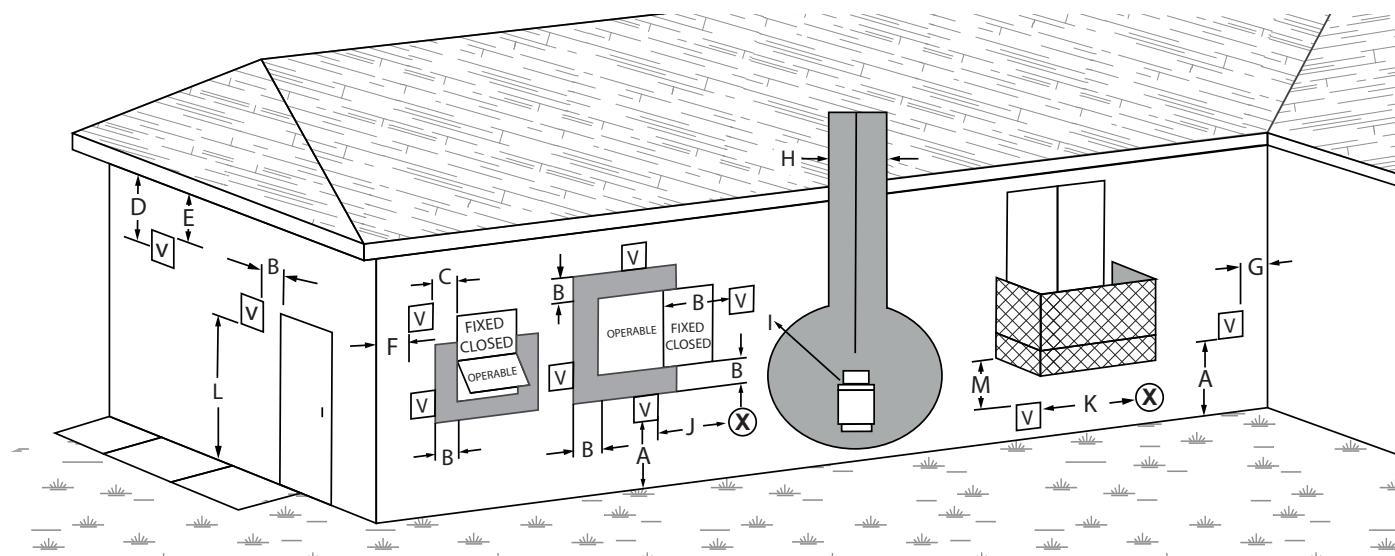
Measure fireplace dimensions and verify framing methods, and wall covering details before framing construction begins.

#### WARNING



If the fireplace is installed directly on carpeting, tile or other combustible material other than wood flooring, it should be installed on a metal or wood panel extending the full width and depth of the fireplace.





**V** VENT TERMINAL

**X** AIR SUPPLY INLET

**■** AREA WHERE TERMINAL IS NOT PERMITTED

	DESCRIPTION	CANADA <sup>1</sup>	UNITED STATES <sup>2</sup>
A	Clearance above grade, veranda, porch, deck, or balcony	12 in (30 cm)	12 in (30 cm)
B	Clearance to window or door that may be open	6 in (15 cm) for appliances ≤ 10,000 Btuh (3 kW), 12 in (30 cm) for appliances > 10,000 Btuh (3 kW) and ≤ 100,000 Btuh (30 kW), 36 in (91 cm) for appliances > 100,000 Btuh (30 kW)	6 in (15 cm) for appliances ≤ 10,000 Btuh (3 kW), 9 in (23 cm) for appliances > 10,000 Btuh (3 kW) and ≤ 50,000 Btuh (15 kW), 12 in (30 cm) for appliances > 50,000 Btuh (15 kW)
C	Clearance to permanently closed window	12 in (30 cm)	12 in (30 cm)
D	Vertical clearance ventilated soffit located above the terminal within a clearance to permanently closed window	24 in (61 cm)	24 in (61 cm)
E	Clearances to unventilated soffit	12 in (30 cm)	12 in (30 cm)
F	Clearance to outside corner	6 in (15 cm)	6 in (15 cm)
G	Clearance to inside corner	9 in (23 cm)	9 in (23 cm)
H	Clearance to each side of center line extended above meter/regulator assembly	3 ft (91 cm) within a height 15 ft (4.5 m) above the meter/regulator assembly	3 ft (91 cm)
I	Clearance to service regulator vent outlet	3 ft (91 cm)	6 ft (1.83 m)
J	Clearance to nonmechanical air supply inlet to the building or the combustion air inlet to any other appliance	6 in (15 cm) for appliances ≤ 10,000 Btuh (3 kW), 12 in (30 cm) for appliances > 10,000 Btuh (3 kW) and ≤ 100,000 Btuh (30 kW), 36 in (91 cm) for appliances > 100,000 Btuh (30 kW)	6 in (15 cm) for appliances ≤ 10,000 Btuh (3 kW), 9 in (23 cm) for appliances > 10,000 Btuh (3 kW) and ≤ 50,000 Btuh (15 kW), 12 in (30 cm) for appliances > 50,000 Btuh (15 kW)
K	Clearance to a mechanical air supply inlet	6 ft (1.83 m)	3 ft (91 cm) above if within 10 ft (3 m) horizontally
L	Clearance above paved sidewalk or paved driveway located on public property	7 ft (2.13 m) <sup>3</sup>	7 ft (2.13 m) <sup>4</sup>
M	Clearance under veranda, porch, deck, or balcony	12 in (30 cm) <sup>4</sup>	12 in (30 cm)

<sup>1</sup> In accordance with the current CSA B149.1, Natural Gas and Propane Installation Code

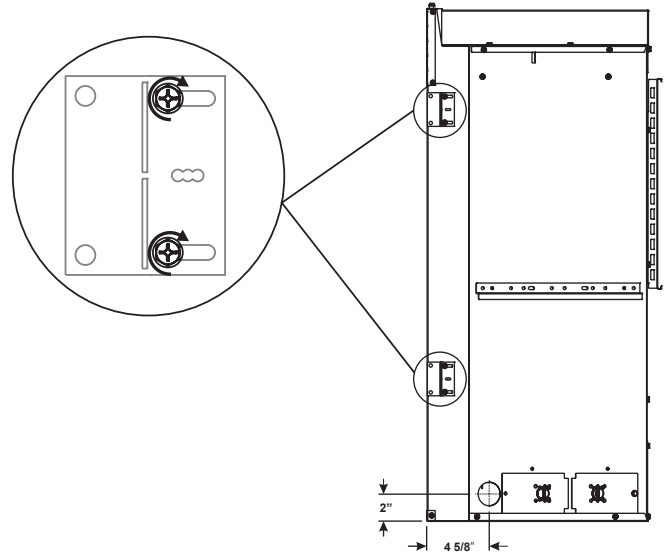
<sup>2</sup> In accordance with the current ANSI Z223.1/NFPA 54, National Fuel Gas Code

<sup>3</sup> A vent shall not terminate directly above a sidewalk or paved driveway that is located between two single family dwellings and serves both dwellings.

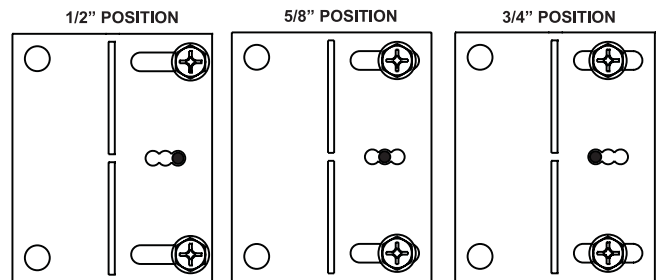
<sup>4</sup> Permitted only if veranda, porch, deck, or balcony is fully open on a minimum of two sides beneath the floor.

### 3.3.2 Fireplace installation

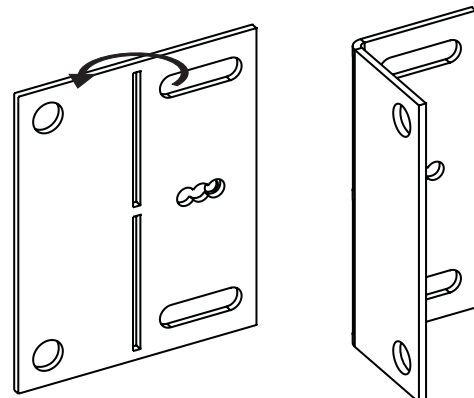
1. Choose fireplace location.
2. Frame in fireplace with a header across the top. It is important to allow for finished face when setting the depth of the frame.
3. Attach fireplace to frame using adjustable frame. Preset depth to suit facing material (adjustable to 1/2 inch, 5/8 inch or 3/4 inch depths).
4. Loosen but do not remove the eight screws securing the nailing flanges to the firebox.



5. Measure from face of fireplace to face of drywall strip to determine final depth and adjust nailing flanges as shown.



6. Tighten the eight screws loosened in step 4.
7. Bend the nailing flanges 90 degrees as shown.

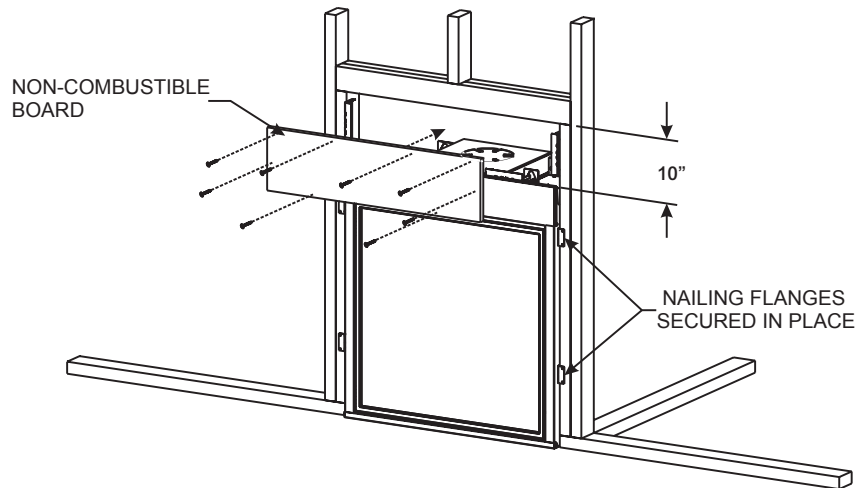
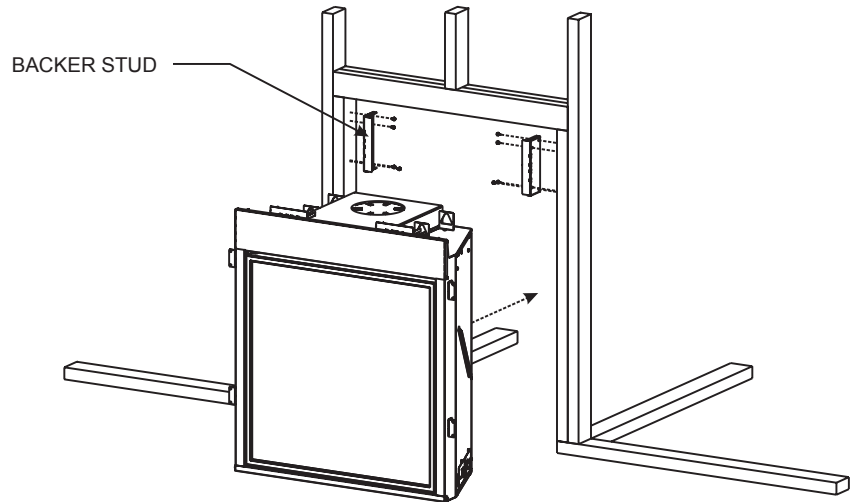
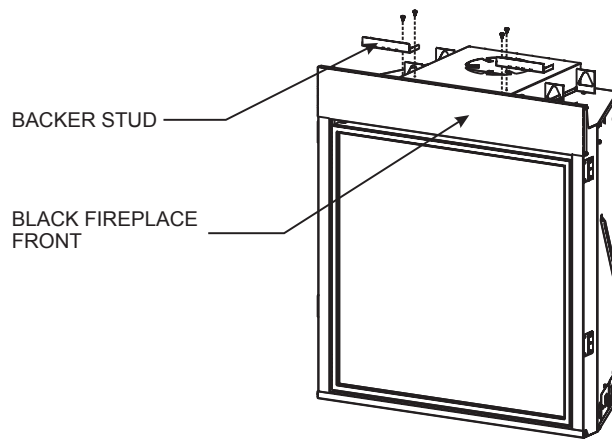


8. Attach the two backer studs to the firebox with four #10 x 1/2" Phillips screws (provided) as shown.

9. Attach the two backer studs to the vertical studs with four screws appropriate for installation (not provided) as shown.

10. Slide unit into position and secure to the enclosure with nailing flanges.

11. Mark non-combustible board for backer stud locations. Position the non-combustible board and secure with four #8 x 1" selfdrilling drywall screws (not provided) as shown. Four screws appropriate for installation (not provided) screw into the header. To avoid damage to the non-combustible board, do not use more screws.



### 3.4 Finishing

#### Use Non-Combustible materials where indicated for the fireplace installation.

*Non-combustible materials do not ignite or burn as a result of using the fireplace. These include metal, brick, ceramic, concrete, slate, glass and plaster. Adhesives must be rated for high temperatures. Any mechanical fasteners used to install material must also be non-combustible, including wall anchors and tile spacers. Materials that pass the ASTM E 136 test (Standard Test Method for Behavior of Materials in a Vertical Tube Furnace at 750C) are considered non-combustible.*

- Frame unit with metal studs (minimum 20 gauge). Wooden studs may be used, but may cause drywall screws to pop or pull due to wood studs drying out.
- Use fiberglass (mesh) tape for all joints in area of the fireplace.
- Use Yellow joint mud (contains high amounts of glue) – two coats, finishing with one coat of green topping mud, sand and prep for painting.
- When using paint or lacquer to finish the mantel, the paint or lacquer must be heat resistant to prevent discoloration
- A full single sheet of non-combustible board (no joints) above the unit is recommended if possible.
- It is preferred to attach the non-combustible board to framing only and not directly to the unit to allow for expansion and contraction during normal operation.
- Lighter colored painted surfaces may discolor due to heat exposure.

Finish the walls with the material of your choice. Only non-combustible materials may be used to cover the black fireplace front.

#### WARNING



**When finishing the fireplace never obstruct or modify the air inlet/outlet louvers in any manner. Provide adequate clearances around air openings into the combustion chamber.**

#### CAUTION



**If the joints between the finished wall and the fireplace surround (top and sides) are sealed, a 300 °F minimum sealant material must be used. These joints are not required to be sealed. Only non-combustible material (using 300°F minimum adhesive if needed), can be applied as facing to the fireplace surround.**

## WARNING



**Only trim kits(s) supplied by the manufacturer shall be used in the installation of this appliance.**

## WARNING



**Draft relief openings must not be covered or blocked.**

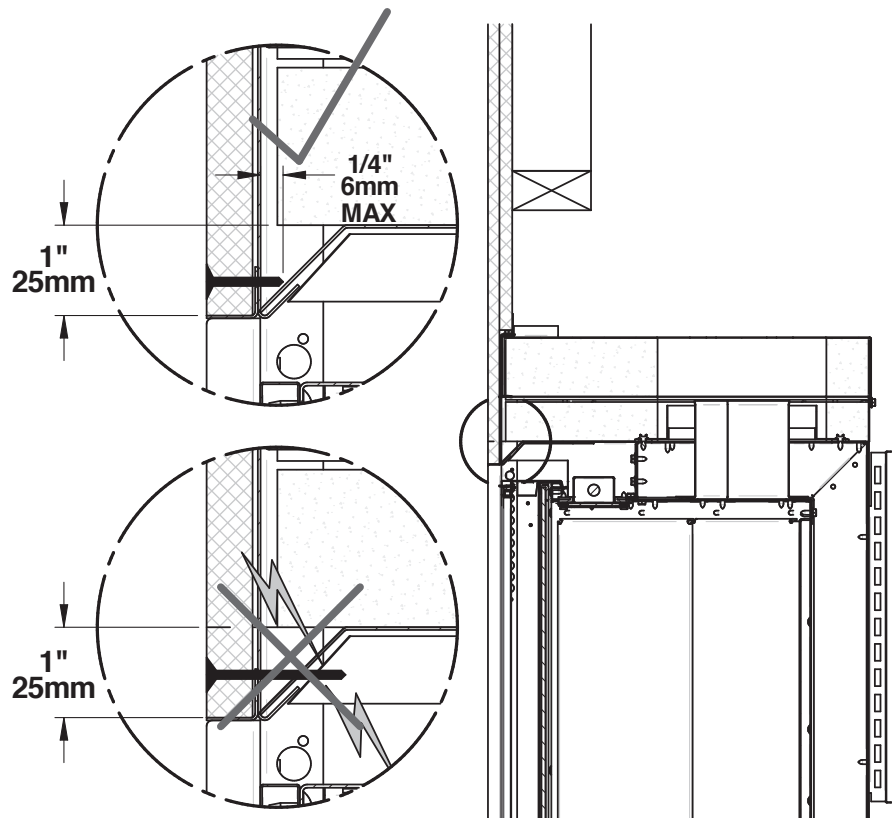
### 3.5 Installing a television above a fireplace

Installing a television above a fireplace has become increasingly popular; however, the area above any fireplace gets hot and most TV manufacturers recommend against placing their products near a heat source. If you install a television above this fireplace, SBI accepts no responsibility for damage or injuries.

Follow the television manufacturer's installation instructions, including any recommendations regarding proximity to heat sources.

If you have a TV above your fireplace, turn off the fireplace and let it cool completely before servicing or touching any buttons on the TV.

**Do not drive excessively long screws into the face of the unit as internal parts may be damaged.**



# 4. Venting installation

## 4.1 General

Select horizontal or vertical. Determine Path and Exit Location

### 4.1.1 Vent Graph

1. Determine the height of the center of the horizontal vent pipe. Using this dimension on the Sidewall Vent Graph, locate the point it intersects with the slanted graph line.
2. From the point of this intersection, draw a vertical line to the bottom of the graph.
3. Select the indicated dimension, and position the fireplace in accordance with same.

**EXAMPLE A:**

If the vertical dimension from the floor of the fireplace to the center of the termination is 35 feet, the horizontal run to the outer wall flange must not exceed 6.5 feet.

**EXAMPLE B:**

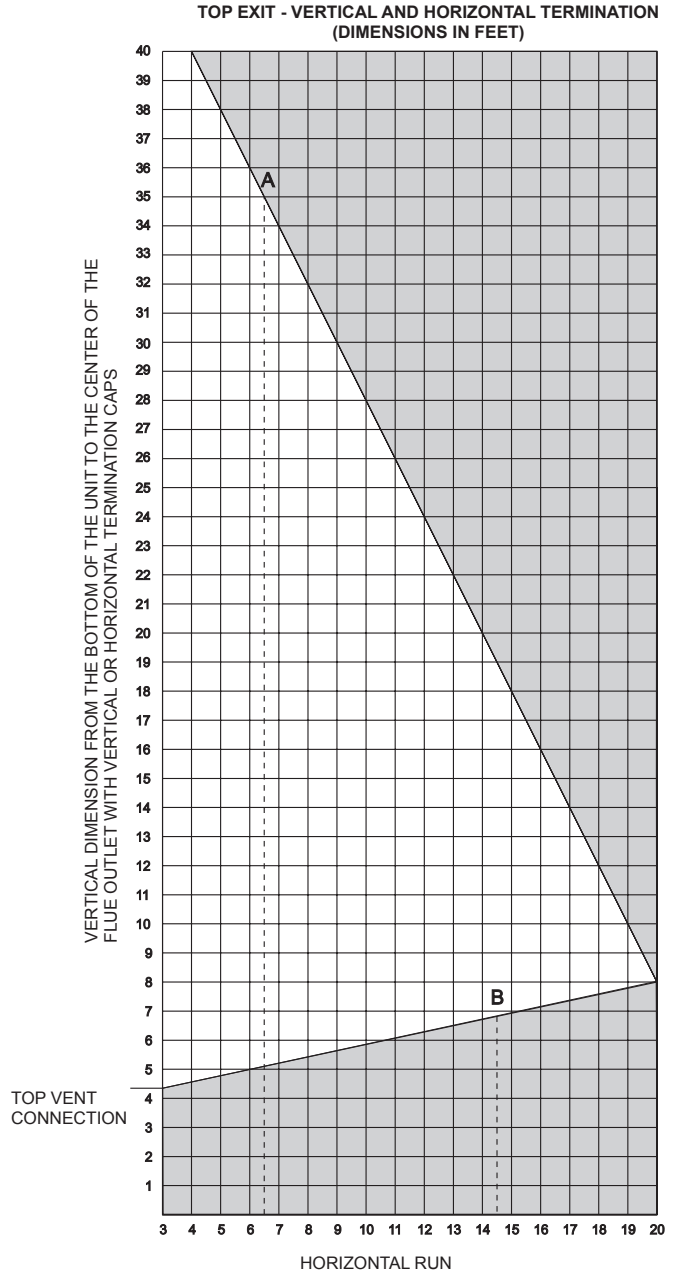
If the vertical dimension from the floor of the fireplace to the center of termination is 6.5 feet, the horizontal run to the outer wall flange must not exceed 14.5 feet.

**SPECIAL NOTE:** For each 45° elbow installed in the horizontal run, the length of the horizontal run **MUST** be reduced by 18 inches. Reduce by 3 feet for every 90° elbow. This does not apply if the 45° elbows are installed on the vertical part of the vent system.

**Example:** According to the chart the maximum horizontal vent length is 20 feet and if two 45° elbows are required in the horizontal vent it must be reduced to 17 feet.

The maximum number of 45° elbows permitted per side wall installation is two. These elbows can be installed in either the vertical or horizontal run.

The maximum number of 90° elbows in a vent run is three.




- Acceptable vertical and horizontal vent run. (40' maximum vertical and 20' maximum horizontal)
- Unacceptable vertical and horizontal vent run. See Examples A and B.

**Information on Various Venting Routes and Components Important:** It is always best to locate the fireplace in such a way that minimizes the number of offsets and horizontal vent length. Since it is very important that the venting system maintain its balance between the combustion air intake and the flue gas exhaust, certain limitations as to vent configurations apply and must be strictly adhered to.

The graph showing the relationship between vertical and horizontal side wall venting will help to determine the various vent lengths allowable. The horizontal vent run refers to the total length of vent pipe from the flue collar of the fireplace to the face of the outer wall. Venting termination shall not be recessed into wall or siding.

WARNING	
	<b>When an existing gas fireplace heater is removed or replaced, the original venting system may no longer be sized to properly vent the attached appliances.</b>

## 4.2 Vent Restrictor

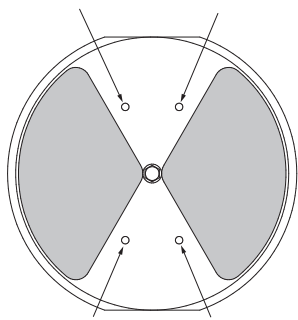
WARNING	
	<b>Use Restrictor for vertically terminated fireplace systems that are a minimum of 10 feet vertical, and do not include offsets or horizontal vent runs. Do not use with horizontally terminated fireplaces.</b>

Following figures show the location and recommended opening for the flue restrictor.

### 4.2.1 Installation of restrictor before venting is attached.

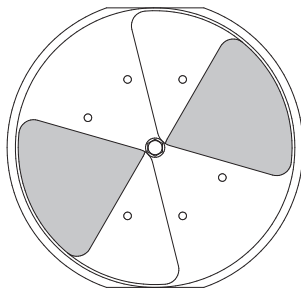
The restrictor can be installed either from the inside or the outside of the fireplace before assembling the venting system.

**NOTICE: When installing flue restrictor, install with screw pointing downward.**

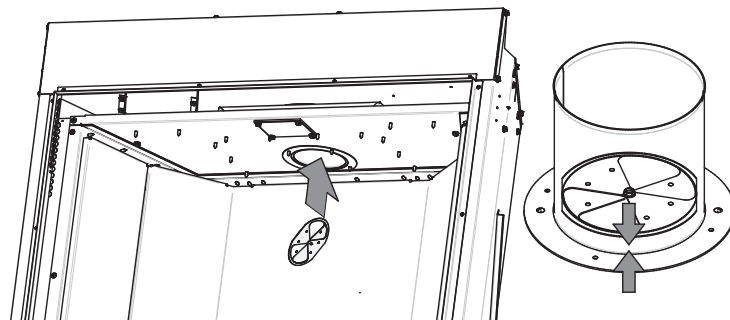
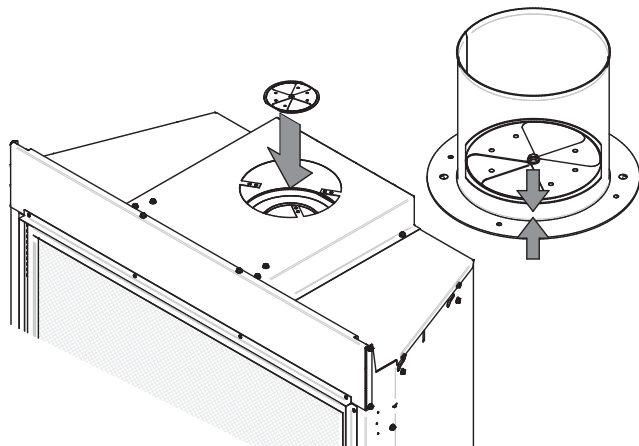


Propane

Four indicated holes aligned = Full open

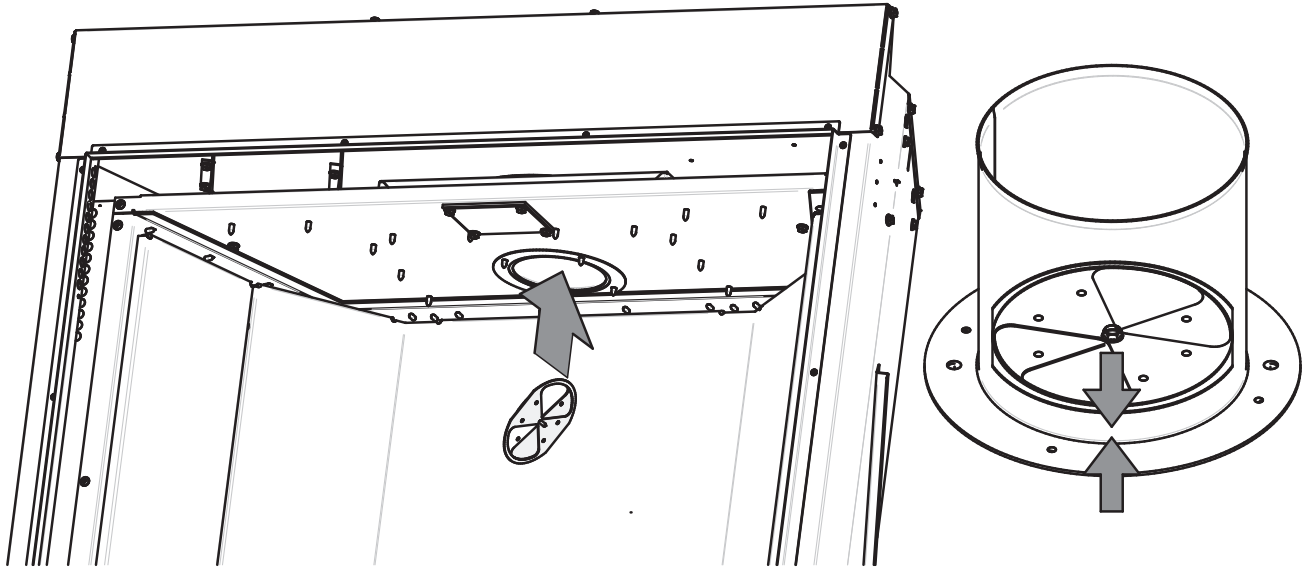


Natural  
six visible holes



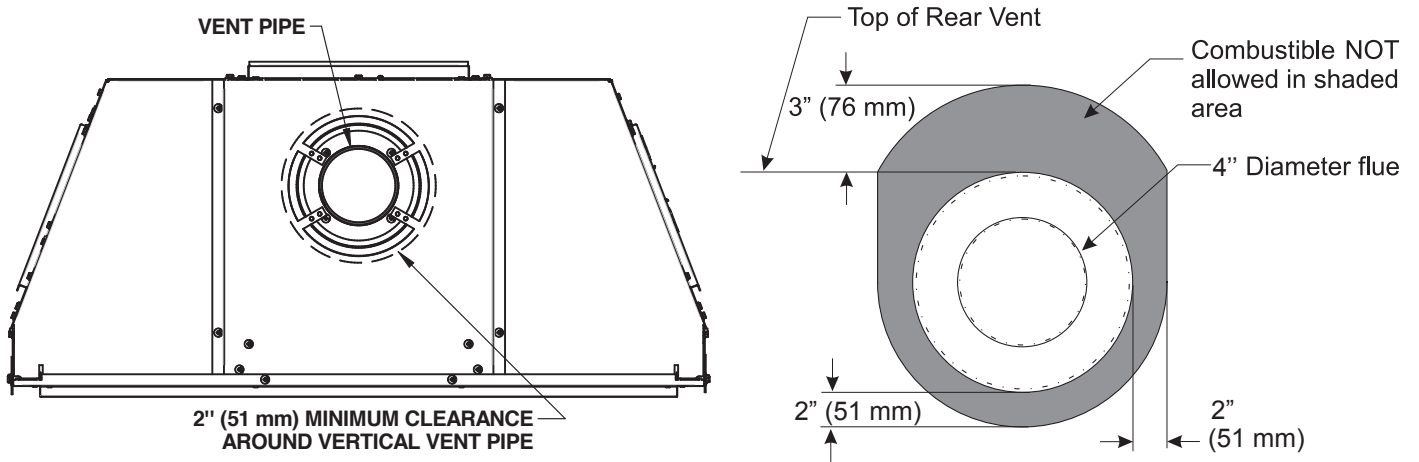
#### 4.2.2 For installation of the restrictor after the venting is installed

1. Insert the restrictor up into the flue collar and position it as shown.



#### 4.3 Clearance to Combustibles

**NOTICE:** Maintain two inches (2") of clearance around vertical vent pipe. For horizontal vent, maintain a minimum 2 inches clearance to the bottom and sides of the vent, and 3 inch clearance to combustibles above the vent pipe.





## 4.4 Termination Vent System

### WARNING



Gas appliance must not be connected to a chimney flue serving a separate solid-fuel burning appliance.

**NOTICE:** All outer connection joints must be sealed with aluminum tape, screws or silicone sealant rated above 300°F/149°C. The inner flue joints do not require any sealant.

### 4.4.1 Vertical Straight Installation

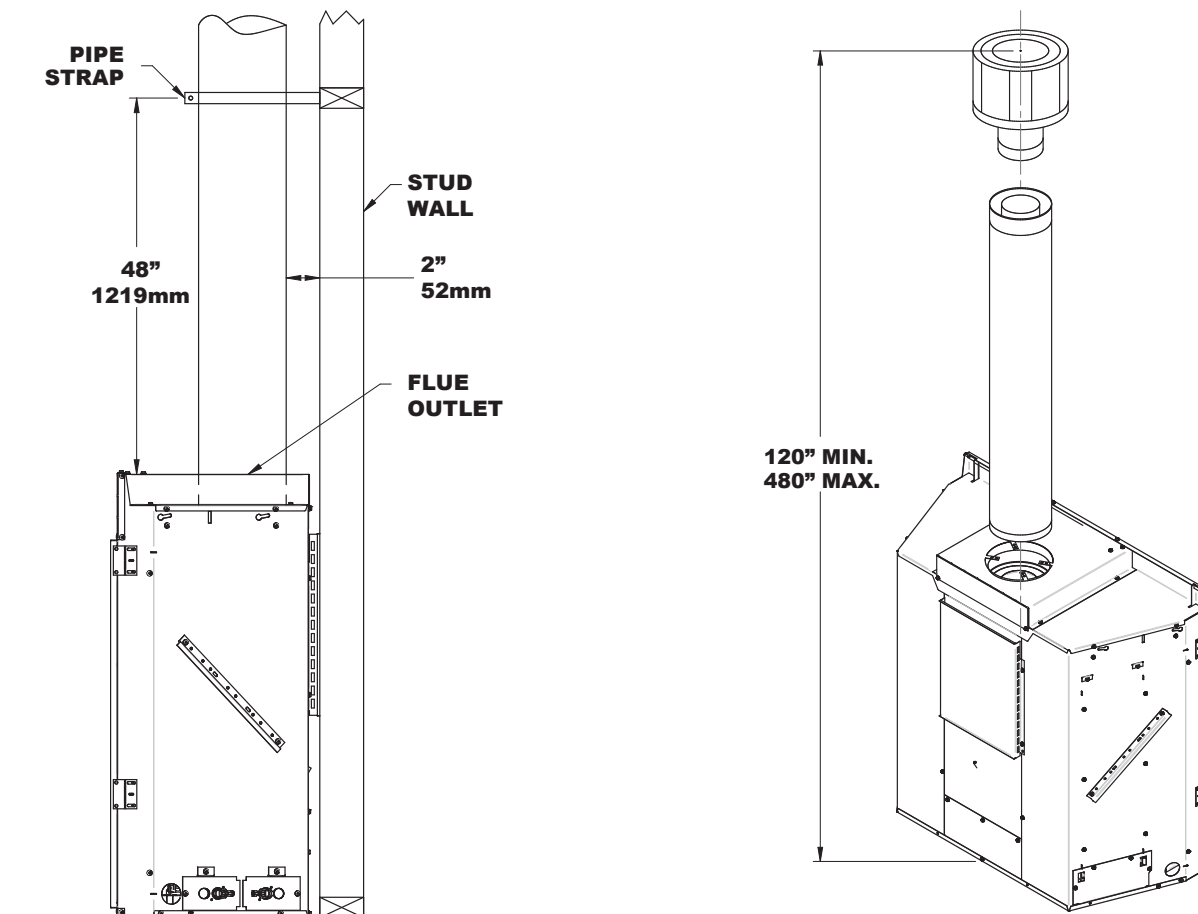
Your gas fireplace has been approved for:

- A) Vertical installations up to 40 feet in height.
- B) Two sets of 45 degree elbow offsets within these vertical installations. From 0 to a maximum of 8 ft. a vent pipe can be used between elbows.
- C) Wall straps must be used to support offset pipe every 4'.

This application will require that you first determine the roof pitch and use the appropriate venting components.

Support vertical runs of this vent system every 4 feet using wall brackets attached to the vent pipe, then secured with nails or screws to structural framing.

### NO ELBOW

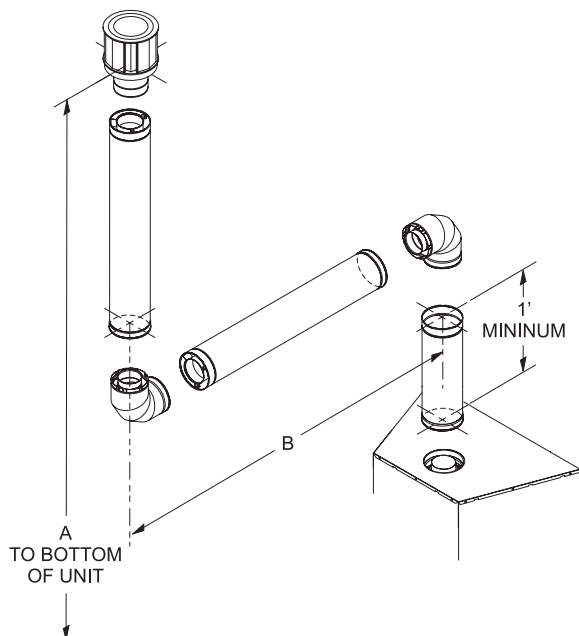


## 4.4.2 Vertical installation

Install a horizontal pipe support used for each 3 feet of horizontal run to framing parts. Allow 3 inch clearance to combustibles above 8 inch diameter pipe and elbows, and 2 inch clearance to both sides and bottom.

Support vertical runs of this vent system every 4 feet using wall brackets attached to the vent pipe, then secured with nails or screws to structural framing. Slope upwards not less than 1/4 in/ft (21 mm/m) from the appliance to the vent terminal.

VENTING  
VERTICAL INSTALLATION



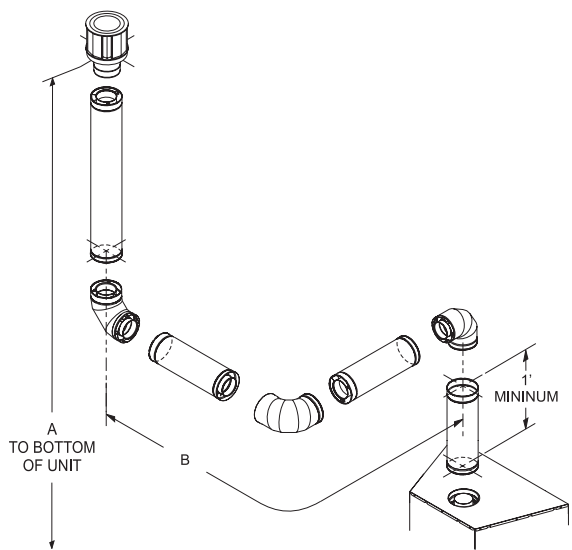
### TWO 90° ELBOWS

Example Vent Runs		
Initial Pipe Length	A (Vertical)	B (Horizontal) Maximum
(Dimensions In Inches)		
12	96 (8 ft)	240 (20 ft)
24	96 (8 ft)	240 (20 ft)
36	96 (8 ft)	240 (20 ft)
48	96 (8 ft)	240 (20 ft)

\*Maximum horizontal run is 100% of vertical, but cannot exceed 20 feet.

Minimum rise of the fireplace is 1 foot.

### THREE 90° ELBOWS



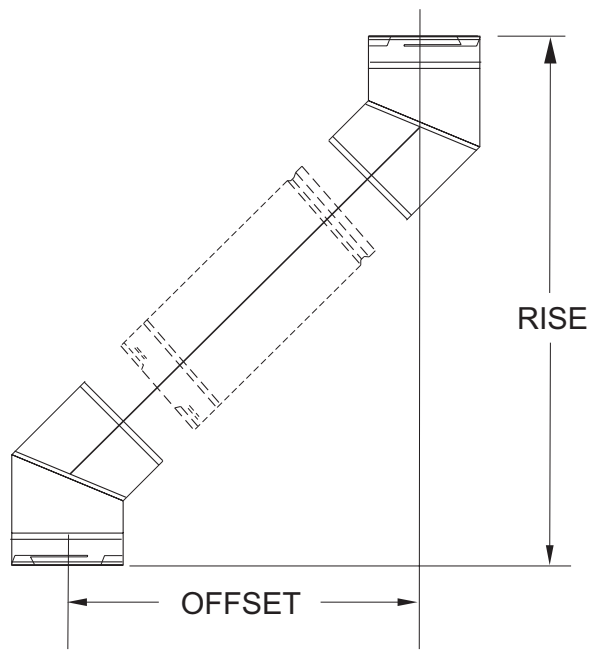
Example Vent Runs		
Initial Pipe Length	A (Vertical)	B (Horizontal) Maximum
(Dimensions In Inches)		
12	90 (7 ft, 6 in)	204 (17 ft)
24	90 (7 ft, 6 in)	204 (17 ft)
36	90 (7 ft, 6 in)	204 (17 ft)
48	90 (7 ft, 6 in)	204 (17 ft)

\*Maximum horizontal run is 100% of vertical, but cannot exceed 17 feet.

Minimum rise of the fireplace is 1 foot.

ENGLISH

### 4.4.3 Offset Chart



Size		4 in X 6 5/8 in	
Elbow Degrees	Chimney Section	Offset Inches	Rise Inches
45°	0	4-7/8	13-3/8
45°	6	8	16-1/2
45°	9	10-1/8	18-5/8
45°	12	12-1/4	20-3/4
45°	24	20-5/8	29-1/8
45°	36	29	37-1/2
45°	36	29	37-1/2
45°	48	37-3/8	45-7/8

### 4.4.4 Vertical Firestops

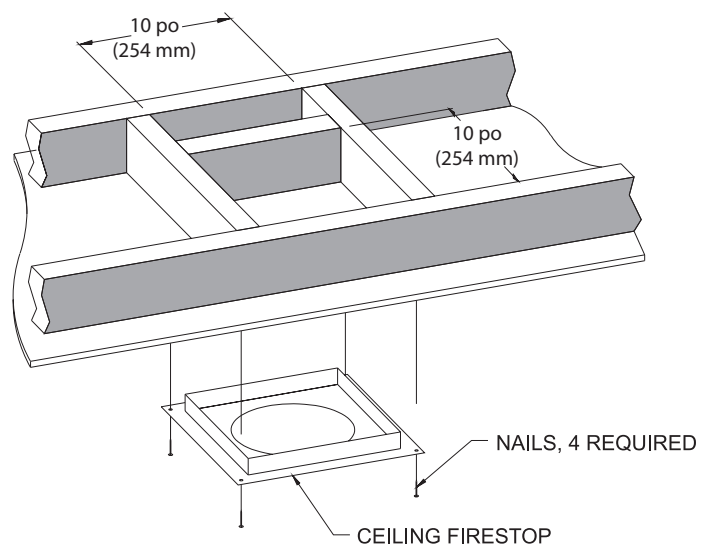
Firestops are required for safety whenever the vent system passes through an interior wall, an exterior wall, or a ceiling. These firestops act as a firebreak heat shield and as a mean to insure that minimum clearances are maintained to the vent system.

Vertical runs of this system which pass through ceilings require the use of ONE ceiling firestop at the hole in each ceiling through which the vent passes.

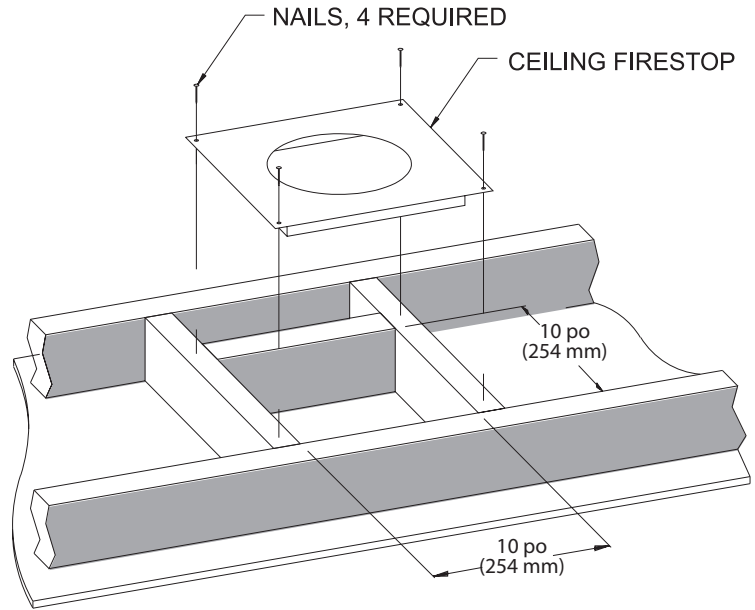
Position a plumb bob directly over the center of the vertical vent component and mark the ceiling to establish the center point of the vent. Drill a hole or drive a nail through this center point and check the floor above for any obstructions such as wiring or plumbing runs.

Reposition the fireplace and vent system, if necessary, to accommodate ceiling joists or obstructions. Cut a 10 inch x 10 inch hole through the ceiling, using the center point previously marked. Frame the hole with framing lumber the same size as the ceiling joists.

If the area above the ceiling is NOT an attic, position and secure the ceiling firestop on the ceiling side of the previously cut and framed hole.



If the area above the ceiling is an attic, position and secure the firestop on top of the previously framed hole.



**NOTE:** Remove insulation from the framed area in the attic before installing the firestop and/or vent pipes.

Locate and mark the center point of the vent pipe using a nail on the underside of the roof. Drive the nail through the center point. Mark the outline of the roof hole around this center point.

**NOTICE:** *Size of the roof hole dimensions depend on the pitch of the roof. There must be a 2 inch (50 mm) clearance to the vertical pipe sections. This clearance is to all combustible material.*

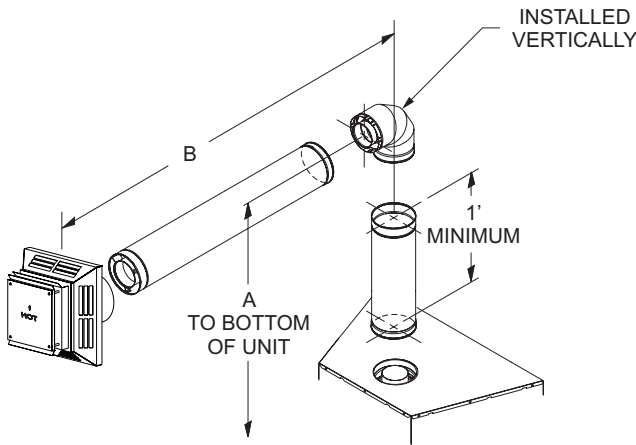
Cover the opening of the vent pipe and cut and frame the roof hole. Use framing lumber the same size as the roof rafters and install the frame securely. Flashing anchored to frame must withstand high winds. The storm collar is placed over this joint to make a water-tight seal. Non-hardening sealant should be used to completely seal this flashing installation.

#### 4.4.5 Top Vent Horizontal Termination

Install a horizontal pipe support used for each 3 feet of horizontal run to framing parts. Allow 3 inch clearance to combustibles above 8 inch diameter pipe and elbows, and 2 inch clearance to both sides and bottom.

Support vertical runs of this vent system every 4 feet using wall brackets attached to the vent pipe, then secured with nails or screws to structural framing. Slope upwards not less than 1/4 in/ft (21 mm/m) from the appliance to the vent terminal.

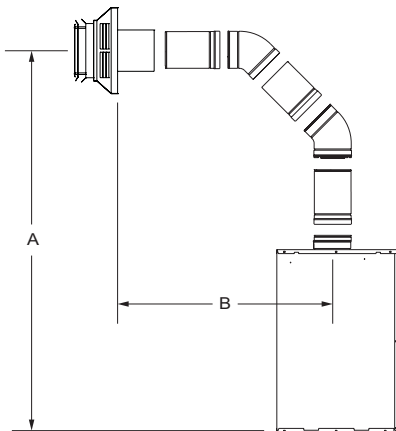
#### ONE 90° ELBOW



Example Vent Runs		
Initial Pipe Length	A (Vertical)	B (Horizontal) Maximum
(Dimensions In Inches)		
12	180 (15 ft)	144 (12 ft)
24	72	72 (6 ft)
36	84	108 (9 ft)
48	96	144 (12 ft)

**Note:** Pipe straps must be used every 2 feet to secure venting. Minimum rise of the fireplace is 1 foot.

#### TWO 45° ELBOWS

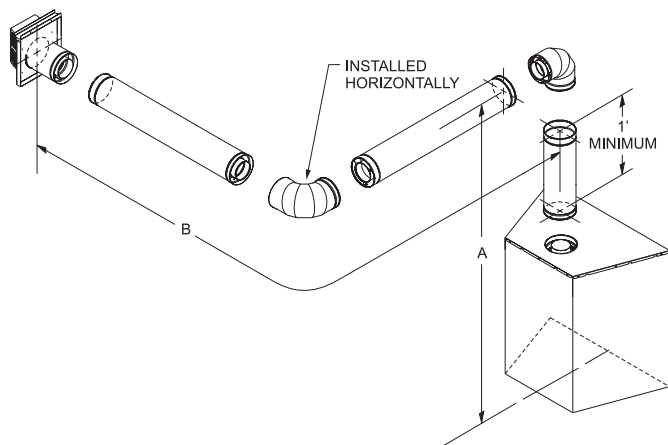


Example Vent Runs		
Initial Pipe Length	A (Vertical)	B (Horizontal) Maximum
(Dimensions In Inches)		
12	72	72 (6 ft)
24	84	108 (9 ft)
36	96	144 (12 ft)
48	108	180 (15 ft)

Minimum rise of the fireplace is 1 foot.

## TWO 90° ELBOWS

**Note:** Subtract 3 feet from the total horizontal measurement for each 90° elbow installed horizontally. Subtract 1-1/2 feet from the total horizontal measurement for each 45° elbow installed horizontally.

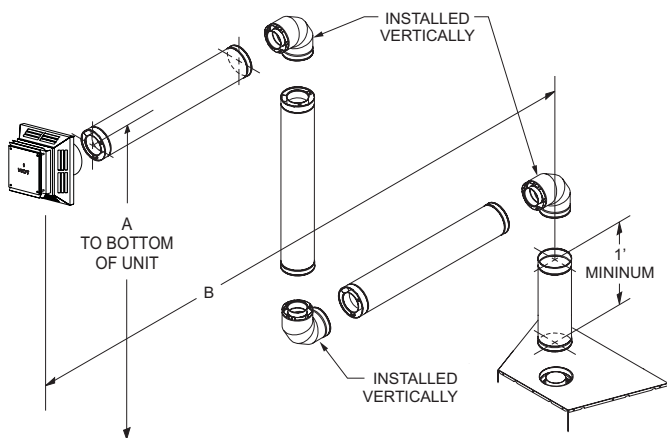


Example Vent Runs		
Initial Pipe Length	A (Vertical)	B (Horizontal) Maximum
(Dimensions In Inches)		
12	60	Not allowed
24	72	36 (3 ft)
36	84	72 (6 ft)
48	96	108 (9 ft)

Minimum rise of the fireplace is 1 foot.

## THREE 90° ELBOWS

**Note:** Subtract 3 feet from the total horizontal measurement for each 90° elbow installed horizontally. Subtract 1-1/2 feet from the total horizontal measurement for each 45° elbow installed horizontally.



Example Vent Runs		
Initial Pipe Length	A (Vertical)	B (Horizontal) Maximum
(Dimensions In Inches)		
12	60	Not allowed
24	72	72 (6 ft)
36	84	108 (9 ft)
48	96	114 (12 ft)

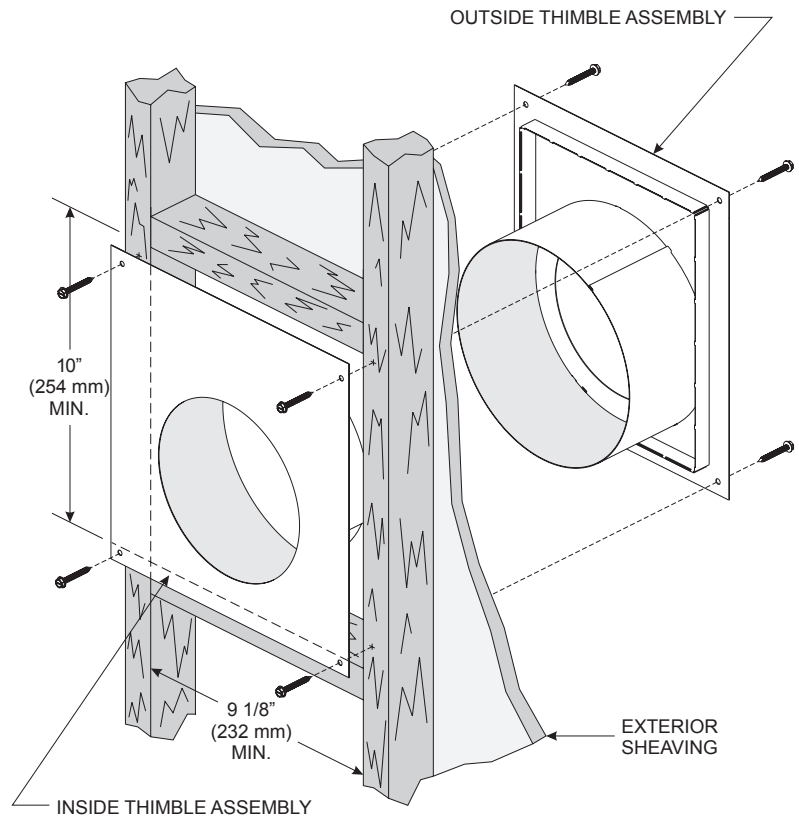
Minimum rise of the fireplace is 1 foot.

#### 4.4.6 Horizontal Firestops

Firestops are required for safety whenever the vent system passes through an interior wall, an exterior wall, or a ceiling. These firestops act as a firebreak heat shield and as a means to insure that minimum clearances are maintained to the vent system.

Horizontal runs in the vent system which pass through either interior or exterior walls, require the use of wall firestops on both sides of the wall through which the vent passes.

Position the firestops on both sides of the framed hole, previously cut. Secure firestop with nails or screws. Continue the vent run through the firestops.

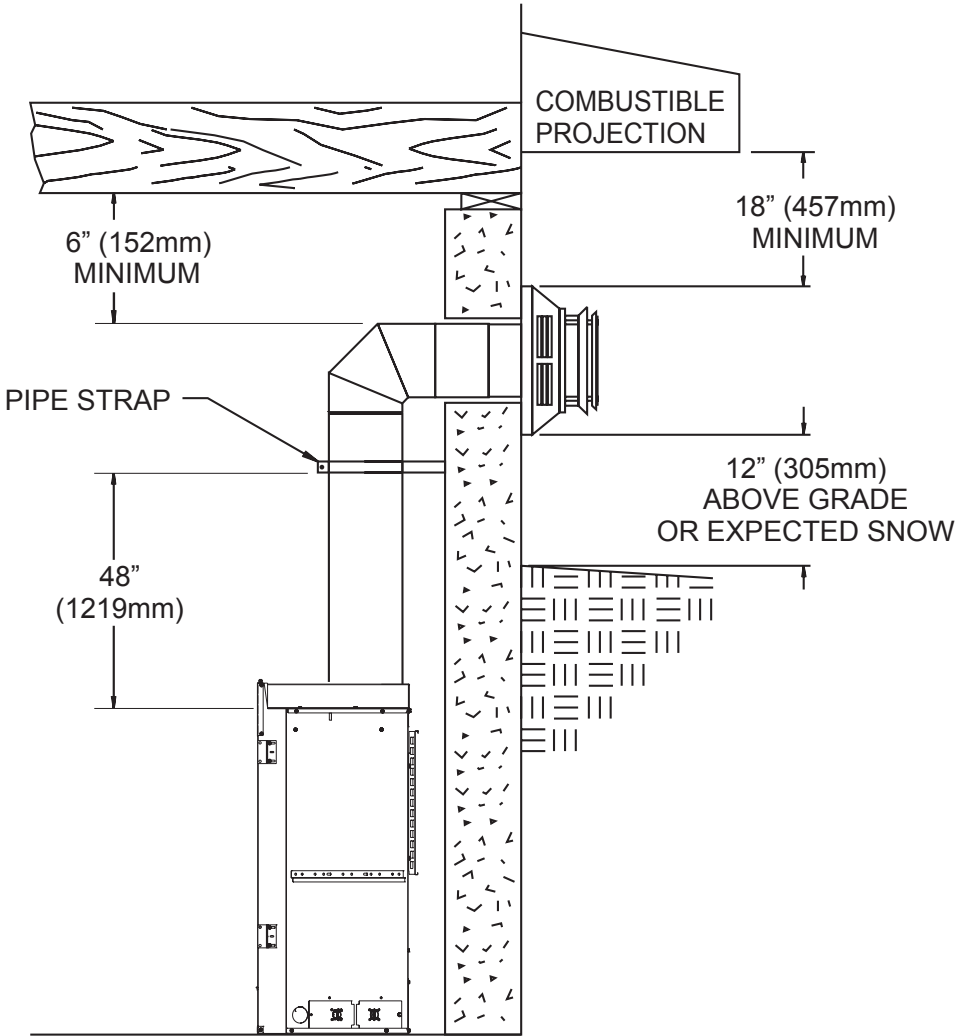


#### 4.4.7 Below Grade Installation

When it is not possible to meet the required vent termination clearances of 12 inch (305 mm) above grade level, a snorkel kit is recommended. It allows installation depth down to 7 inch (178 mm) below grade level. The 7 inch (178 mm) is measured from the center of the horizontal vent pipe as it penetrates through the wall.

Ensure the sidewall venting clearances are observed. If venting system is installed below ground, we recommend a window well with adequate and proper drainage to be installed around the termination area.

4.4.8 Typical Basement Installation



FRAMING

ENGLISH

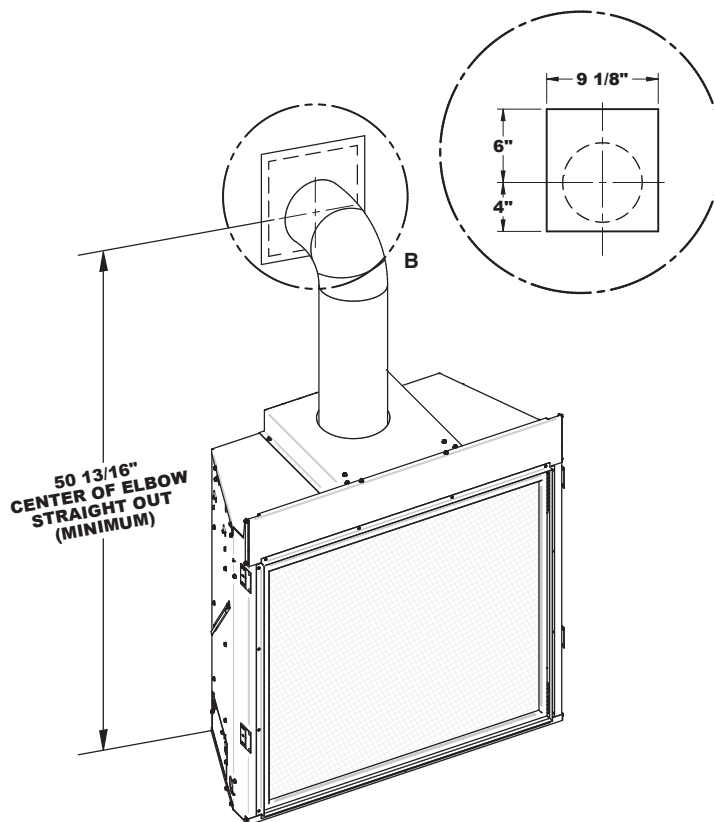


## 4.5 Framing

### 4.5.1 Positioning the Fireplace

Determine the exact position of the fireplace so the direct-vent termination will be centered (if possible) between two studs.

This will avoid any extra framing. All vent kit pipes should be assembled on the fireplace after the fireplace is moved into the final position.

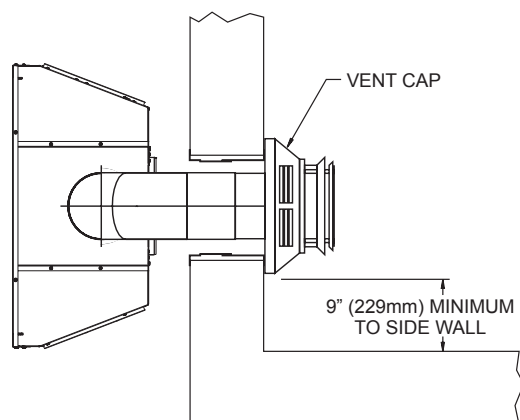


### 4.5.2 Cutting the Hole

After the fireplace has been positioned in its permanent location, the hole through the exterior wall can be cut.

This hole must be 10 in (254 mm) high x  $9 \frac{1}{8}$  in (232 mm) wide with its center line determined by the amount of vertical rise and horizontal run of the termination.

When locating the hole it must be noted that the bottom of the cap must be minimum of 12 in (305 mm) above the ground level, and top of the cap must be no less than 18 in (457 mm) below a combustible projection, and no closer than 9 in (229 mm) to any wall running parallel to vent termination.

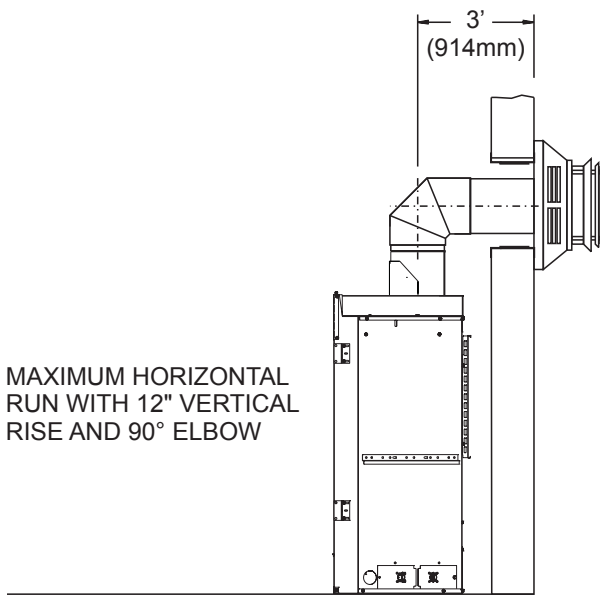


### 4.5.3 Vent Runs

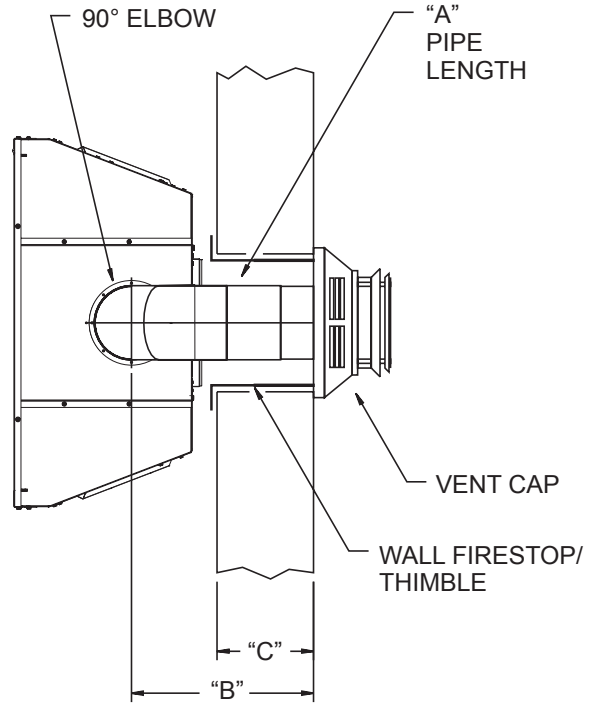
When planning the installation for the fireplace, it is necessary to install certain components before the fireplace is completely positioned and installed. These include the direct vent system, gas piping and electrical wiring.

VENTING

#### Vertical 90° Elbow With Horizontal Termination



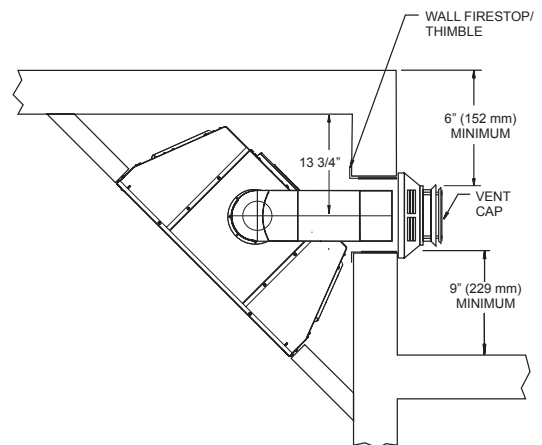
#### Vertical 90° Elbow To Horizontal Out The Wall



A	B	C
6 in	11-1/4 to 12-3/4 in	4-3/4 to 6-1/4 in
9 in	14-1/4 in to 15-3/4 in	7-3/4 po to 9-1/4 in
12 in	17-1/4 in to 18-3/4 in	10-3/4 in to 12-1/4 in

ENGLISH

#### Corner Installation Vertical, 90° Elbow To Horizontal Out The Wall

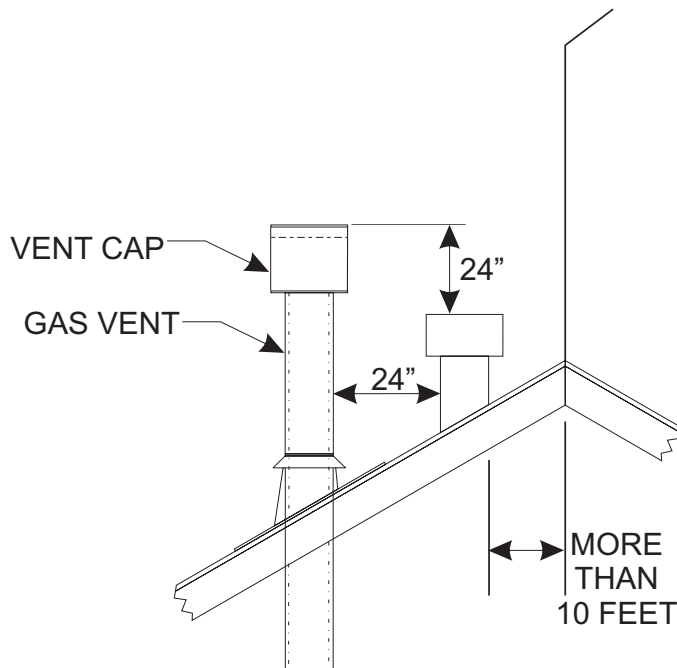


## 4.6 Minimum Vent Height Above the Roof

### WARNING



**Building codes specify minimum chimney and vent height above the roof top. These minimum heights are necessary in the interest of safety.**



Note that for steep roof pitches, the vent height must be increased. In high wind conditions, nearby trees, adjoining roof lines, steep pitched roofs, and other similar factors can result in poor draft, or down-drafting. In these cases, increasing the vent height may solve this problem.

VENTING

## 4.7 Installing the Vent System in a Chase

A chase is a vertical box-like structure built to enclose the gas fireplace and its vent system. Vertical vent runs on the outside of a building may be, but are not required to be installed inside a chase.

### CAUTION

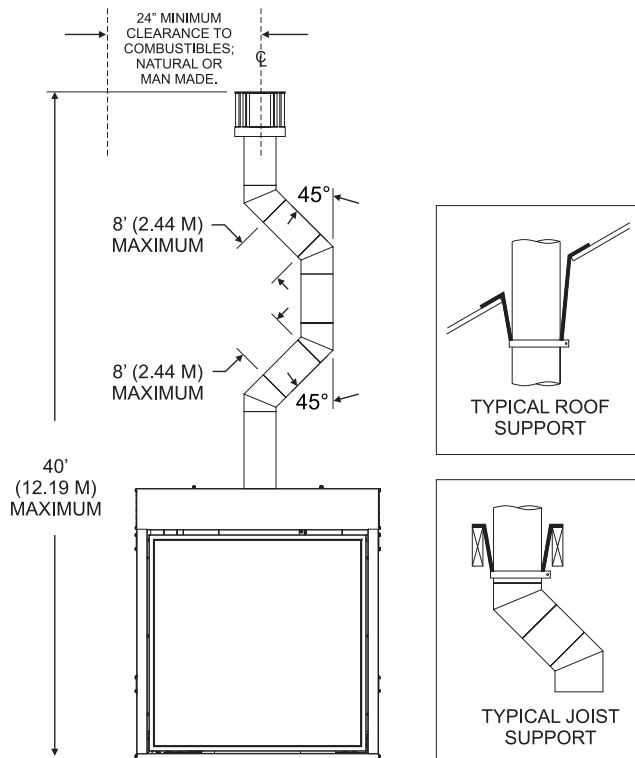


**Treatment of firestop spacers and construction of the chase may vary with the type of building. These instructions are not substitutes for the requirements of local building codes. Check local building codes to determine the requirements for these steps.**

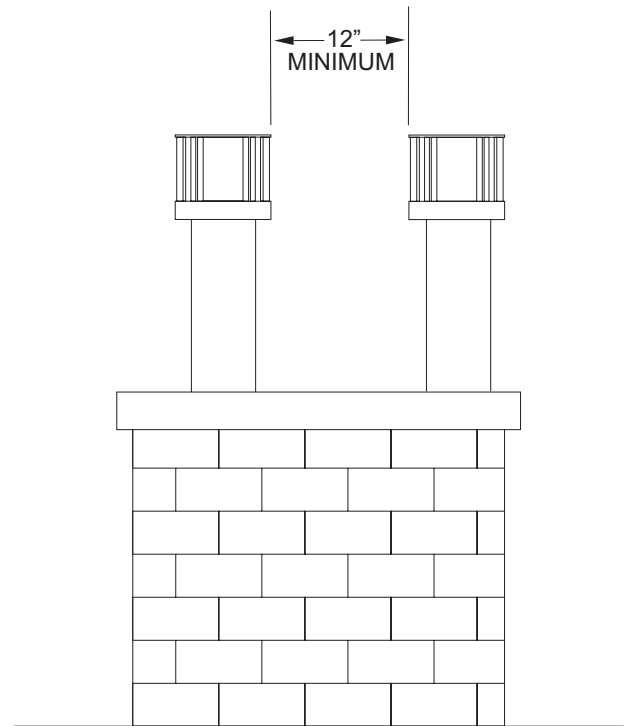
**NOTICE:** Build the chase large enough to maintain the minimum clearance of combustible materials (including insulation) to the vent system. When installing the vent system in a chase, insulate the chase as you would the outside walls of your home. This is especially important in cold climates. Upon completion of chase framing, install the vent system by following the instructions in this manual.

ENGLISH

The vertical termination cap for this fireplace must not be any closer than 24 in. to combustible materials.



If two vertical terminations are run near each other, they may be placed a minimum of 12 inches between them if they are at the same height. If two vent terminations are not at the same height, they must be positioned at least 24 inches apart to minimize draft issues between them.



#### 4.7.1 Approved Venting Component

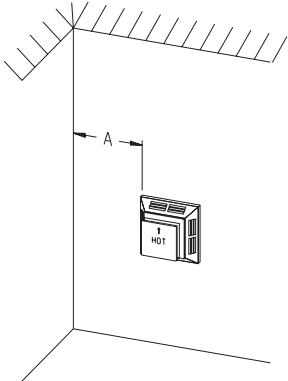
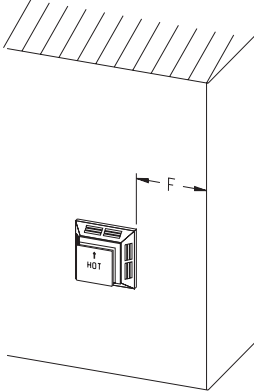
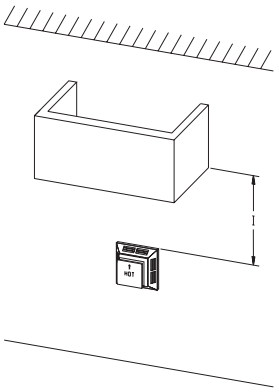
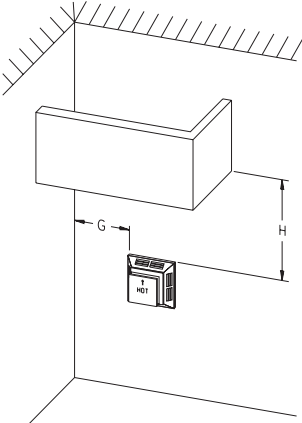
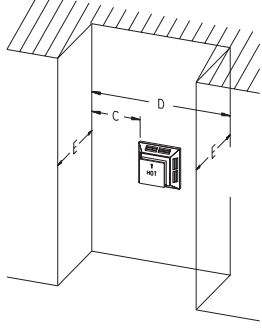
The following vent systems are acceptable for use with the S36 fireplace:

- Simpson Duravent® GS 4 in – 6-5/8 in
- American Metal Products 4 in – 6-5/8 in
- Selkirk Direct-Temp® 4 in – 6-5/8 in
- Security Secure Vent® 4 in – 6-5/8 in
- Duravent DVA-H2 4 in – 6-5/8 in
- Olympia Ventis 4 in – 6-5/8 in
- Metal Fab\* 4 in – 6-1/2 in

\*An adaptor is required for this venting system. Contact Metal Fab.

## 4.8 Termination Clearances

Termination clearance for buildings with combustible and non-combustible exteriors.

<p style="text-align: center;">INSIDE CORNER</p>  <p style="text-align: center;">"A" = COMBUSTIBLE 9" (229mm) = NONCOMBUSTIBLE 2" (51mm)</p>	<p style="text-align: center;">OUTSIDE CORNER</p>  <p style="text-align: center;">"F" = COMBUSTIBLE 6" (152mm) = NONCOMBUSTIBLE 6" (152mm)</p>	<p style="text-align: center;">BALCONY WITH NO SIDE WALL</p>  <p style="text-align: center;">"I" = COMBUSTIBLE 12" (457mm) = NONCOMBUSTIBLE 12" (305mm)</p>
	<p style="text-align: center;">BALCONY WITH PERPENDICULAR SIDE WALL</p>  <p style="text-align: center;">"G" = COMBUSTIBLE 9" (229mm) = NONCOMBUSTIBLE 2" (51mm)</p> <p style="text-align: center;">"H" = COMBUSTIBLE 18" (457mm) = NONCOMBUSTIBLE 12" (305mm)</p>	<p style="text-align: center;">RECESSED LOCATION</p>  <p style="text-align: center;">"C" = CLEARANCE FROM CORNER IN RECESSED LOCATION COMBUSTIBLE 9" (229mm) NONCOMBUSTIBLE 2" (51mm)</p> <p style="text-align: center;">"D" = MINIMUM WIDTH FOR BACK WALL OF A RECESSED LOCATION COMBUSTIBLE 38" (965mm) NONCOMBUSTIBLE 24" (610mm)</p> <p style="text-align: center;">"E" = MAXIMUM DEPTH OF 48" (1219mm) FOR RECESSED LOCATION</p>

### ATTENTION DISCLAIMER

#### Vinyl Soffit, Vinyl Ceiling, Vinyl Overhang

Clearances are to heat resistant material (i.e. wood, metal). This does not include vinyl. SBI will not be held responsible for heat damage caused from terminating under vinyl overhangs, vinyl ceilings or vinyl ventilated/unventilated soffits.

#### 4.8.1 Vertical Sidewall Installations

**Important!** When vent termination exits through foundation less than 20 inch (508 mm) below siding outcrop, the vent pipe must extend outward so that the horizontal vent termination is located flush to, or beyond the outcrop siding.

# 5. Gas Connections

## 5.1 Gas Supply

The gas pipeline can be brought in through the right side of the fireplace.

Consult the current National Fuel Gas Code, ANSI Z223.1 CAN/CGA-B149 (.1 or .2) installation code.

Recommended Gas Pipe Diameter				
Pipe Length (in feet)	Schedule 40 Pipe Inside Diameter		Tubing, Type L Outside Diameter	
	Natural	Propane	Natural	Propane
0-10	1/2"	3/8"	1/2"	3/8"
10-40	1/2"	1/2"	5/8"	1/2"
40-100	1/2"	1/2"	3/4"	1/2"
100-150	3/4"	1/2"	7/8"	3/4"

**NOTICE:** Never use plastic pipe. Check to confirm whether your local codes allow copper tubing or galvanized.

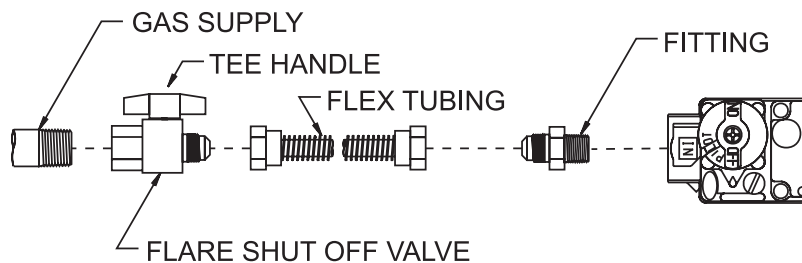
**NOTICE:** Since some municipalities have additional local codes, it is always best to consult your local authority and installation code.

The use of the following gas connectors is recommended:

- ANSI Z21.24 Appliance Connectors of Corrugated Metal Tubing and Fittings.
- ANSI Z21.45 Assembled Flexible Appliance Connectors of Other Than All-Metal Construction

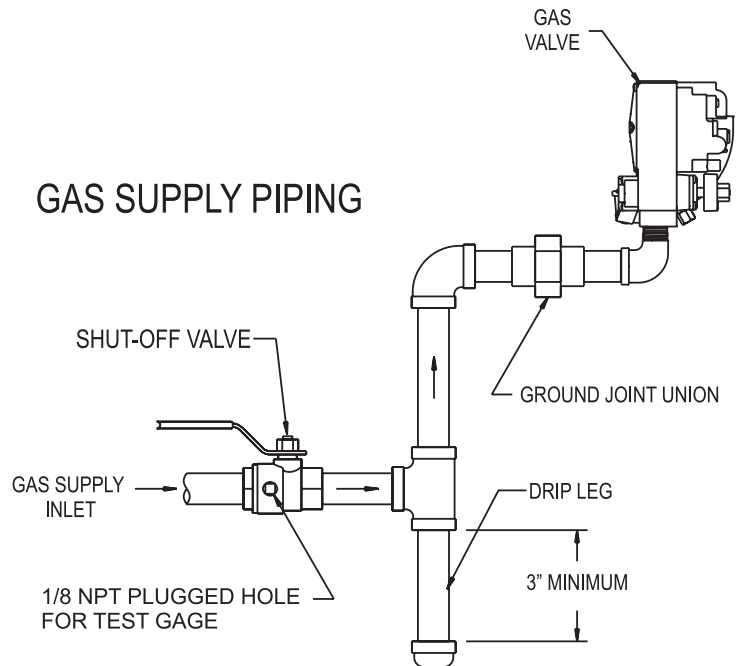
The above connectors may be used if acceptable by the authority having jurisdiction. The Commonwealth of Massachusetts requires that a flexible appliance connector cannot exceed three feet in length.

### FLEXIBLE GAS LINE CONNECTION



	Gas Supply Pressure (inches w.c.)			Manifold Pressure (inches w.c.)
	Minimum	Normal	Maximum	Normal (HI)
Natural Gas	4.5	7.0	14.0	3.5
Propane Gas	10.8	11.0	14.0	10.0

A gas valve and ground joint union should be installed in the gas line upstream of the gas control to aid in servicing. It is required by the National Fuel Gas Code that a drip leg be installed near the gas inlet. This should consist of a vertical length of pipe tee connected into the gas line that is capped on the bottom in which condensation and foreign particles may collect.



## 5.2 Installing a New Shut-Off Valve

Each fireplace should have its own manual gas shut-off valve. A manual main gas shut-off valve should be located in the vicinity of the fireplace. Where none exists, or where its size or location is not adequate, contact your local authorized installer for installation or relocation.

Compounds used on threaded joints of gas piping shall be resistant to the action of liquefied petroleum gases. The gas lines must be checked for leaks by the installer. This should be done with a soap solution watching for bubbles on all exposed connections, and if unexposed, a pressure test should be made.

**Never use an exposed flame to check for leaks. Fireplace must be disconnected from piping at inlet of control valve and pipe capped or plugged for pressure test.**

**Never pressure test with fireplace connected; control valve will sustain damage!**

**NOTICE:** The gas control is equipped with a captured screw type pressure test point therefore it is not necessary to provide a 1/8 inch test point up stream of the control.

When using copper or flex connector use only approved fittings. The fireplace and its individual shut-off valve must be disconnected from supply piping system during any pressure testing of that system at test pressures in excess of 1/2 psig (3.5 kPa).


The fireplace must be isolated from the gas supply piping system by closing its individual manual shut-off valve during any pressure testing of the gas supply piping system at test pressures equal to or less than 1/2 psig (3.5 kPa).

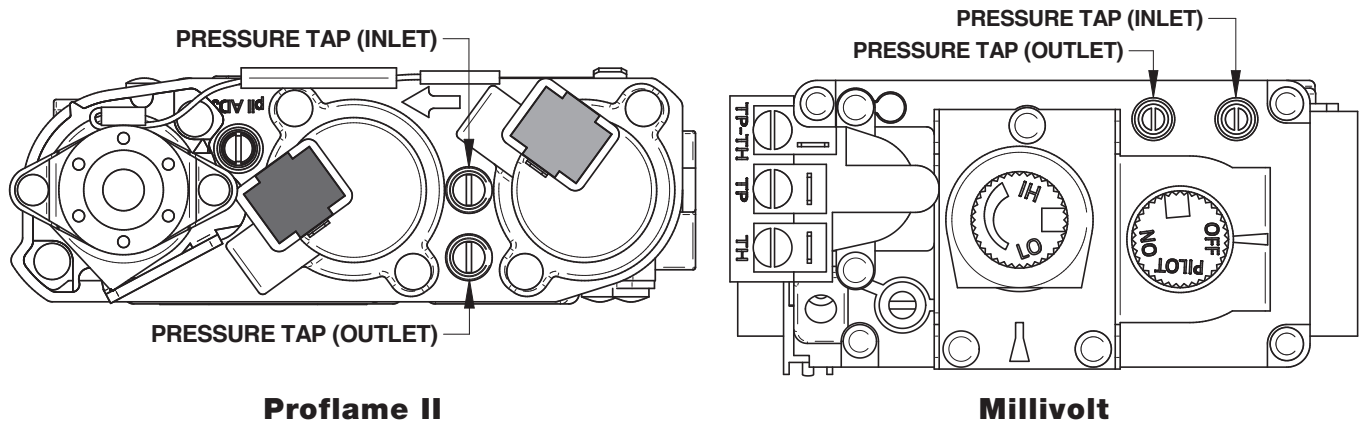
### 5.3 Checking Manifold Pressures

Both Propane and Natural Gas valves have a built-in pressure regulator in the gas valve.

Natural Gas models will have a manifold pressure of approximately 3.5 in w.c. (0.871 kPa) at the valve outlet with the inlet pressure to the valve from a minimum of 4.5 in w.c. (1.120 kPa) for the purpose of input adjustment to a maximum of 14.0 in w.c. (3.484 kPa).

Propane Gas models will have a manifold pressure approximately 10.0 in w.c. (2.49 kPa) at the valve outlet with the inlet pressure to the valve from a minimum of 10.8 in w.c. (2.68 kPa) for the purpose of input adjustment to a maximum of 14.0 in w.c. (3.484 kPa).

<b>CAUTION</b>	
	<p><b>If one of the procedures results in pressures in excess of 1/2 psig (14 in w.c.) (3.5 kPa) on the fireplace gas valve, it will result in a hazardous condition.</b></p>

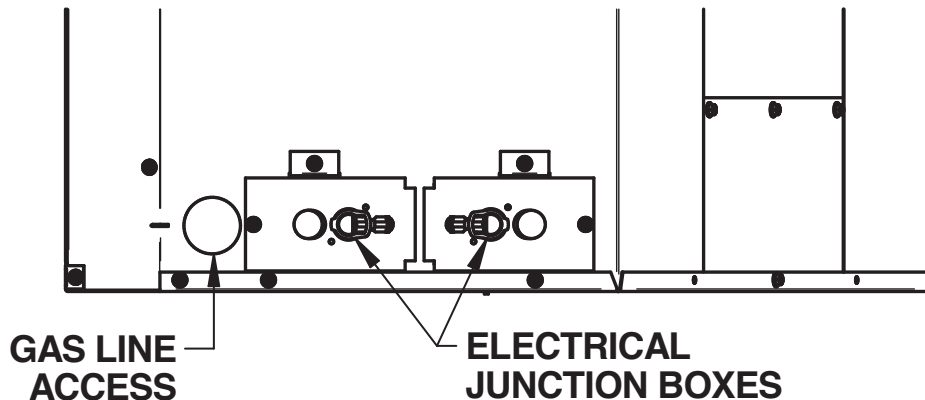


GAS / ELECTRIC

### 5.4 Gas Line Connection

Remove the access panel from the right side of the fireplace to access the gas valve, gas flex line, junction box, and system wiring.

Attach the gas flex line to the pre-installed gas line. Refer to the Gas Supply section in this manual for details on the installation requirements for the gas supply line.




ENGLISH

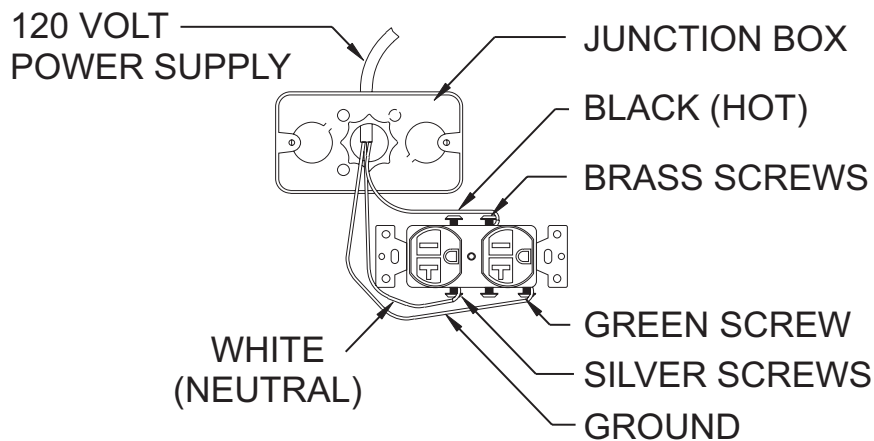


## 6. Electrical Connections

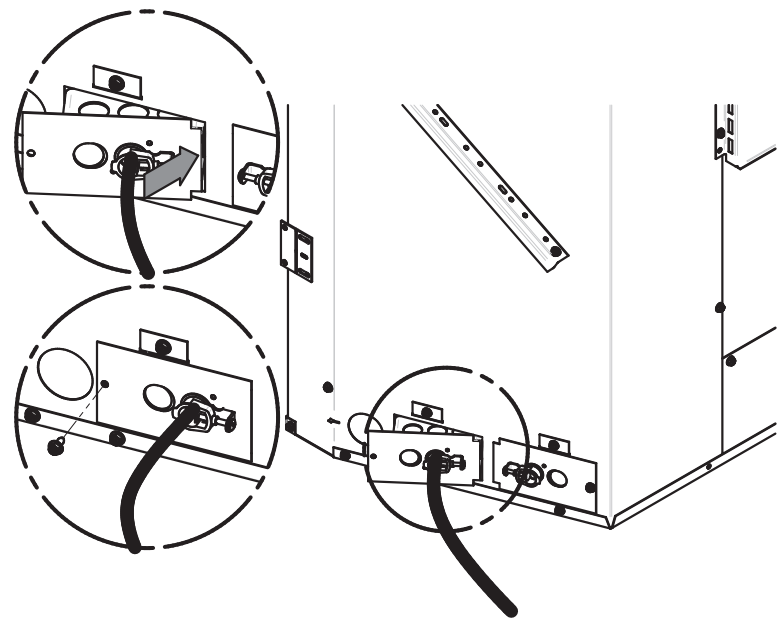
A junction box can be found in the user manual and must be installed on the lower right side of the fireplace. Wiring must be fed to the junction box and attached to the receptacle that is provided. Leave approximately 6 in of wire in the junction box for connection.

<b>CAUTION</b>	
	<b>All wiring should be done by a qualified electrician and shall be in compliance with all local, city and state building codes. Before making the electrical connection, make sure that the main power supply is disconnected. The fireplace, when installed, must be electrically grounded in accordance with local codes, or in the absence of local codes, with the National Electrical Code ANSI/NFPA 70 (Latest Edition).</b>

### 6.1 Junction box connections

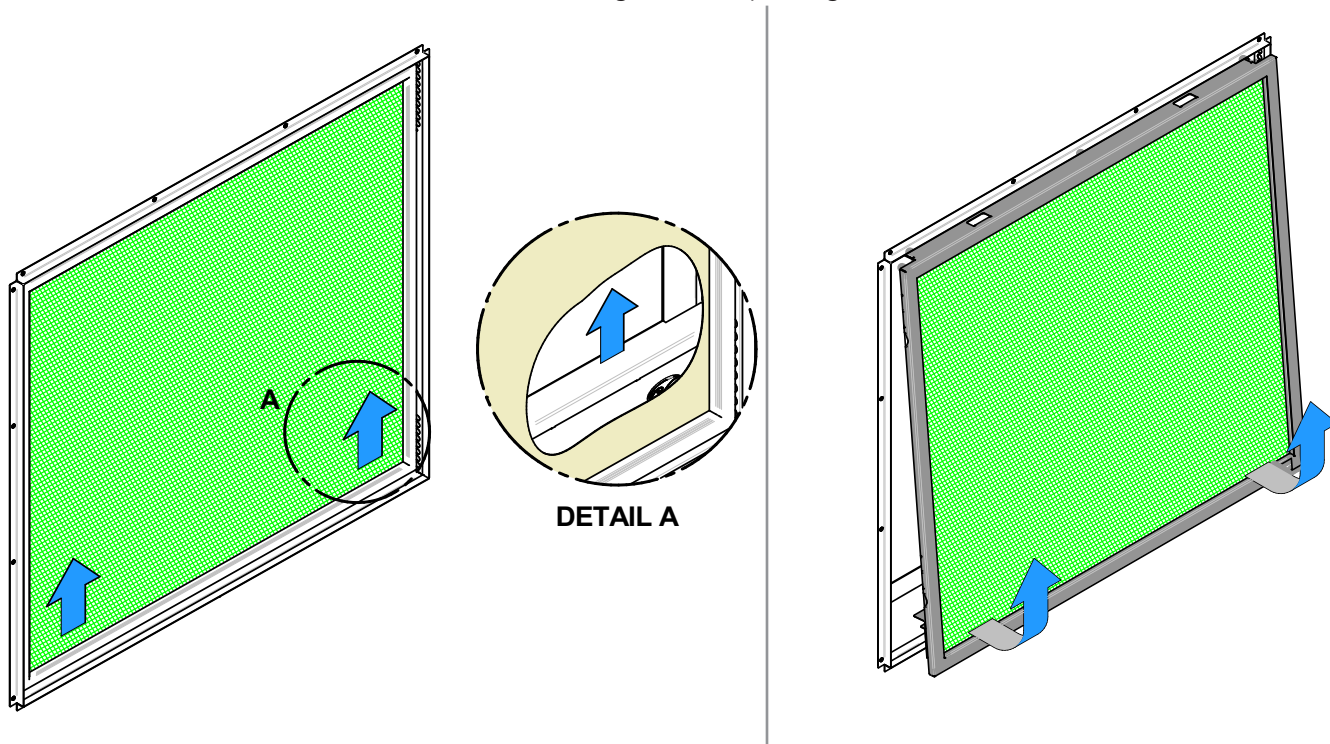


1. Attach black wire to one side of the receptacle (brass screws) and white wire to opposite side of receptacle (silver screws). The ground wire should be attached to the green (ground) screw.
2. Install the receptacle into the junction box. Attach cover plate. After the wiring is completed to the junction box and receptacle, install the junction box to the lower right side of the fireplace.
3. Insert the top flange of the retainer bracket into the slot on the fireplace. Rotate the junction box assembly downward, and secure with a screw below the junction box.
4. Once the Junction box has been installed with the receptacle outlets facing inward towards the fireplace, locate the 3-prong power cord from the control module and plug into the receptacle.

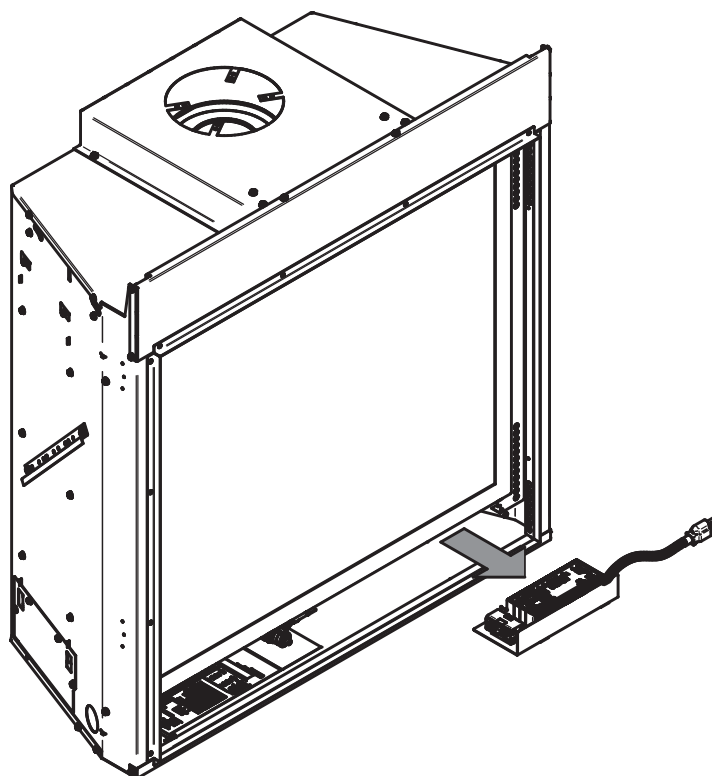


## 6.2 Control Module Access

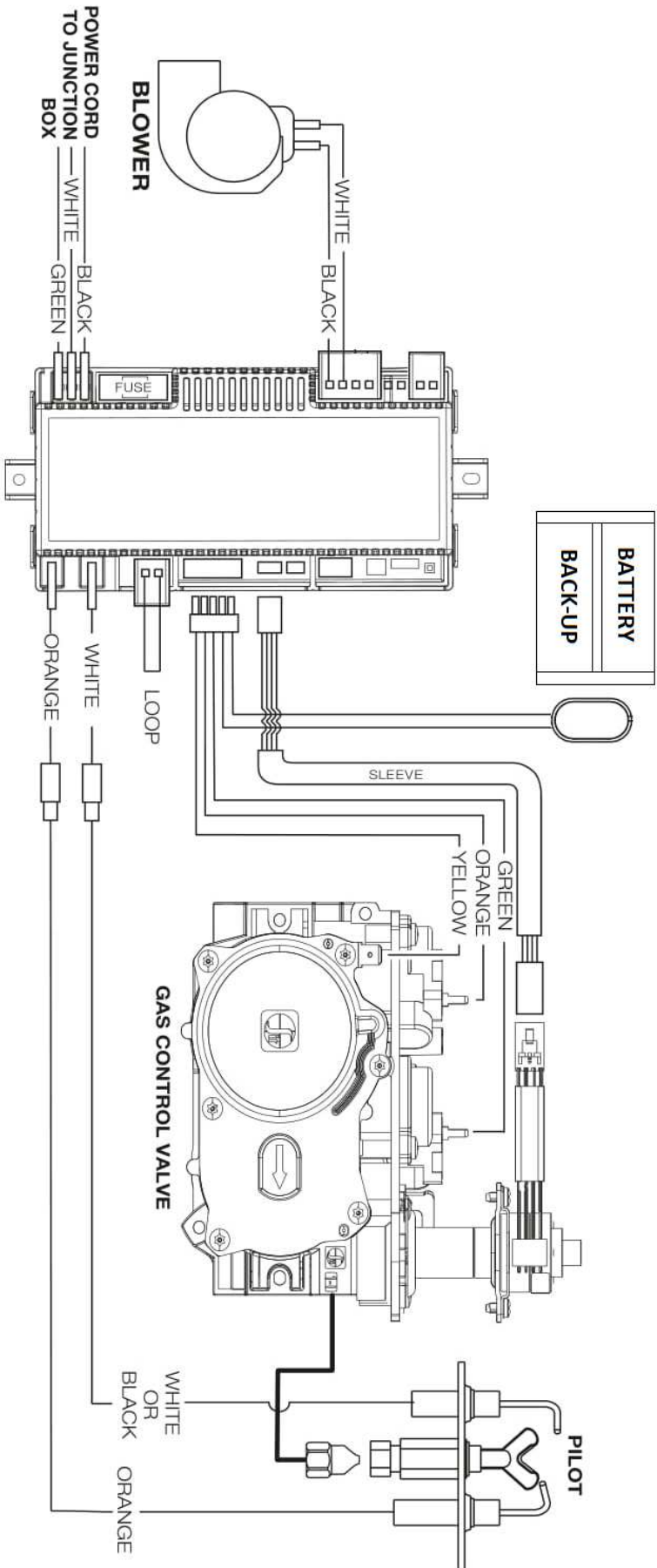
To access the control module for servicing, remove the barrier screen. The control module is located in the bottom right side opening.



The control module is located to the fireplace bottom with Velcro®, and can be lifted up to access the module wiring connections.



## 6.3 Proflame II Wiring Diagram

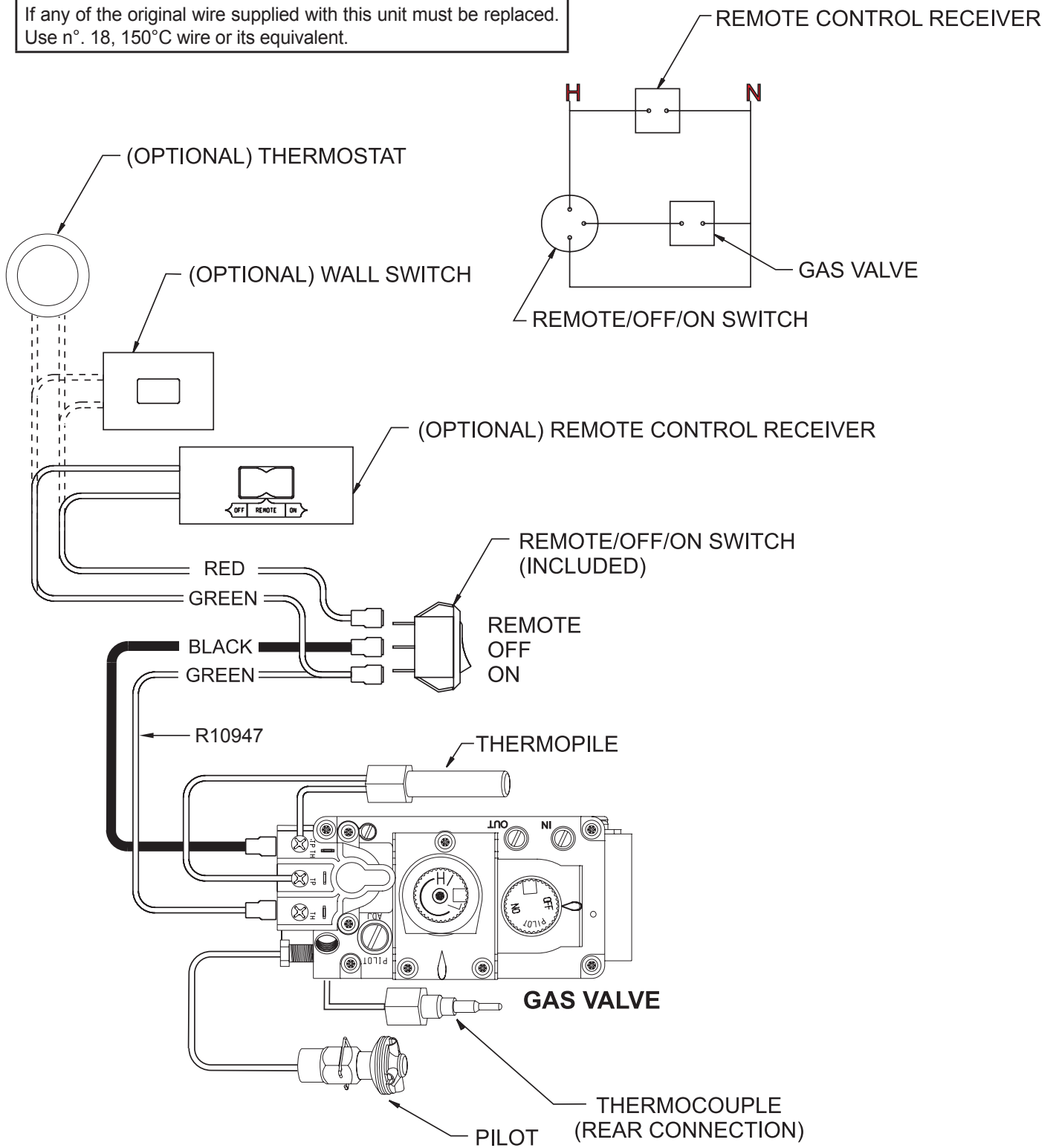


- Notes:**
- Connect wires in junction box on the right side of the fireplace to house power using the supplied wire nuts.
  - Replacement wire must be of the same size and type of insulation as original.
  - The appliance must be electrically connected and grounded in accordance with local codes or, in the absence of local codes, with the current NFPA 70-National Electric Code or CSA C22.1-canadian Electrical Code.
  - Label all wires prior to disconnection when servicing controls. Wiring errors can cause improper and dangerous operation. Certify proper operation after servicing.

## 6.4 Millivolt Wiring Diagram

### WIRING

If any of the original wire supplied with this unit must be replaced. Use n°. 18, 150°C wire or its equivalent.



This fireplace is only for use with the type of gas indicated on the rating plate and may be installed in an aftermarket, permanently located, manufactured (mobile) home where not prohibited by local codes. This fireplace is not convertible for use with other gases, unless a certified kit is used.

**WARNING**



**Electrical Grounding Instructions**

**This fireplace is equipped with a three-prong grounding plug for your protection against shock hazard and should be plugged directly into a properly grounded three-prong receptacle. Do not cut or remove the grounding prong from this plug.**

**CAUTION**



**Label all wires prior to disconnection when servicing controls. Wiring errors can cause improper and dangerous operation.**

**Verify proper operation after servicing.**

**CAUTION**



**Do not operate the fireplace with glass panel removed, cracked or broken. Replacement of the panel should be done by a licensed qualified service person.**

**WARNING**



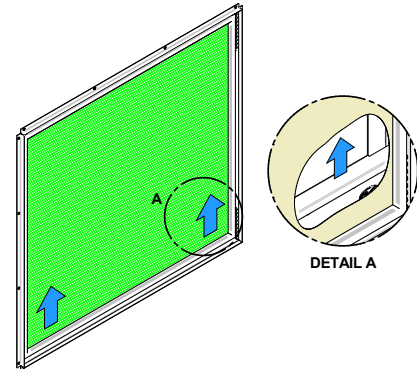
**Improper installation, adjustment, alteration, service or maintenance can cause property damage, personal injury or loss of life. Installation and service must be performed by a qualified installer, service agency or the gas supplier.**

## 7. Invisimesh barrier and glass door removal

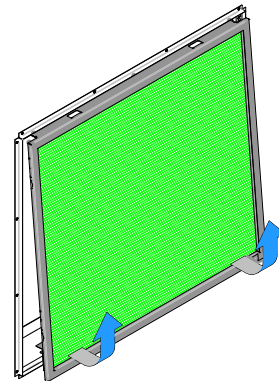
### CAUTION

The *Invisimesh* barrier must be handled with care. It is made as invisible as possible. A slight deformation could impair its invisibility properties. Avoid putting pressure on the mesh and make sur the screen weight is never supported by the mesh.

1. Grab the *Invisimesh* screen from the bottom and rotate it 1/4" (6 cm) to undo the tabs from the glass screen.



2. Grab the top part of the screen and push upwards, then pull towards the outside to remove the glass door.



### CAUTION



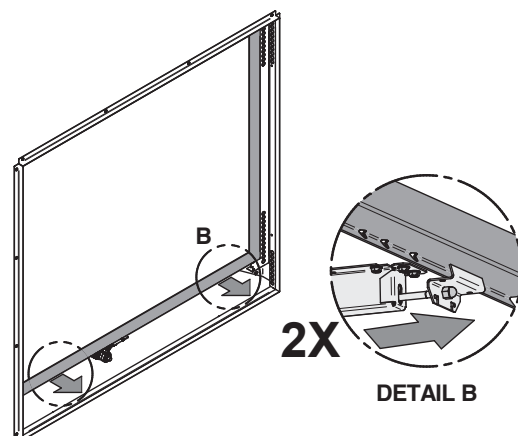
The glass door is wide and heavy and can be difficult to install or remove by a single person. It is recommended that two people remove the glass door.

### CAUTION

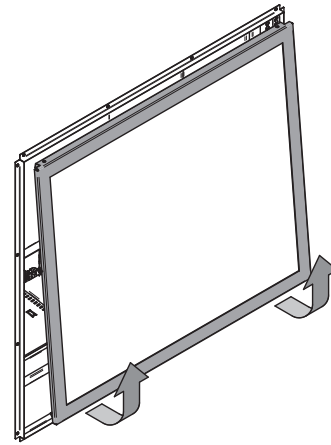


Sharp objects. Gloves are strongly recommended.

3. Pull on the spring clips under the firebox to release the bottom of the glass frame.



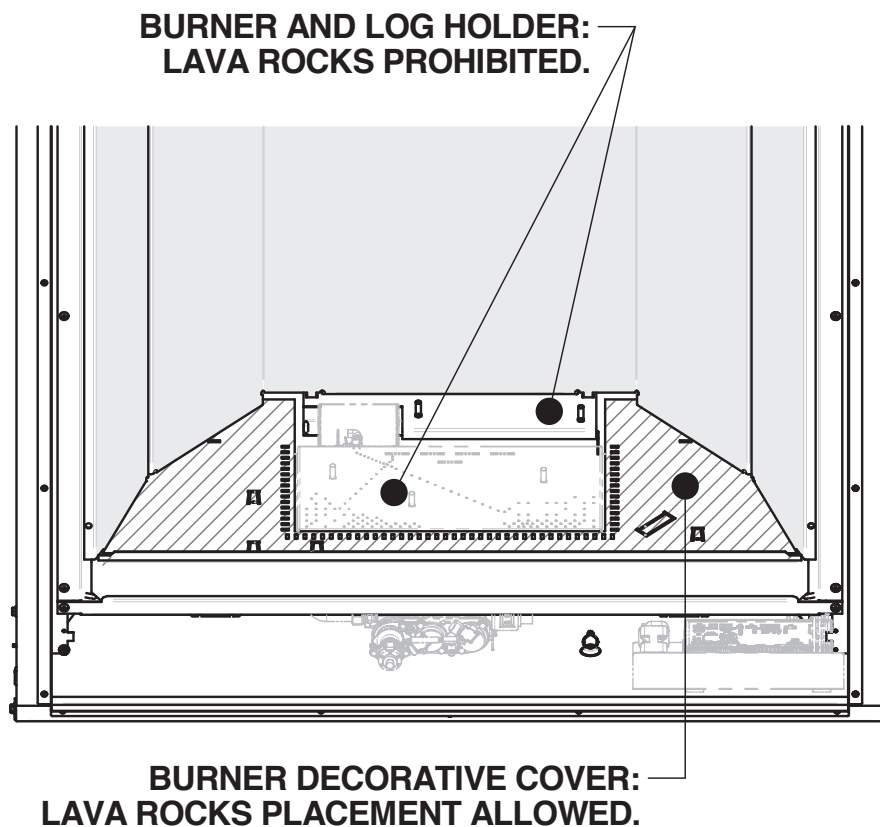
4. Rotate the screen door towards the outside at about 6 or 8 in (15-20 cm) then lift it up the release it from the tabs located at the top of the fireplace.



## 8. Volcanic stones Installation (AC04381)

If the finish trim were not installed yet, STOP now and install one before placing the volcanic stones.

1. Install the log set (AC04302) according to the instructions
2. Spread the volcanic stones equally on the burner cover. The volcanic stones should not cover the burner nor the log support.



## APPENDIX 1: ACCESSORIES

The following accessories must be purchased separately. Their installation instructions are included in their kit and can be found on Valcourt website, in the options/Accessories section of this fireplace's page.

Description	Color	Code
-------------	-------	------

### REQUIRED ACCESSORIES

5 porcelain panels <sup>5</sup>	Black	AC04300
3 Rustic panels <sup>5</sup>	---	AC04301
5 Steel Panels <sup>5</sup>	Black	AC04305
3 Herringbone panels <sup>5</sup>	---	AC04351
Volcanic stones - 2.25 lbs	---	AC04381
Driftwood with luminescent wool <sup>6</sup>	---	AC04302
Birch log set with luminescent wool <sup>6</sup>	---	AC04352

### OPTIONS

Regular Finishing Trim <sup>7</sup>	Black	AC04306
Large Finishing Trim <sup>7</sup>	Black	AC04307
Variable Speed Blower	---	AC04380
LP to NG Conversion Kit (PRO)	---	AC04303
NG to LP Conversion Kit (PRO)	---	AC04364

5. Prior using the fireplace, one of the panel kit must be installed.

6. Prior using the fireplace, one of the log set must be installed.

7. Only one finishing trim is required.





# *Valcourt*

This document is available for free download on the manufacturer's website. It is a copyrighted document. Resale is strictly prohibited. The manufacturer may update this document from time to time and cannot be responsible for problems, injuries, or damages arising out of the use of information contained in any document obtained from unauthorized sources.

Stove Builder International inc.  
250, rue de Copenhague,  
St-Augustin-de-Desmaures (Québec) Canada  
G3A 2H3  
418-908-8002  
[www.sbi-international.com](http://www.sbi-international.com)  
[tech@valcourtinc.com](mailto:tech@valcourtinc.com)