



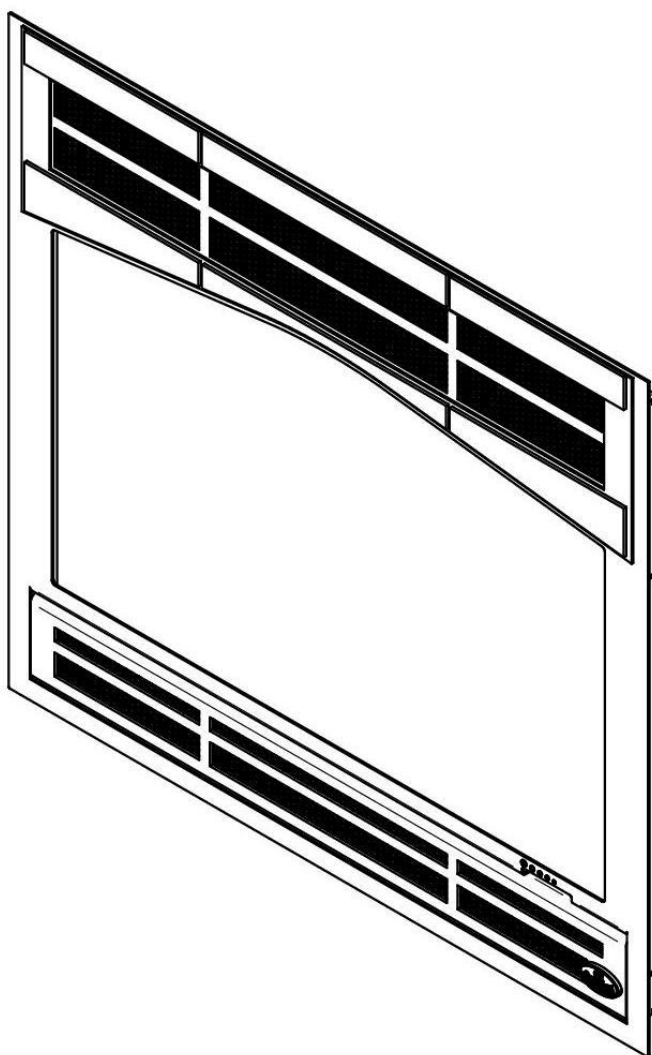
**BEYOND**  

---

fire

# ***HORIZON STEEL FACEPLATE***

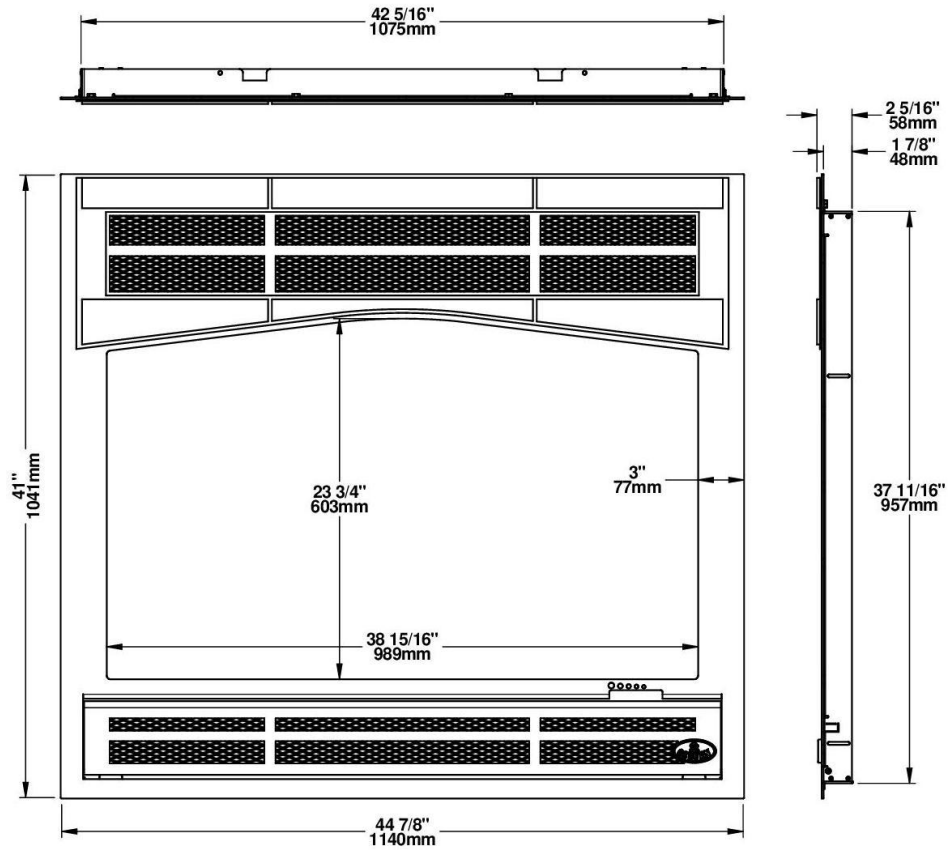
## **OA10630 PRAIRIE STYLE FACEPLATE**



**This faceplate assembly contains the following part:**

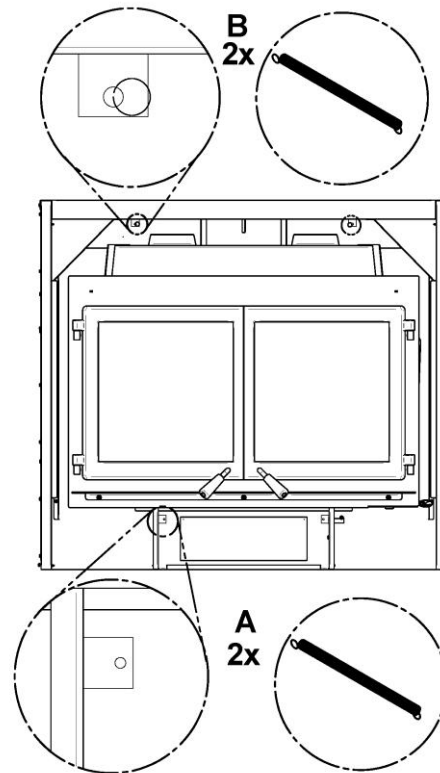
- Steel faceplate already assembled (1X)

## DIMENSIONS

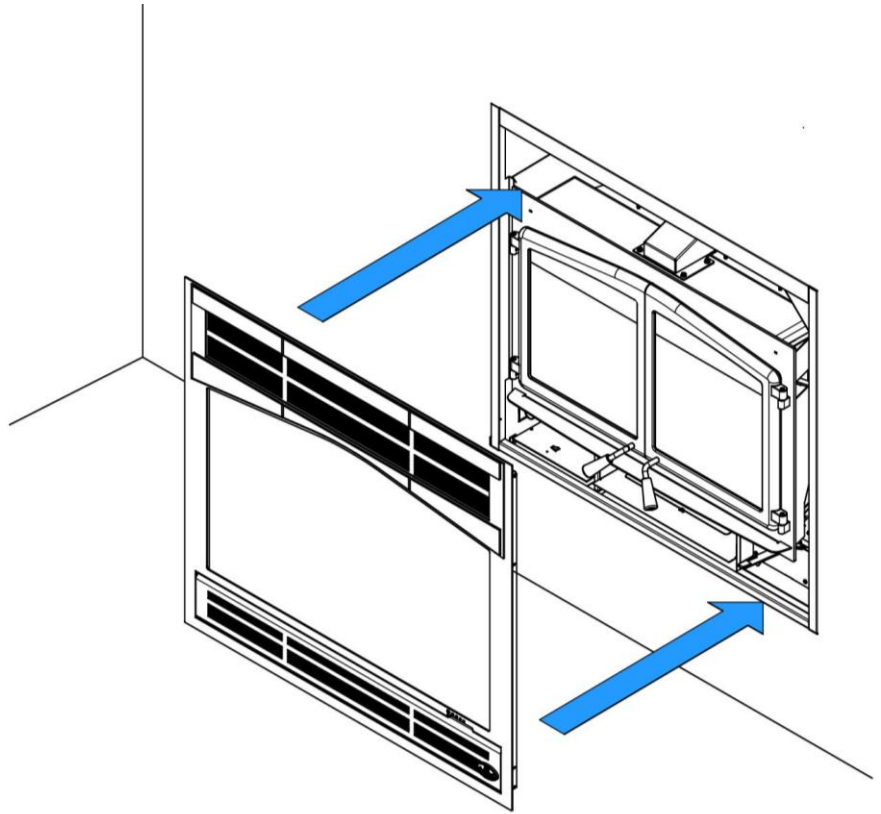


## Installation Instructions

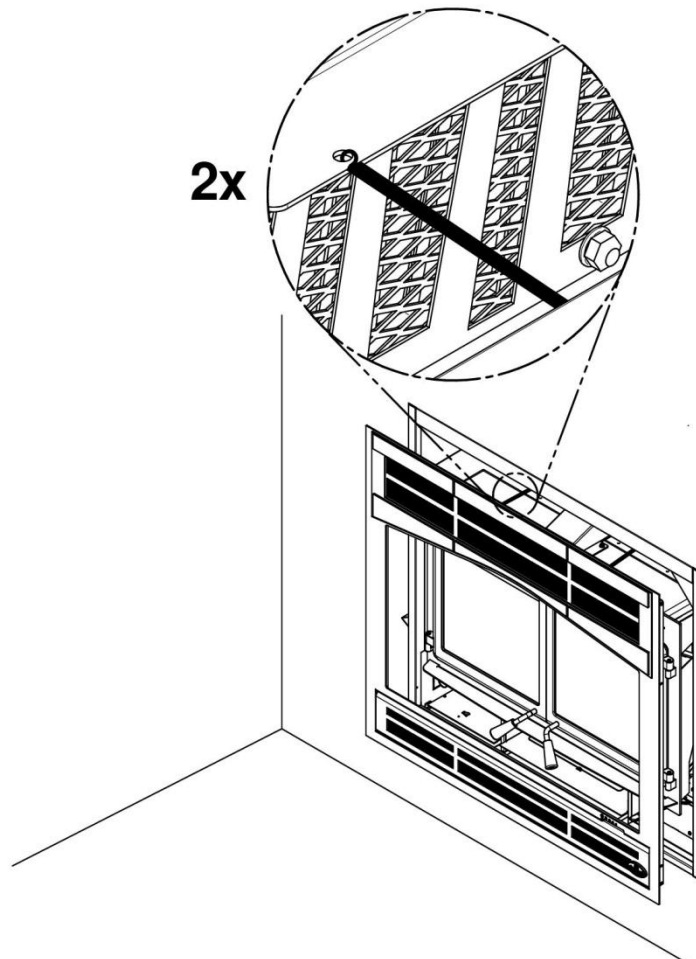
1. Locate the bottom springs **(A)**.
2. Fix the top springs **(B)** provided in the fireplace owner's manual.



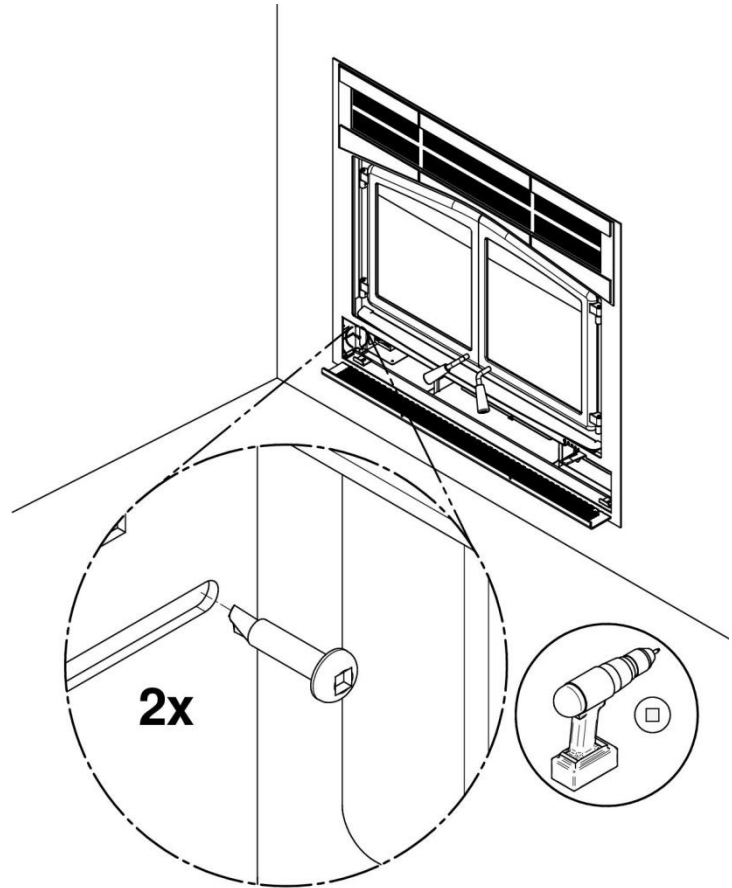
3. Bring the faceplate close to the fireplace.



4. Attach the upper springs on the faceplate to hold it in place.



5. Firmly push the faceplate against the fireplace. Using a power driver, secure the bottom with 2 self-tapping screws (one on each side) provided with the fireplace owner's manual.



6. Attach the bottom springs to the lower louver.

