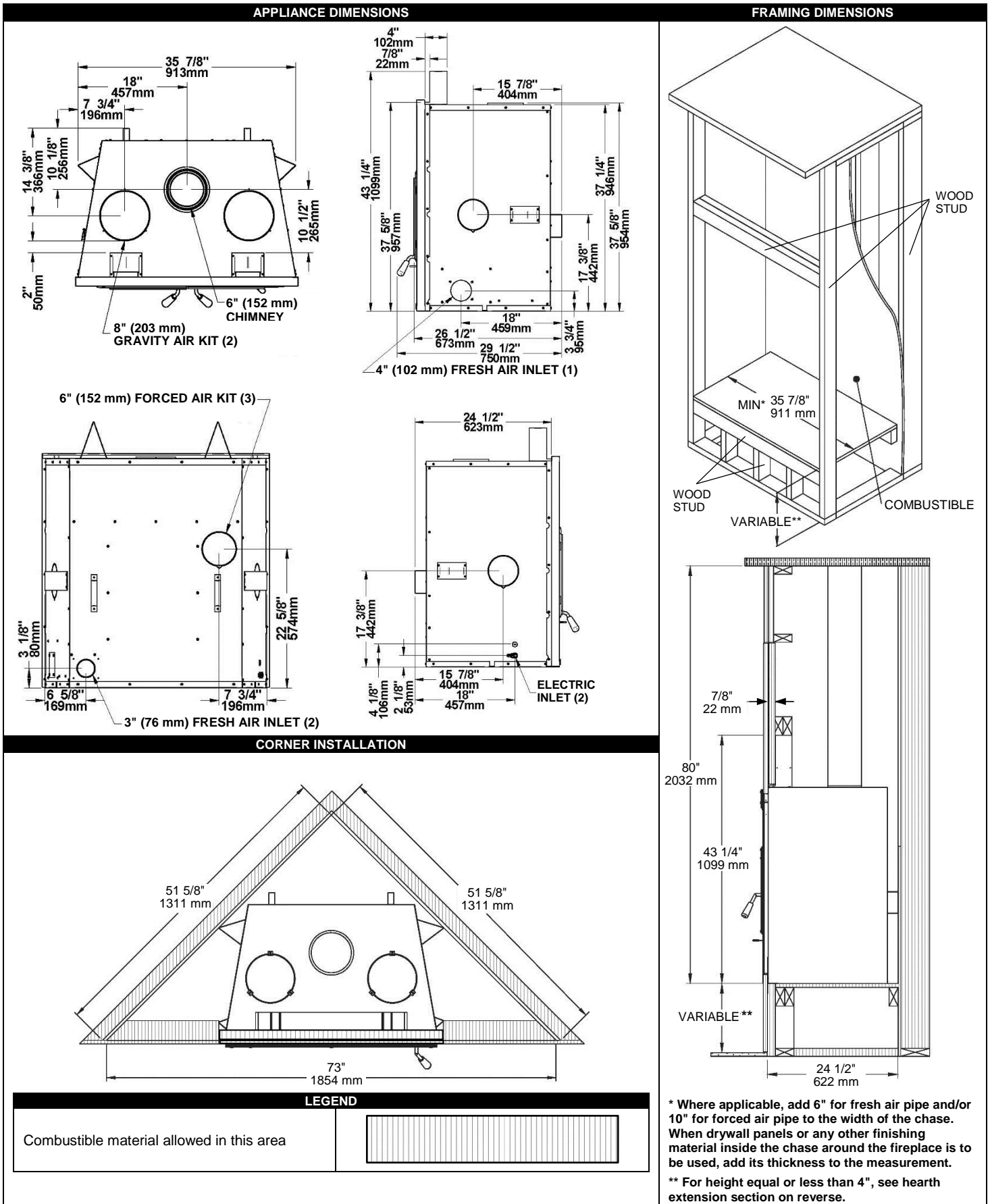
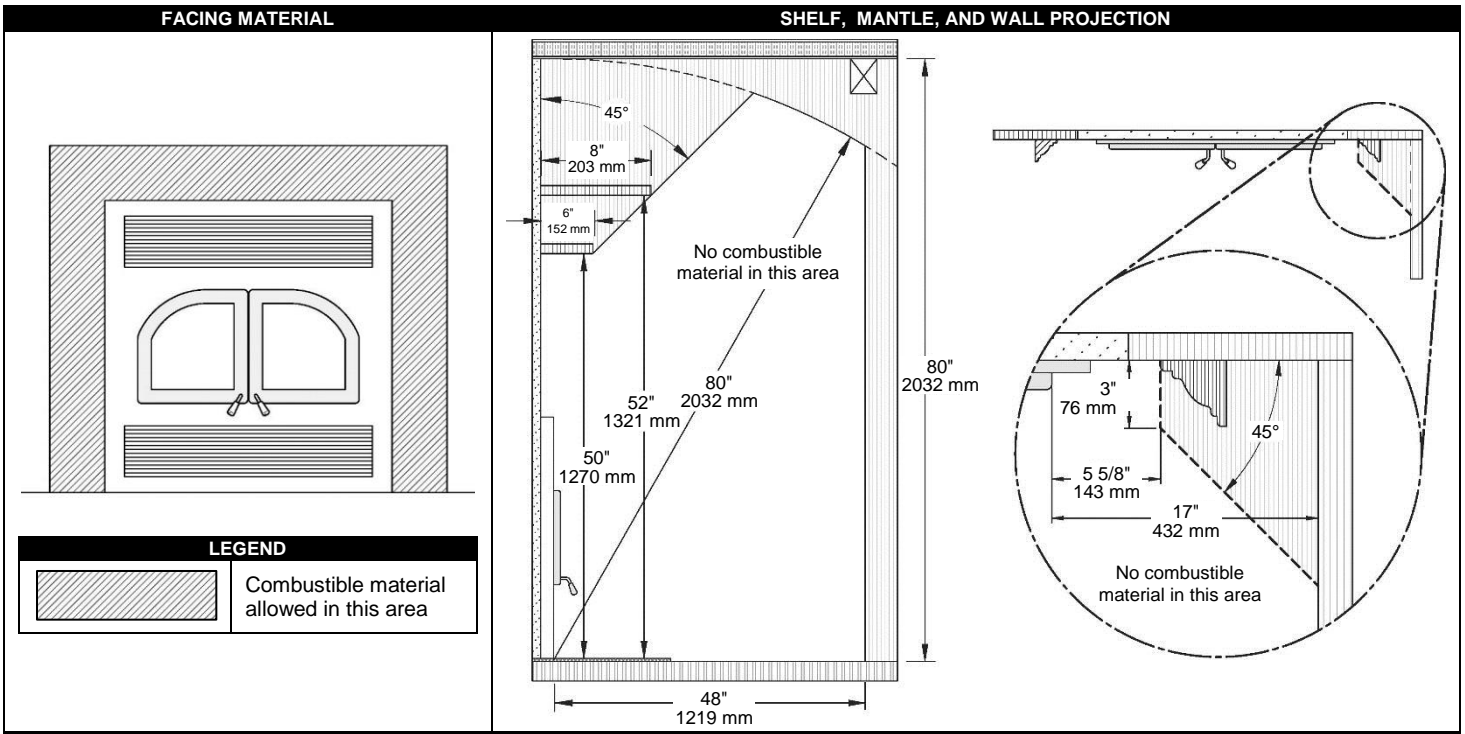


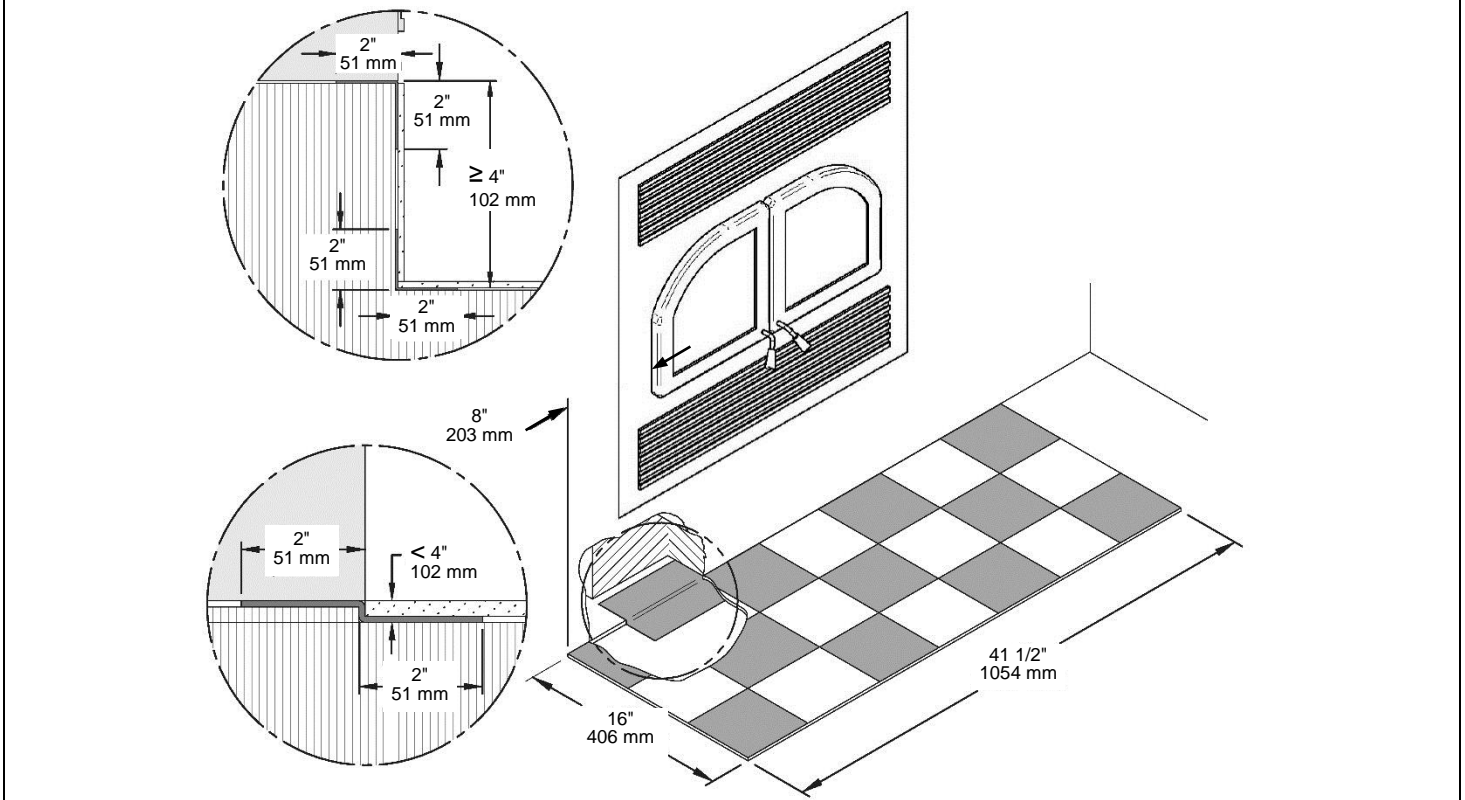
THIS QUICK REFERENCE PRODUCT SHEET IS NOT COMPLETE AND IS SUBJECT TO CHANGE WITHOUT NOTICE. ALWAYS REFER TO OWNER'S MANUAL ACCOMPANYING THE PRODUCT TO AVOID RISK OF FIRE AND INJURIES. ADDITIONAL INFORMATION CAN BE FOUND IN THE OWNER'S MANUAL ONLINE AT WWW.ENERZONE-INTL.COM.



THIS QUICK REFERENCE PRODUCT SHEET IS NOT COMPLETE AND IS SUBJECT TO CHANGE WITHOUT NOTICE. ALWAYS REFER TO OWNER'S MANUAL ACCOMPANYING THE PRODUCT TO AVOID RISK OF FIRE AND INJURIES. ADDITIONAL INFORMATION CAN BE FOUND IN THE OWNER'S MANUAL ONLINE AT WWW.ENERZONE-INTL.COM.



HEARTH EXTENSION CONSTRUCTION AND DIMENSIONS



If fireplace is installed directly on the floor or on a raised base of less than or equal to 4", an R-value equal to or greater than 1.00 for the hearth extension is required. Use 1/2" Micore or refer to manual for equivalent insulation.

LEGEND			
Combustible material allowed in this area		Non-combustible material only in this area	