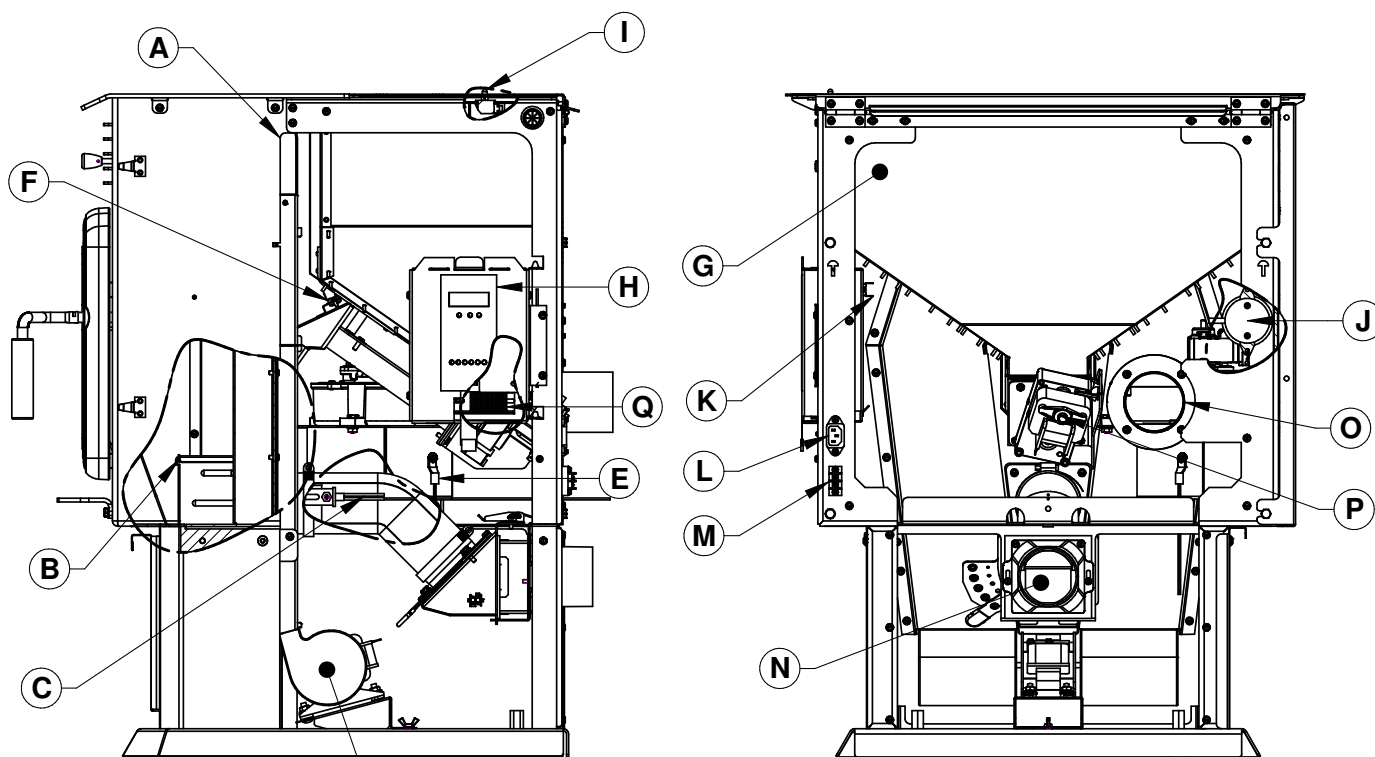


# COMPONENTS LOCATION



LETTER	COMPONENTS	LETTER	COMPONENTS
A	HEAT EXCHANGER TUBES	L	POWER CORD RECEPTACLE
B	BURN POT	M	THERMOSTAT TERMINAL BLOCK
C	IGNITOR	N	COMBUSTION BLOWER/FRESH AIR INTAKE
D	CONVECTION BLOWER	O	EXHAUST BLOWER
E	THERMISTOR	P	AUGER
F	L-250 THERMAL SWITCH	Q	PC BOARD
G	HOPPER		
H	CONTROL PANEL		
I	HOPPER SAFETY SWITCH		
J	PRESSURE SWITCH		
K	F-160 THERMAL SWITCH		

## NOTE

For part numbers, visit our website at: <https://www.osburn-mfg.com/en/replacement-parts/>